

[54] FIREPLACE INSERT

[76] Inventor: James A. Morande, Jr., 14 Wesleyan Rd., Glastonbury, Conn. 06033

[\*\*] Term: 14 Years

[21] Appl. No.: 137,319

[22] Filed: Apr. 4, 1980

[51] Int. Cl. .... D23-03

[52] U.S. Cl. .... D23/94

[58] Field of Search ..... D23/92-97, D23/127, 128; D7/208; 126/120, 121, 123, 135-139, 126, 128, 140, 192, 197, 202

[56] References Cited

U.S. PATENT DOCUMENTS

D. 247,973	5/1978	Bergstrom	.....	D23/94
D. 253,964	1/1980	Buckner	.....	D23/94
D. 255,830	7/1980	Hansen	.....	D23/95
D. 256,321	8/1980	Mancarella	.....	D7/208
4,219,005	8/1980	Boahn	.....	D23/94 X

Primary Examiner—Catherine E. Kemper  
Attorney, Agent, or Firm—McCormick, Paulding & Huber

[57] CLAIM

The ornamental design for a fireplace insert, as shown and described.

DESCRIPTION

FIG. 1 is a perspective view of a fireplace insert showing my new design.

FIG. 2 is a front elevational view thereof.

FIG. 3 is a left side elevational view thereof.

FIG. 4 is a vertical sectional view through the fireplace insert of FIG. 3, being taken generally on the line 4-4 of that view.

FIG. 5 is a top view thereof.

FIG. 6 is a bottom view thereof.

FIG. 7 is a rear elevational view thereof.

FIG. 8 is a vertical sectional view through the fireplace insert of FIG. 5, being taken generally on the line 8-8 of that view.

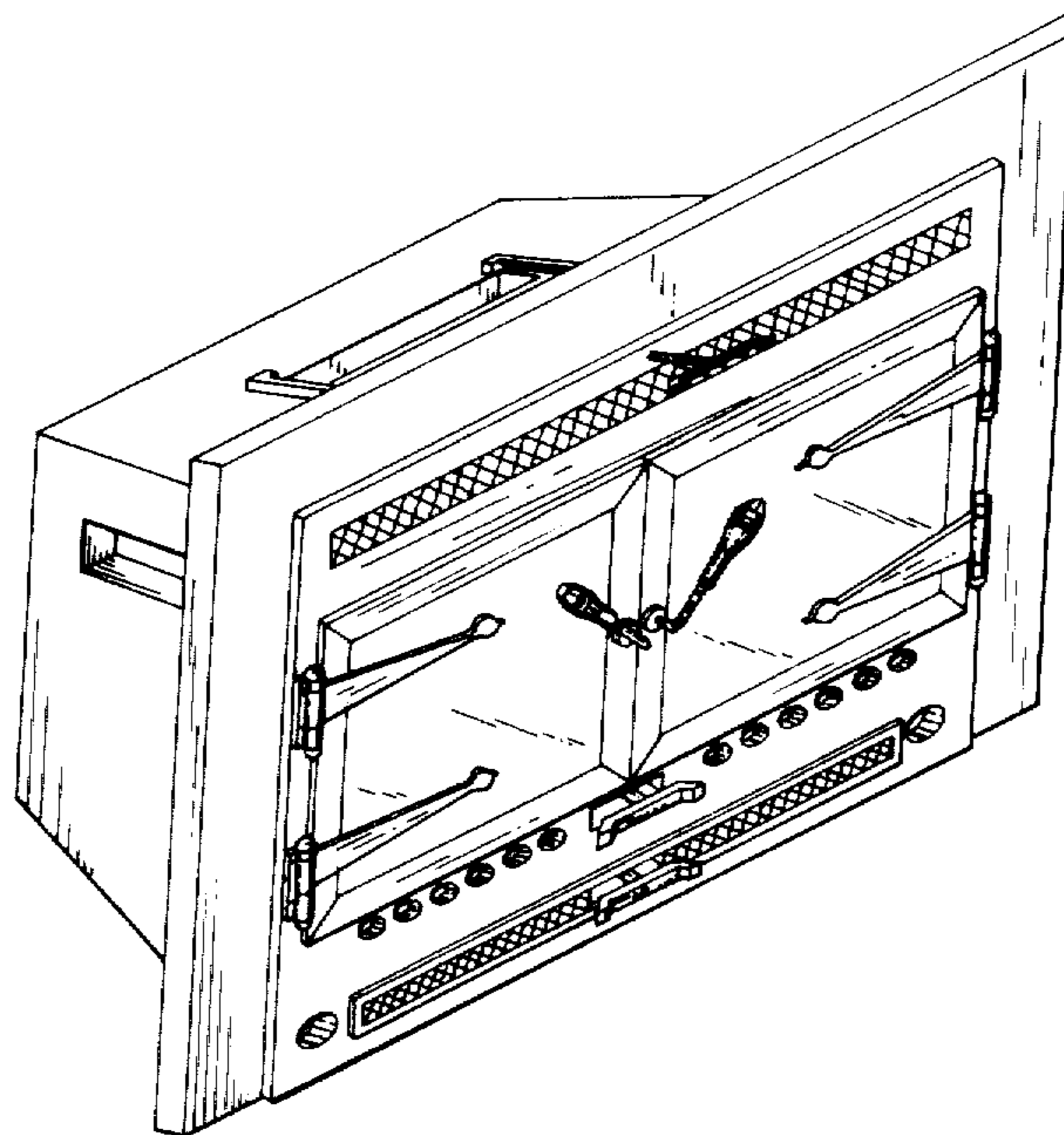


FIG. 1

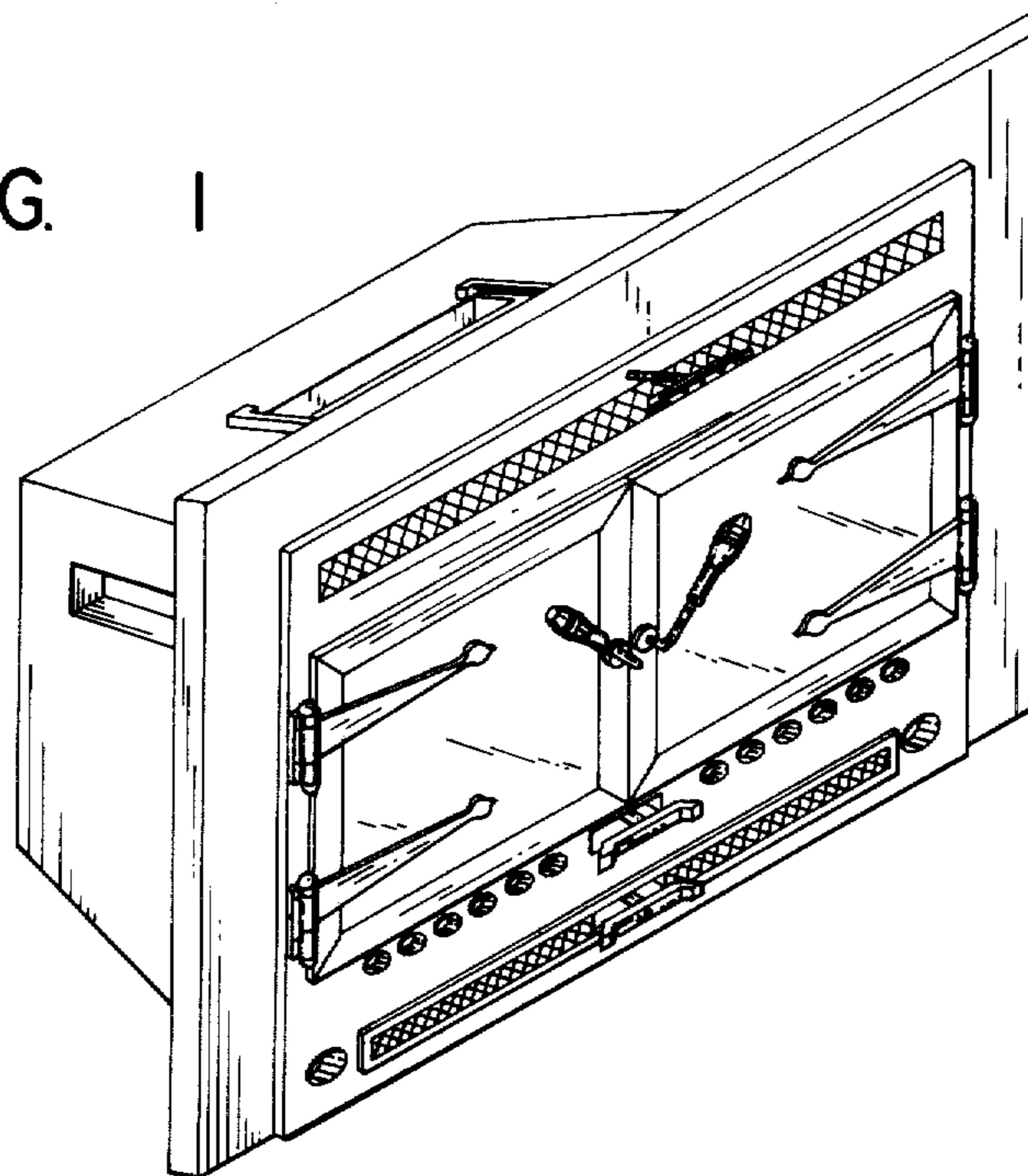


FIG. 2

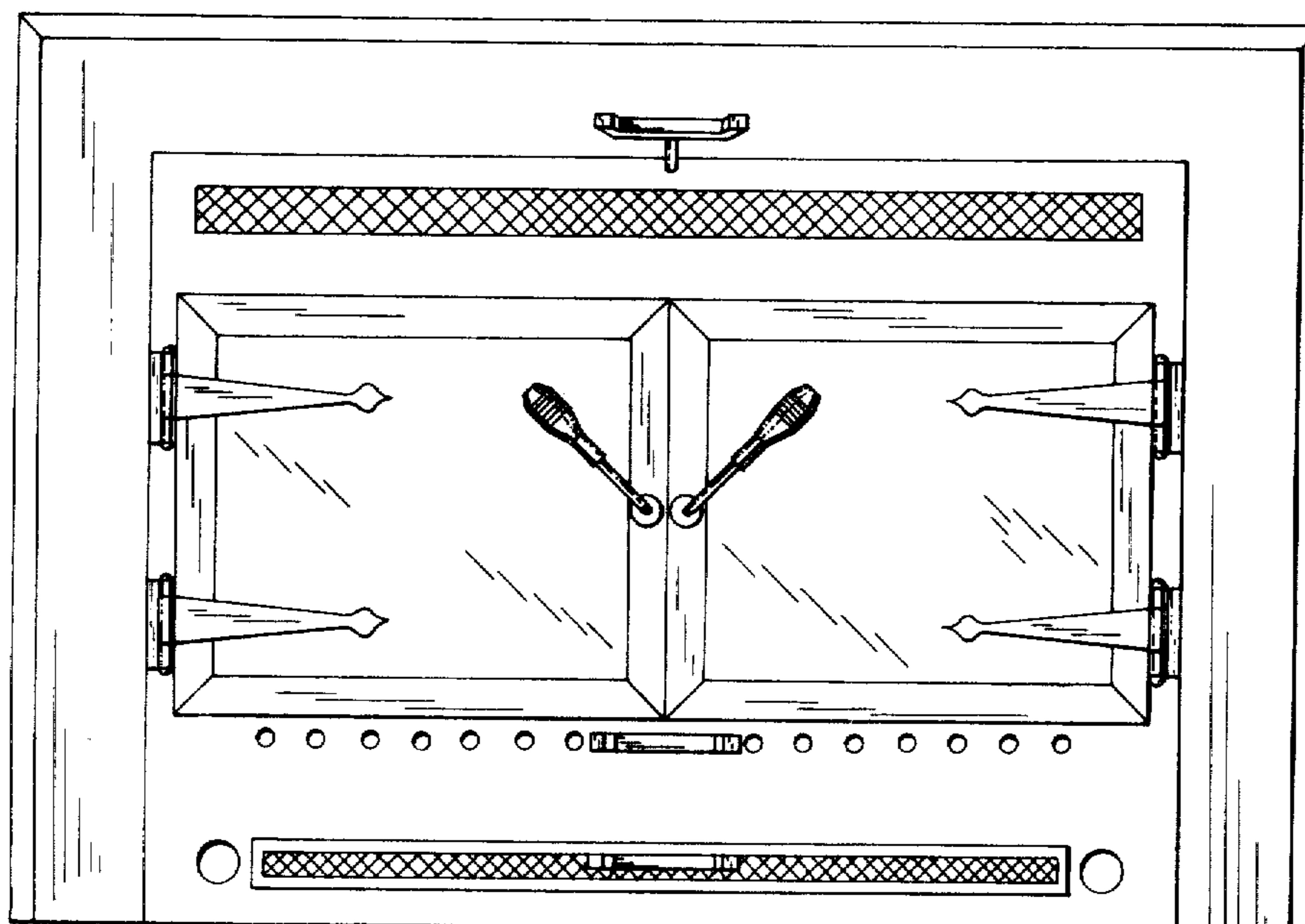


FIG. 3

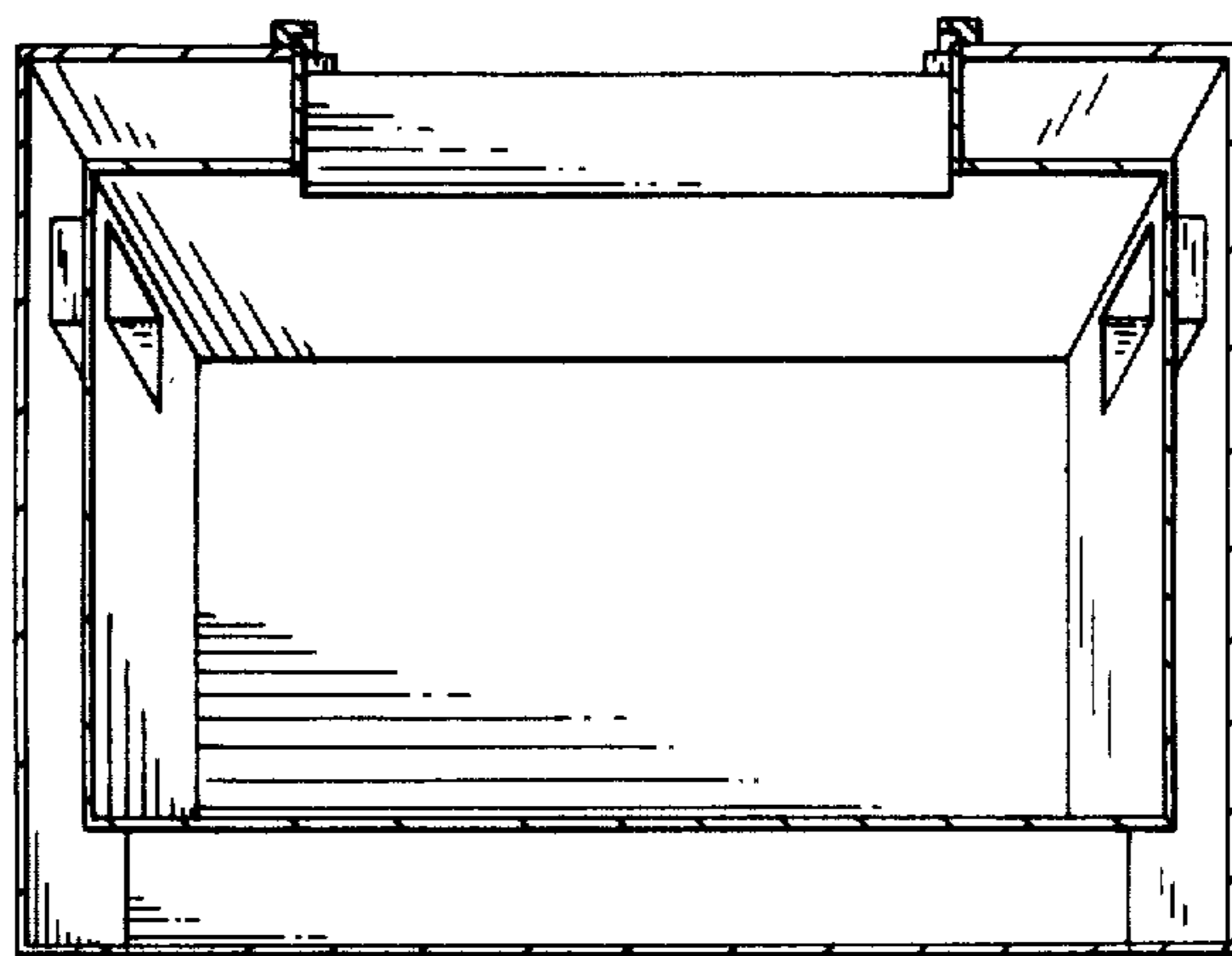
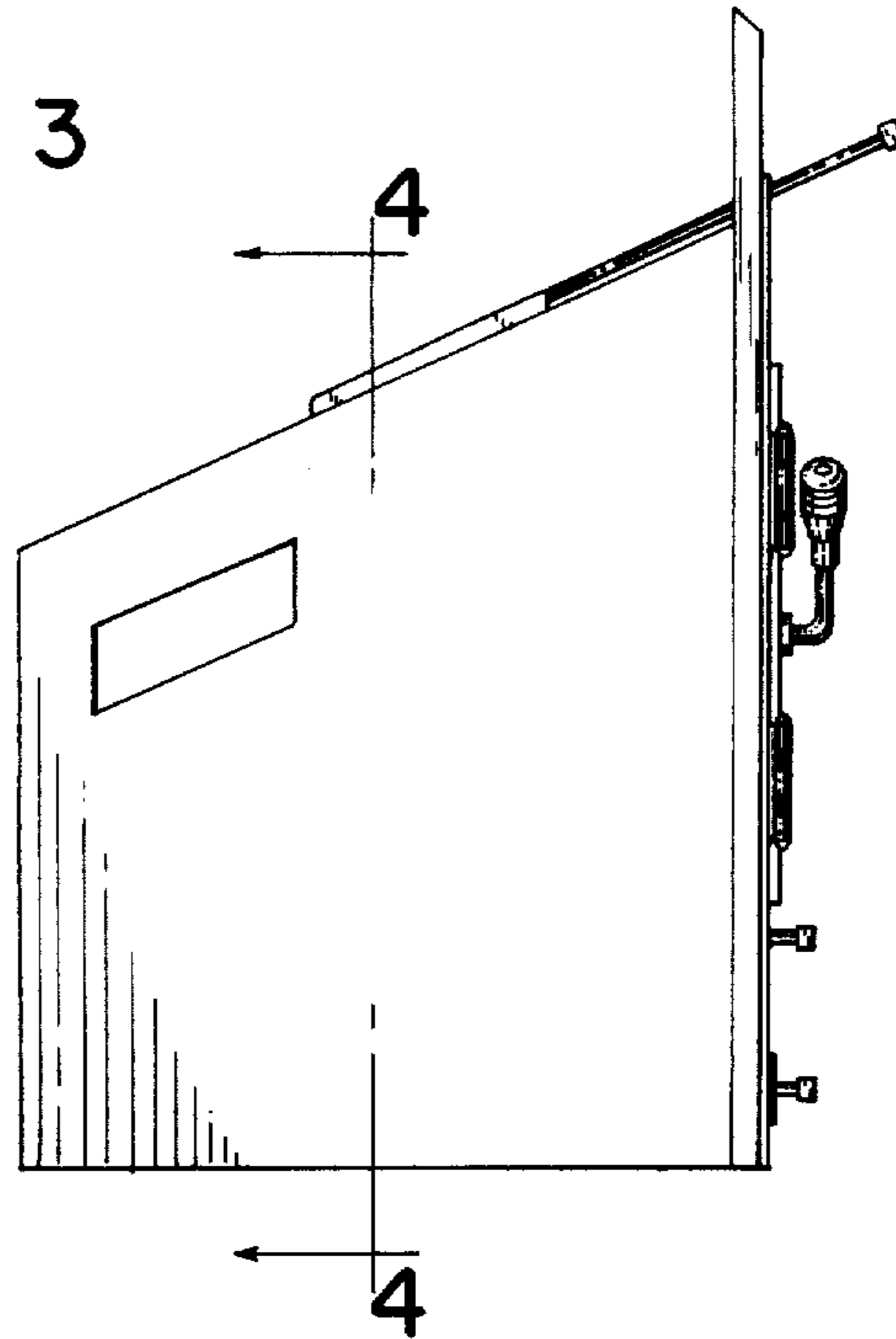


FIG. 4

FIG. 5

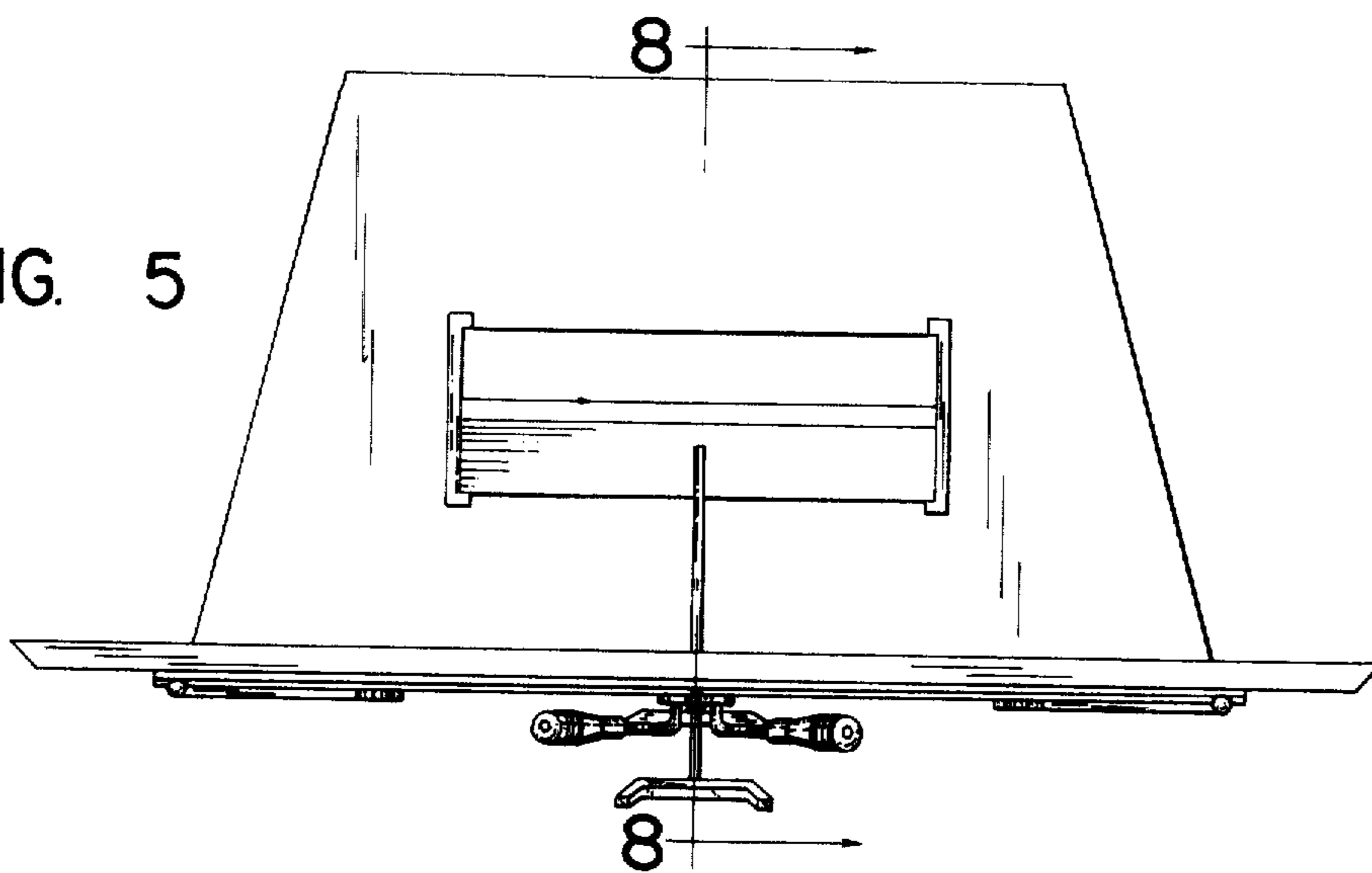


FIG. 6

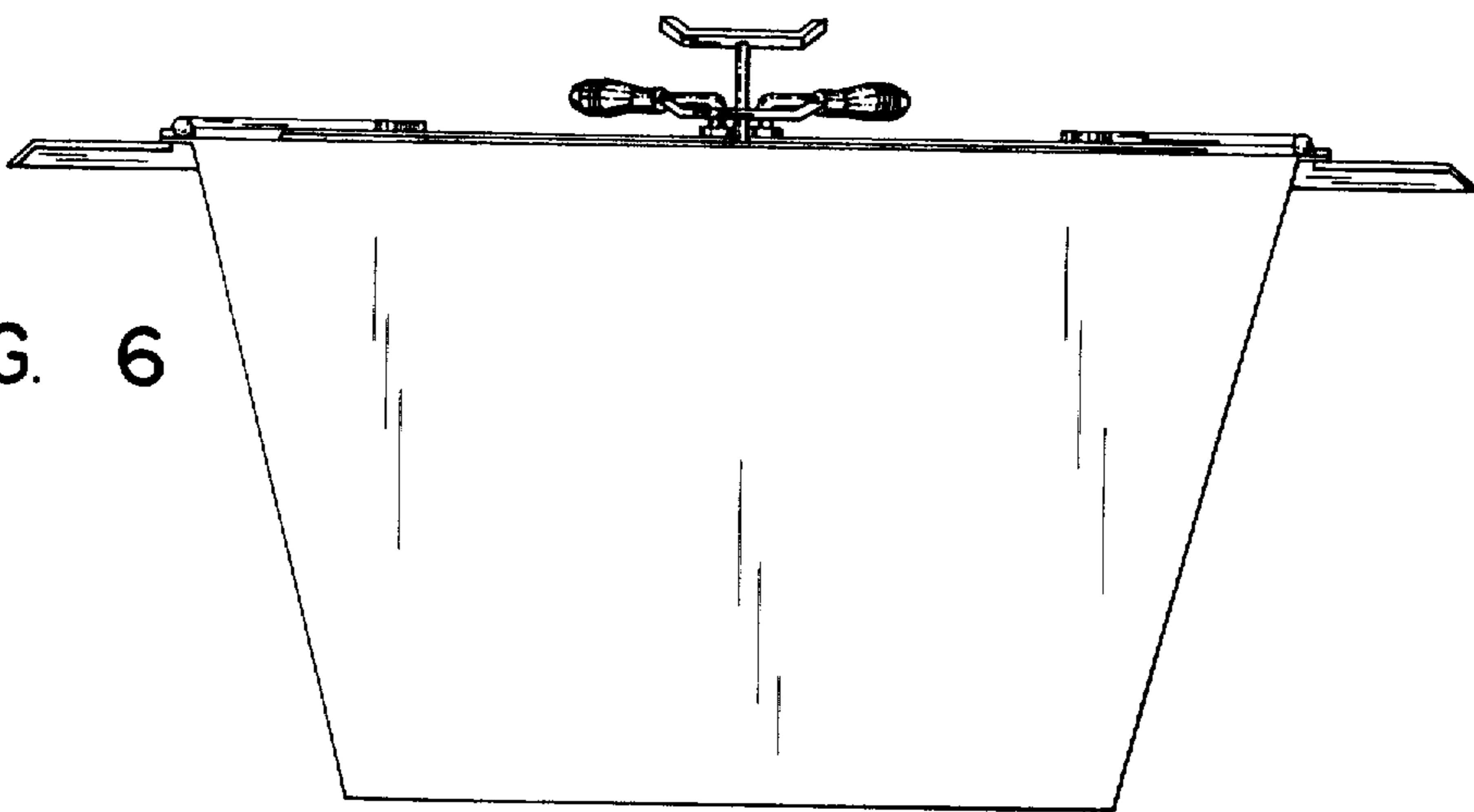


FIG. 7

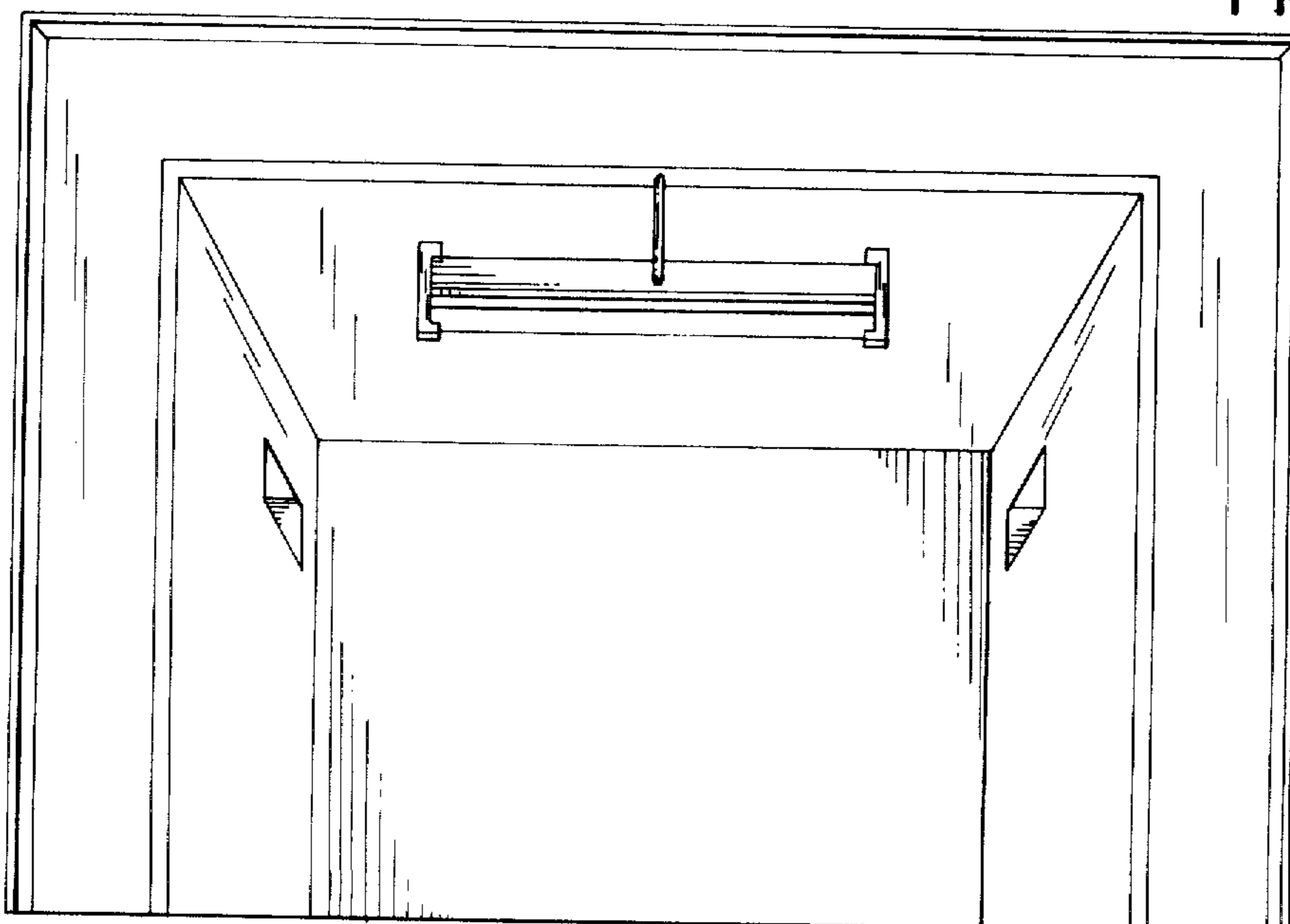


FIG. 8

