

[54] STOVE

[75] Inventor: **Ronald J. Larsen**, Providence, Utah

[73] Assignee: **Fireking Stoves of Utah, Inc.**, Logan, Utah

[\*\*] Term: **14 Years**

[21] Appl. No.: **121,573**

[22] Filed: **Feb. 14, 1980**

[51] Int. Cl. .... **D23-03**

[52] U.S. Cl. .... **D23/93**

[58] Field of Search ..... **D23/72, 92-97, D23/105, 107, 117, 118, 127, 128; 126/4, 6, 58-68, 120, 121, 123, 135, 136, 138**

[56]

**References Cited**

**U.S. PATENT DOCUMENTS**

Re. 29,443	10/1977	Vaughn .....	126/120
D. 245,624	8/1977	McIntire et al. ....	D23/105
4,150,658	4/1979	Woods .....	126/121 X
4,184,473	1/1980	McIntire et al. ....	126/63 X

*Primary Examiner*—Catherine E. Kemper  
*Attorney, Agent, or Firm*—Trask & Britt

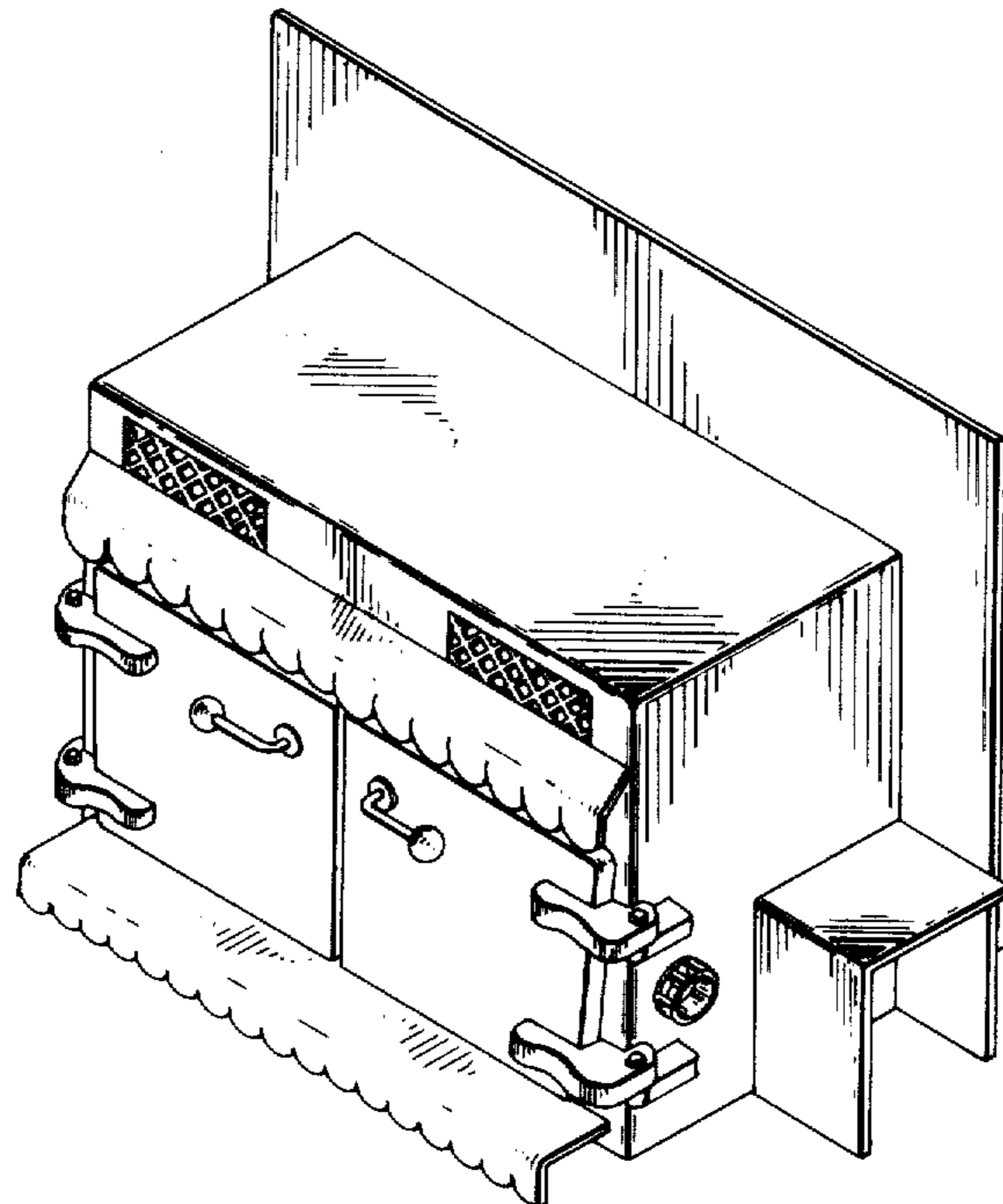
[57]

**CLAIM**

The ornamental design for a stove, as shown and described.

**DESCRIPTION**

FIG. 1 is a perspective top front view of a stove showing my new design;  
FIG. 2 is a front view thereof;  
FIG. 3 is a top view thereof;  
FIG. 4 is a left side view thereof;  
FIG. 5 is a right side view thereof;  
FIG. 6 is a rear view thereof;  
FIG. 7 is a bottom view thereof.



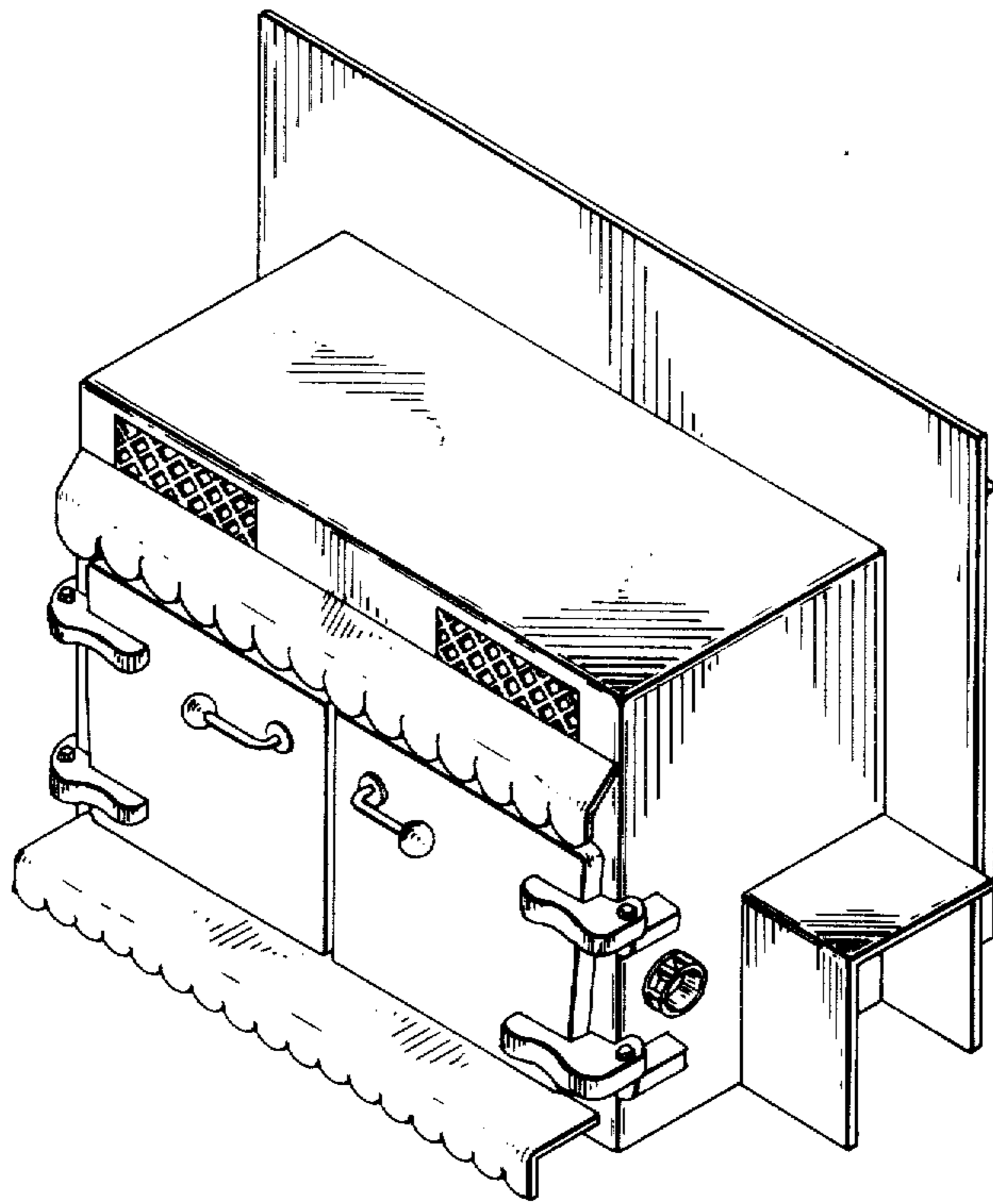


Fig. 1

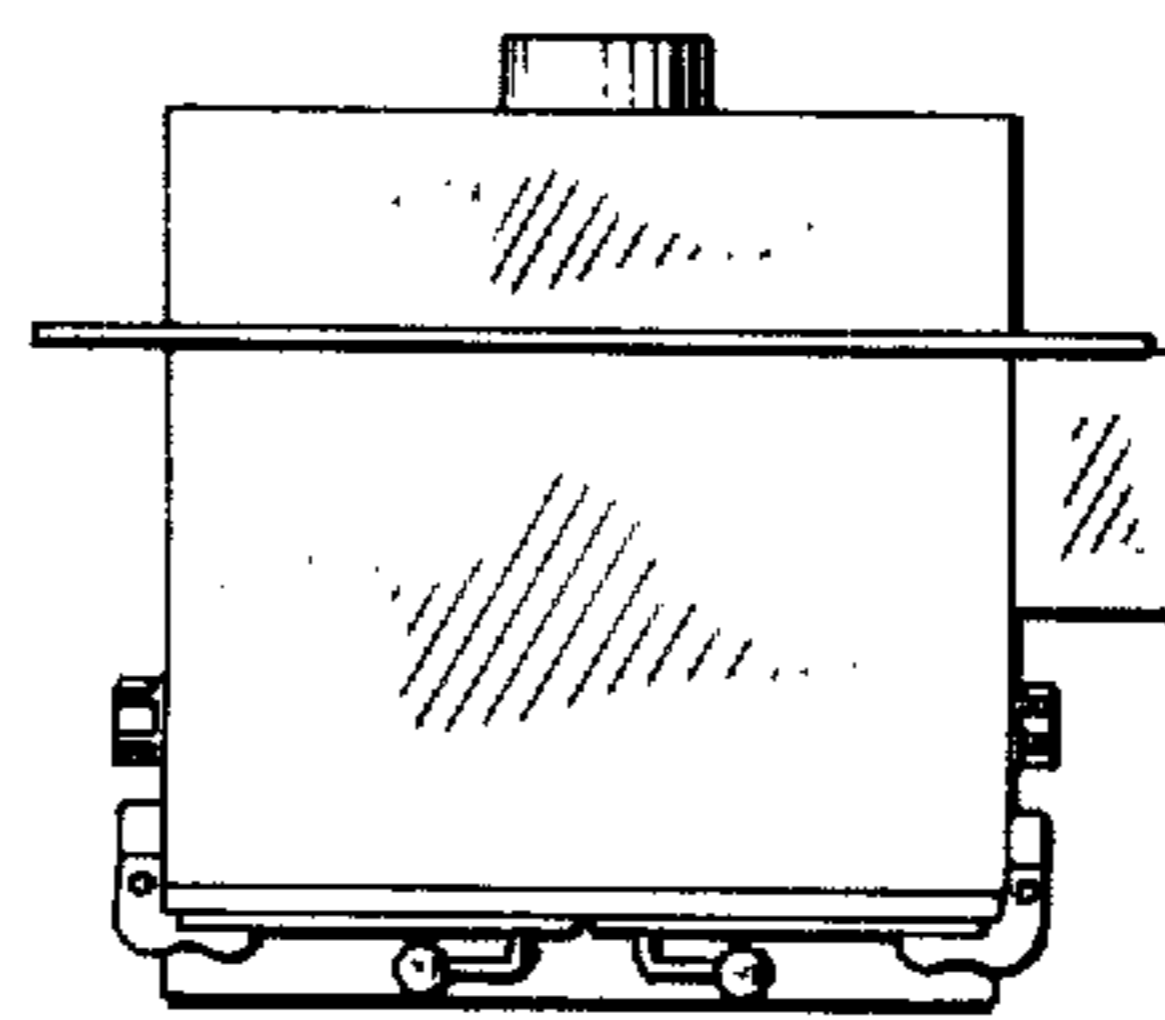


Fig. 3

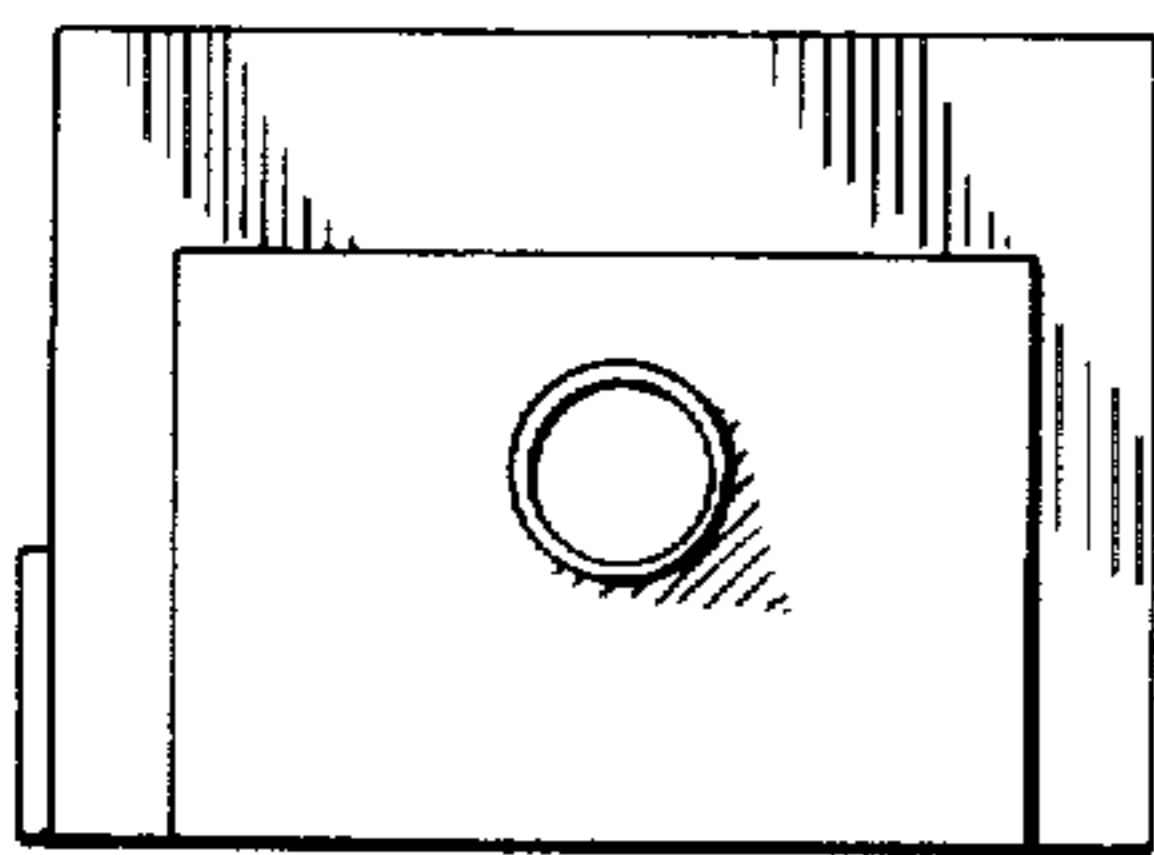


Fig. 6

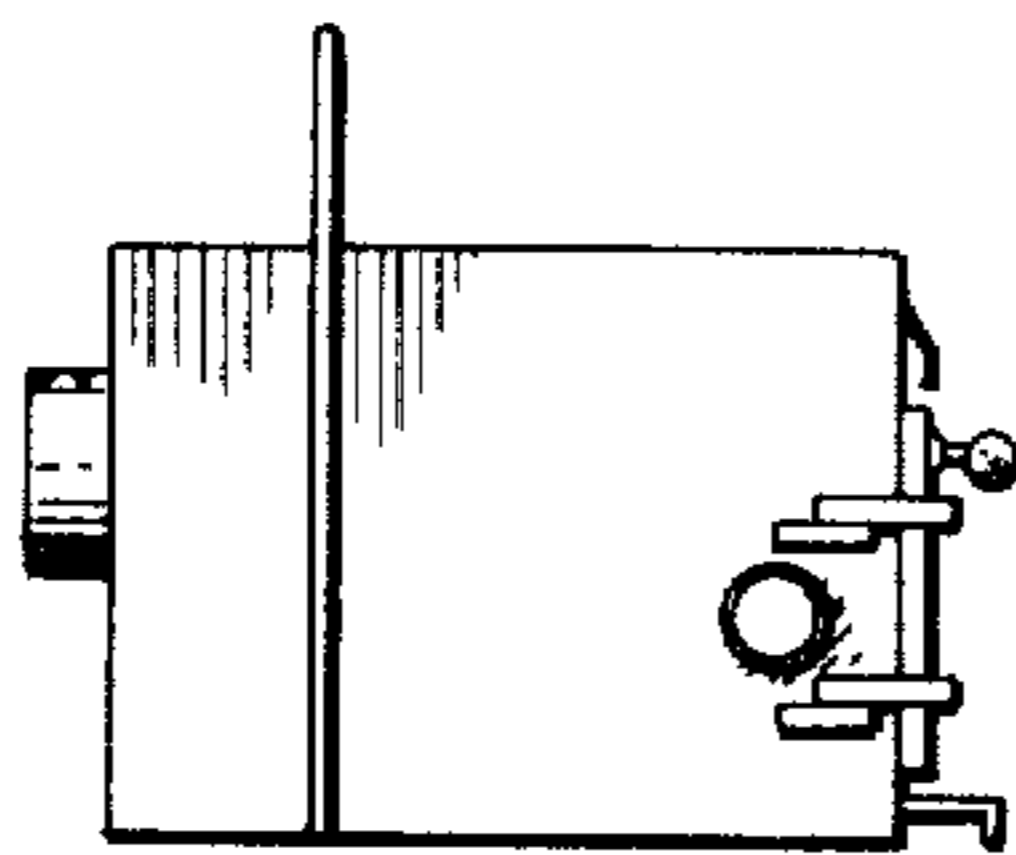


Fig. 5

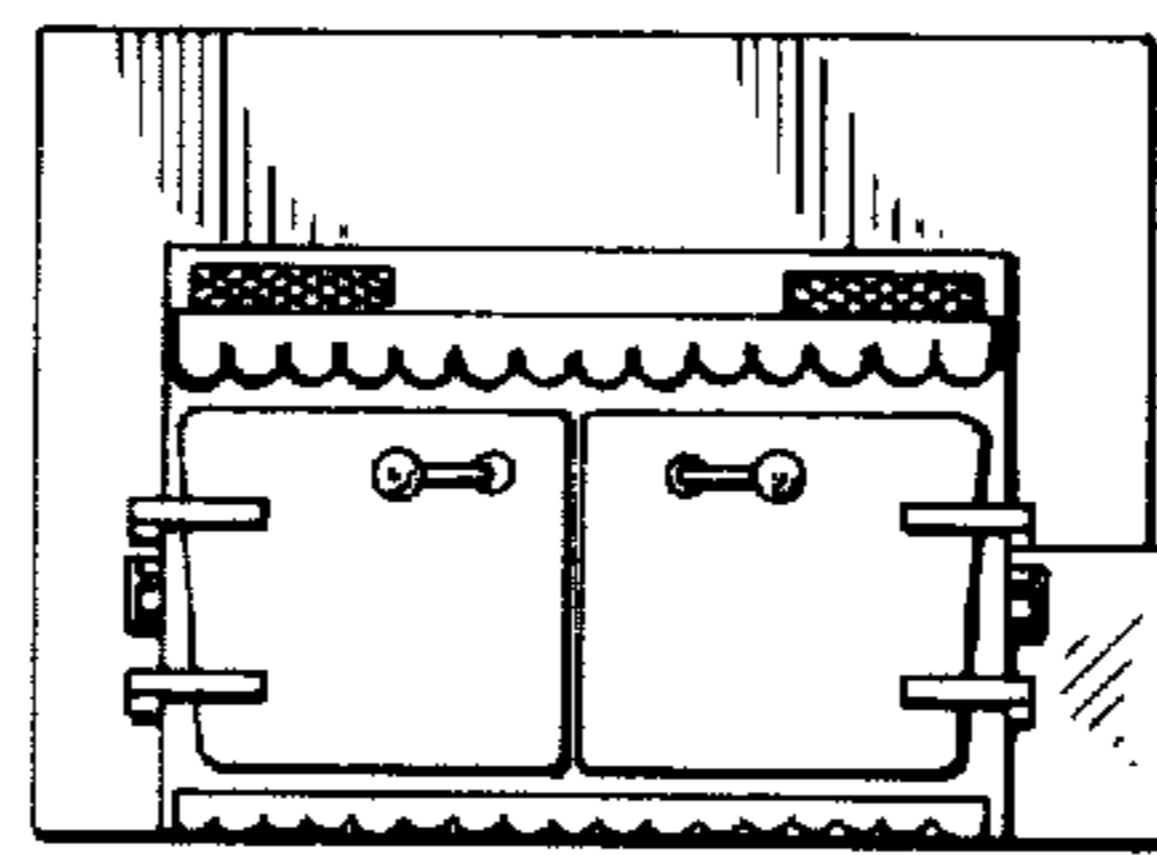


Fig. 2

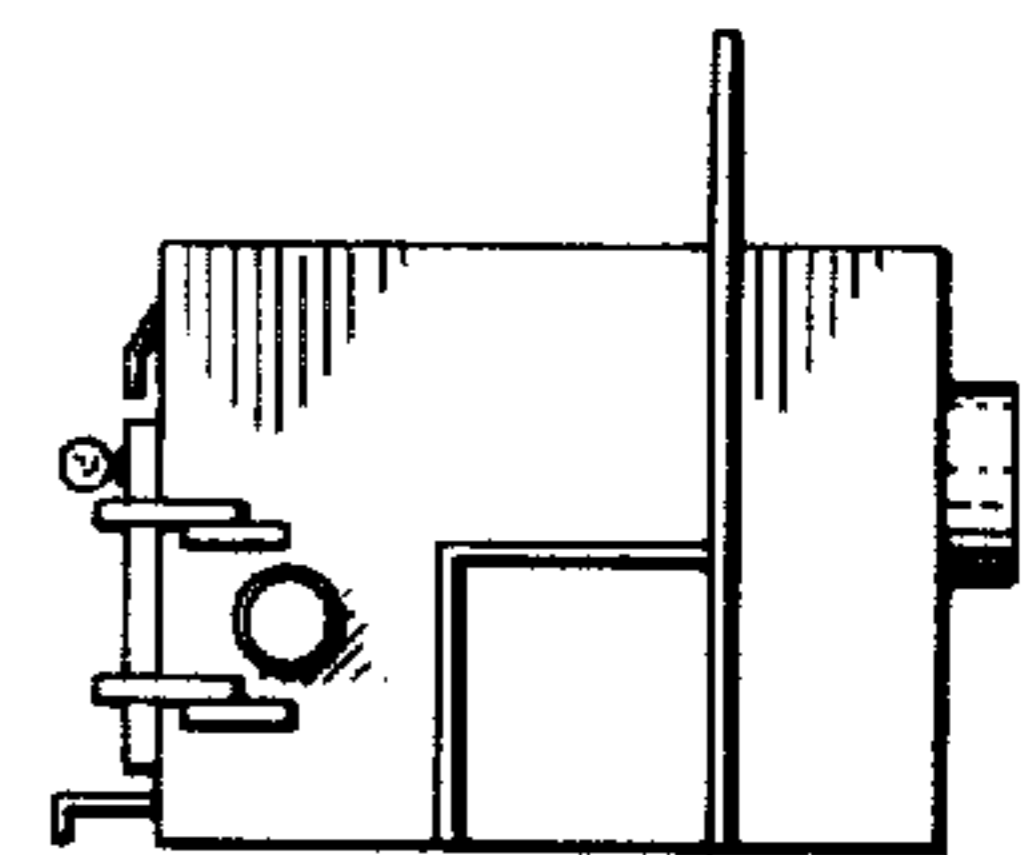


Fig. 4

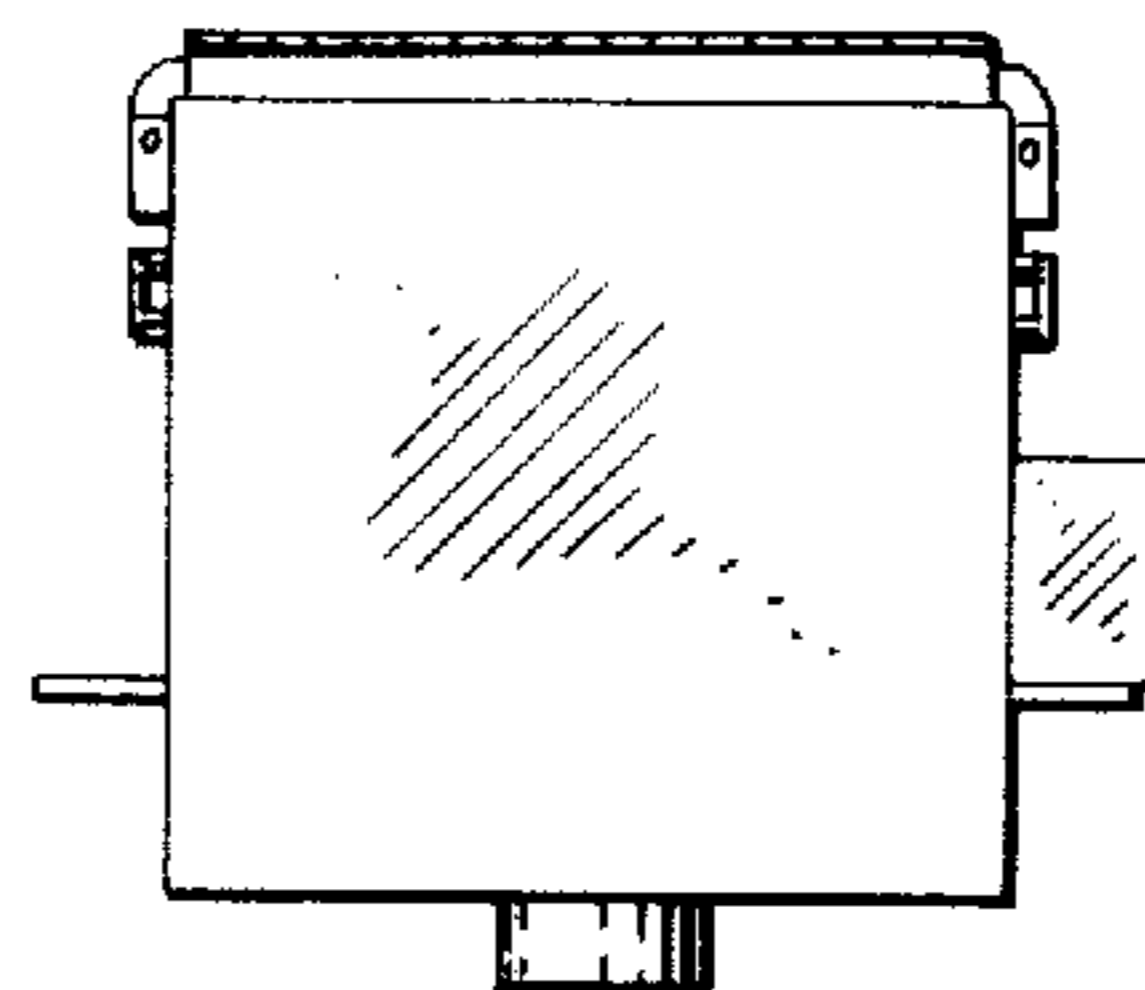


Fig. 7