

- [54] PIPELINE PROTECTOR
- [76] Inventor: Amadeo Chapa, 4 Talisman Ct., Houston, Tex. 77076
- [\*\*] Term: 14 Years
- [21] Appl. No.: 124,159
- [22] Filed: Feb. 25, 1980
- [51] Int. Cl. .... D23—99
- [52] U.S. Cl. .... D23/40; D23/41; D23/42; D23/43; D23/44; D23/45; D23/46; D23/47; D8/364; D8/394; 138/32; 138/96 R
- [58] Field of Search ..... D23/40, 41, 42, 43, D23/44, 45, 46, 47; D8/364, 394; 138/32, 96 R

- [56] **References Cited**  
**U.S. PATENT DOCUMENTS**  
D. 194,341 1/1963 Wells ..... D23/40  
D. 237,178 10/1975 Wilson ..... D23/45

3,916,658 11/1975 Barry ..... 200/61.54

**OTHER PUBLICATIONS**

Engineering Design Manual, Bulletin #212 G, TA Mfg. Corp., A Dayco Co., Los Angeles, Calif. 90039, 2/20/70, p. 3 Single Tube TA1C8.

Primary Examiner—Veronica O’Keefe  
Attorney, Agent, or Firm—Michael P. Breston

[57] **CLAIM**

The ornamental design for a pipeline protector, substantially as shown.

**DESCRIPTION**

FIG. 1 is a front view of the pipeline protector showing my new design;  
FIG. 2 is a top view thereof;  
FIG. 3 is a side view thereof taken on line 3—3 of FIG. 1;  
FIG. 4 is a sectional view thereof taken on line 4—4 of FIG. 1.

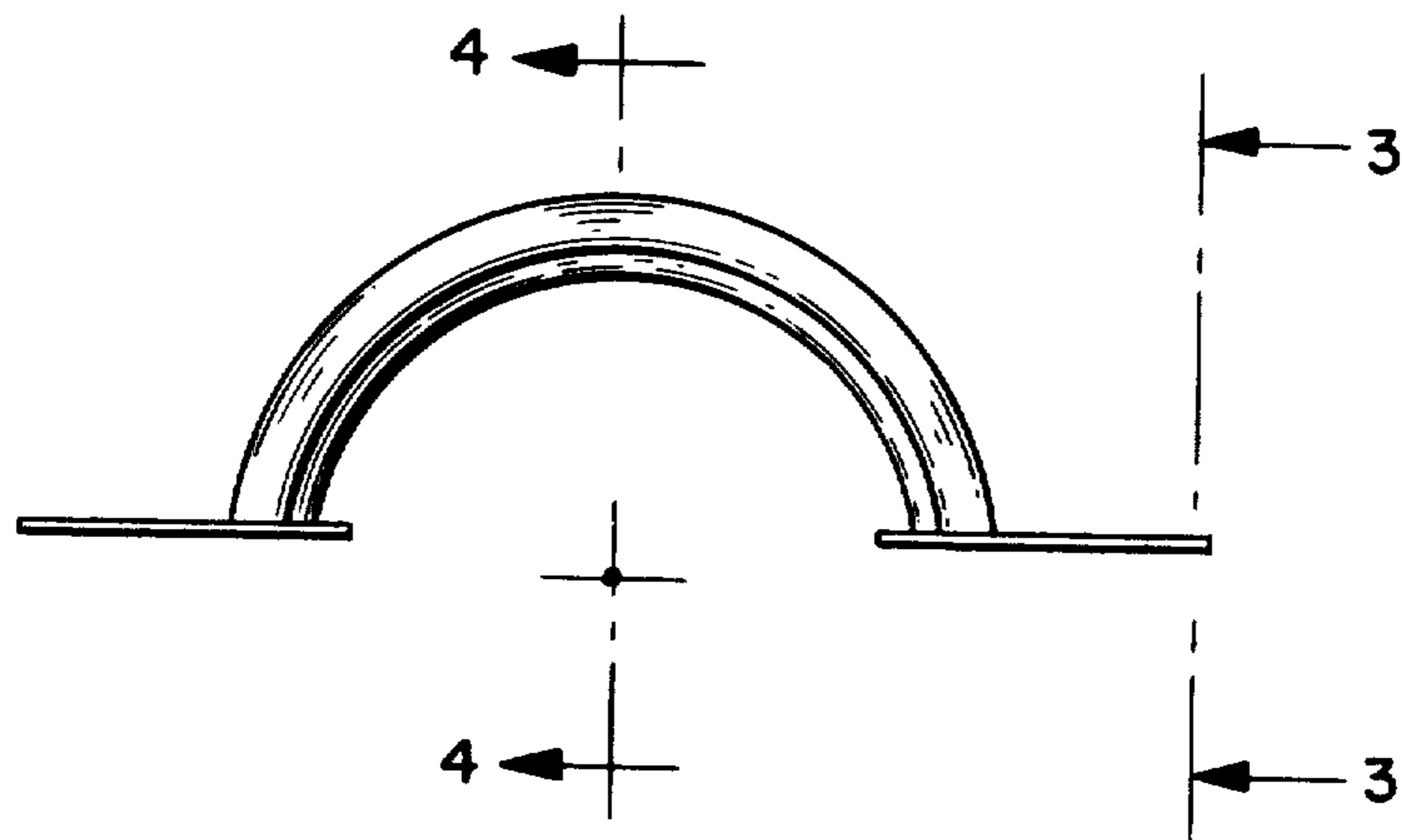


FIG. 1.

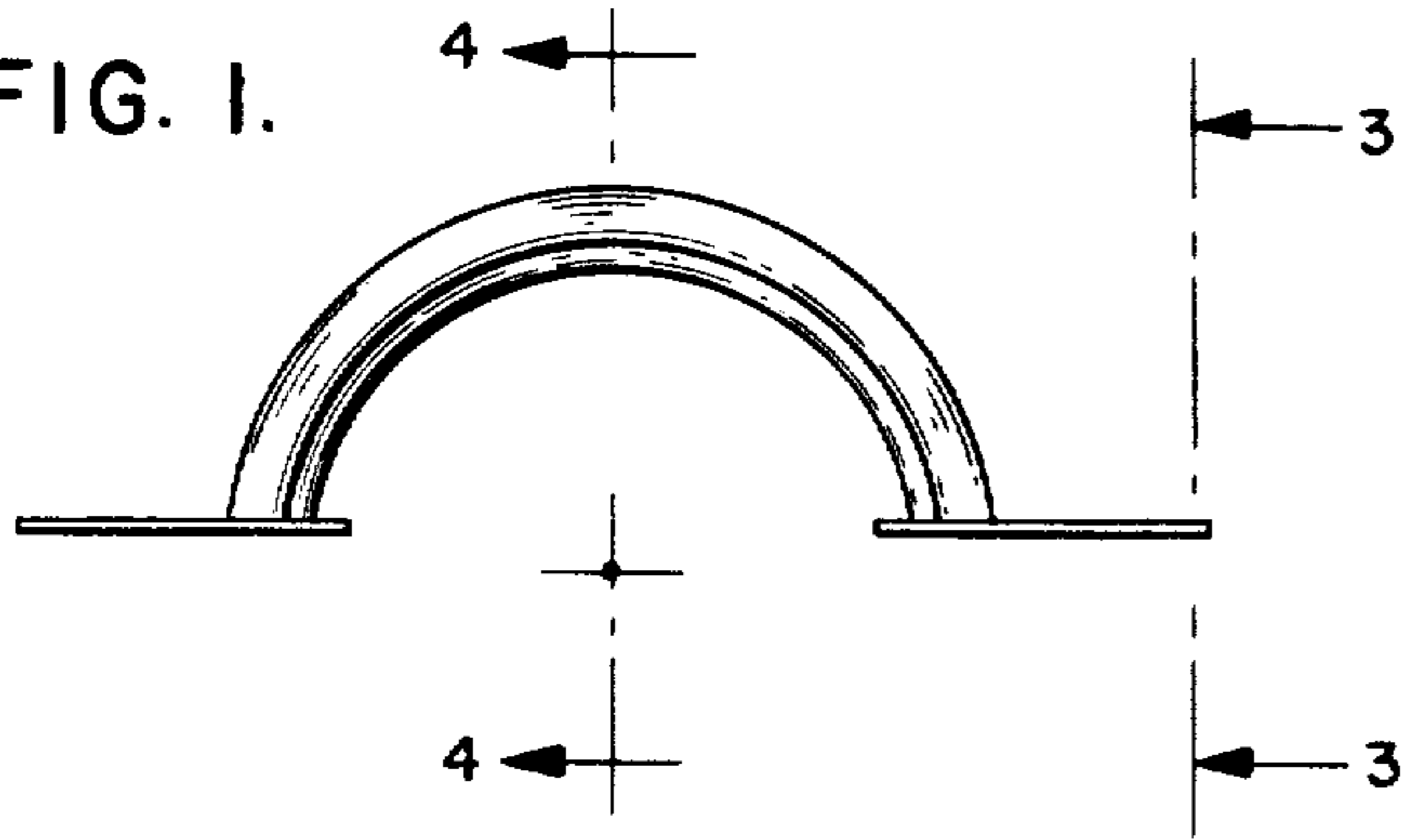


FIG. 3.

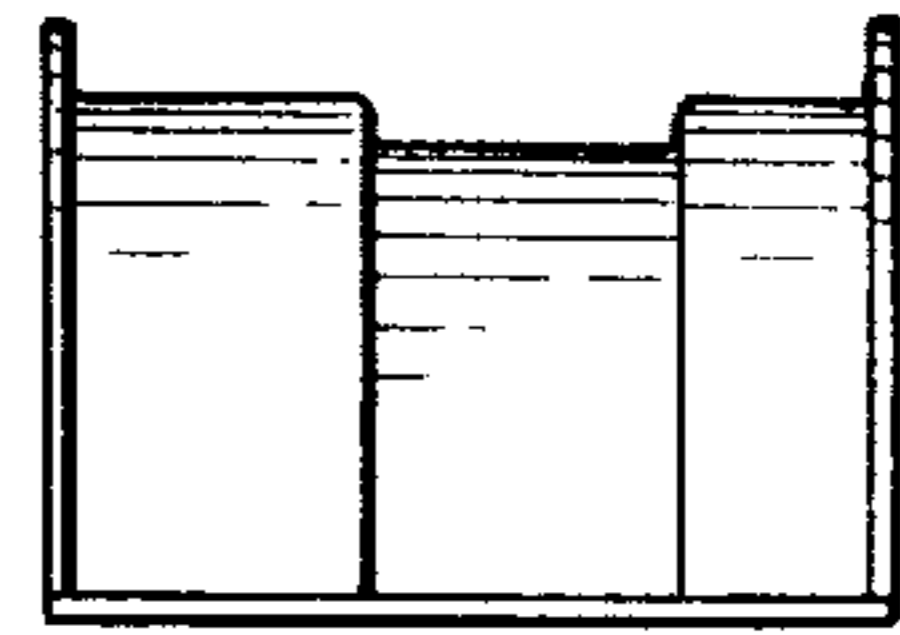


FIG. 2.

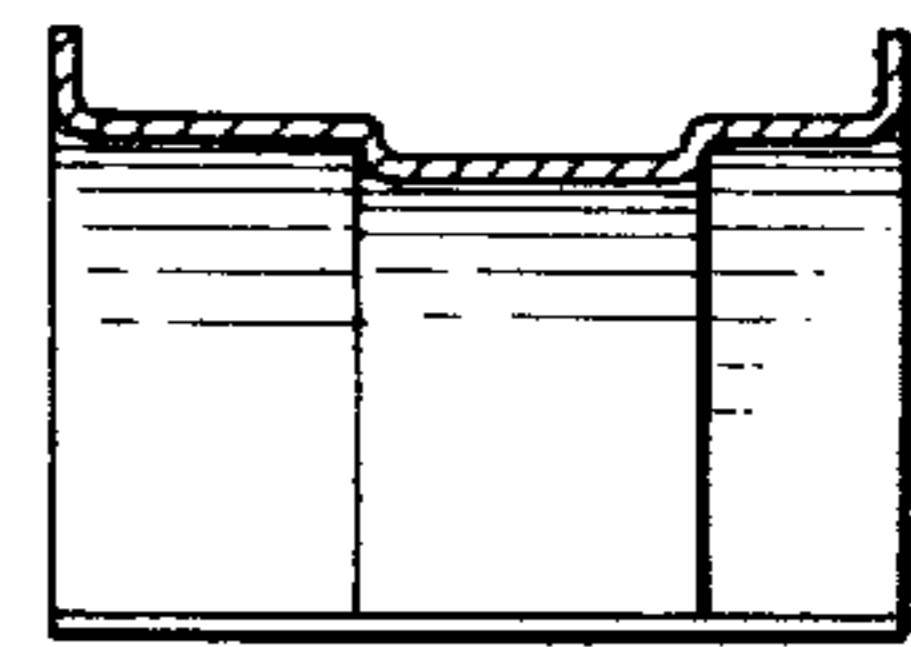
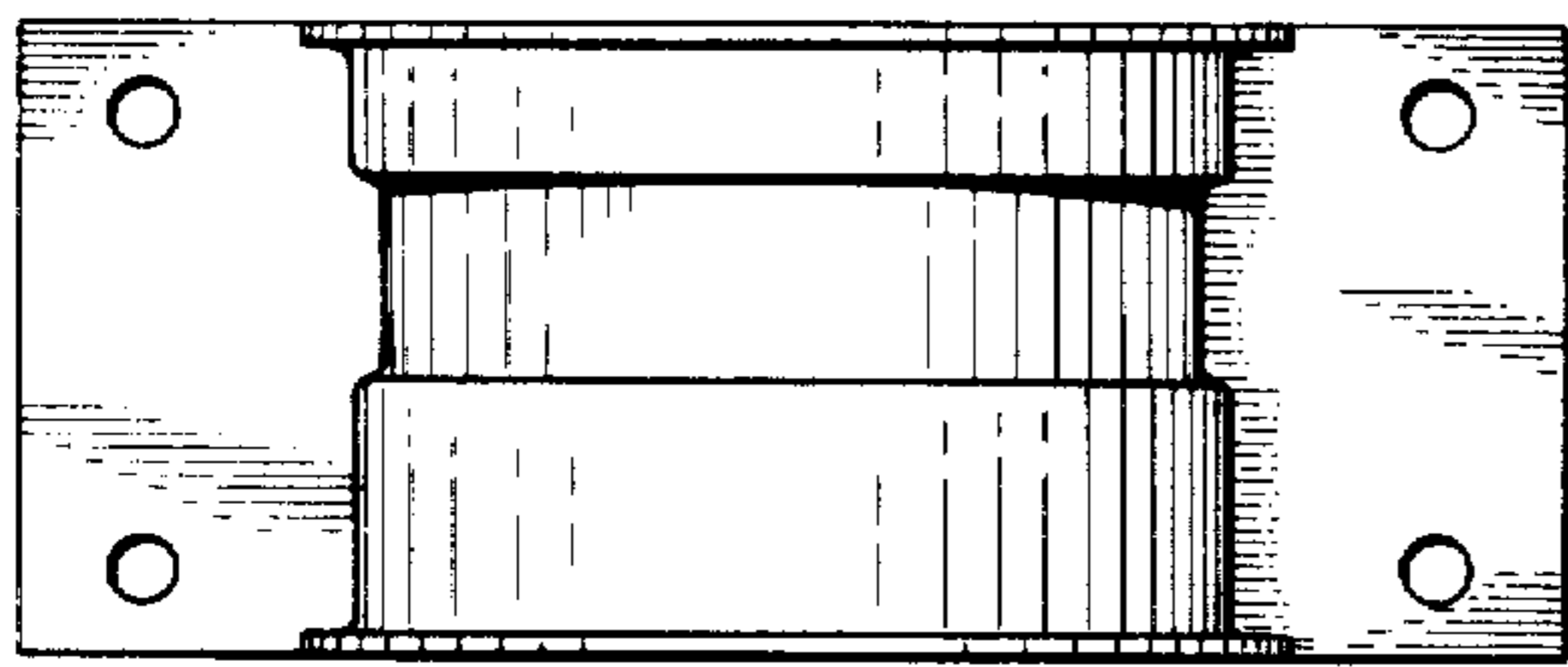


FIG. 4.