

[54] **BUTTERFLY VALVE**
 [75] Inventor: **Gustav B. Nyberg, Säffle, Sweden**
 [73] Assignee: **Eur-Control Kalle AB, Sweden**
 [**] Term: **7 Years**
 [21] Appl. No.: **150,639**
 [22] Filed: **May 19, 1980**

3,173,650 3/1965 Cotterman et al. 251/306
 3,206,164 9/1965 Yopp 251/315
 3,241,808 3/1966 Allen 251/315 X
 3,254,873 6/1966 Knox 251/315 X
 3,329,359 7/1967 Allen 251/315 X
 3,338,551 8/1967 Block 251/306
 3,958,595 5/1976 Rene 137/375

Primary Examiner—James R. Largen
Attorney, Agent, or Firm—Ostrolenk, Faber, Gerb & Soffen

Related U.S. Application Data

[63] Continuation-in-part of Ser. No. 83,965, Oct. 11, 1979.

Foreign Application Priority Data

Mar. 27, 1979 [SE] Sweden 79-0779

[51] **Int. Cl.** **D23—01**

[52] **U.S. Cl.** **D23/19**

[58] **Field of Search** **D23/19-22;**
 251/298, 305, 306, 315, 366, 367; 137/375

References Cited

U.S. PATENT DOCUMENTS

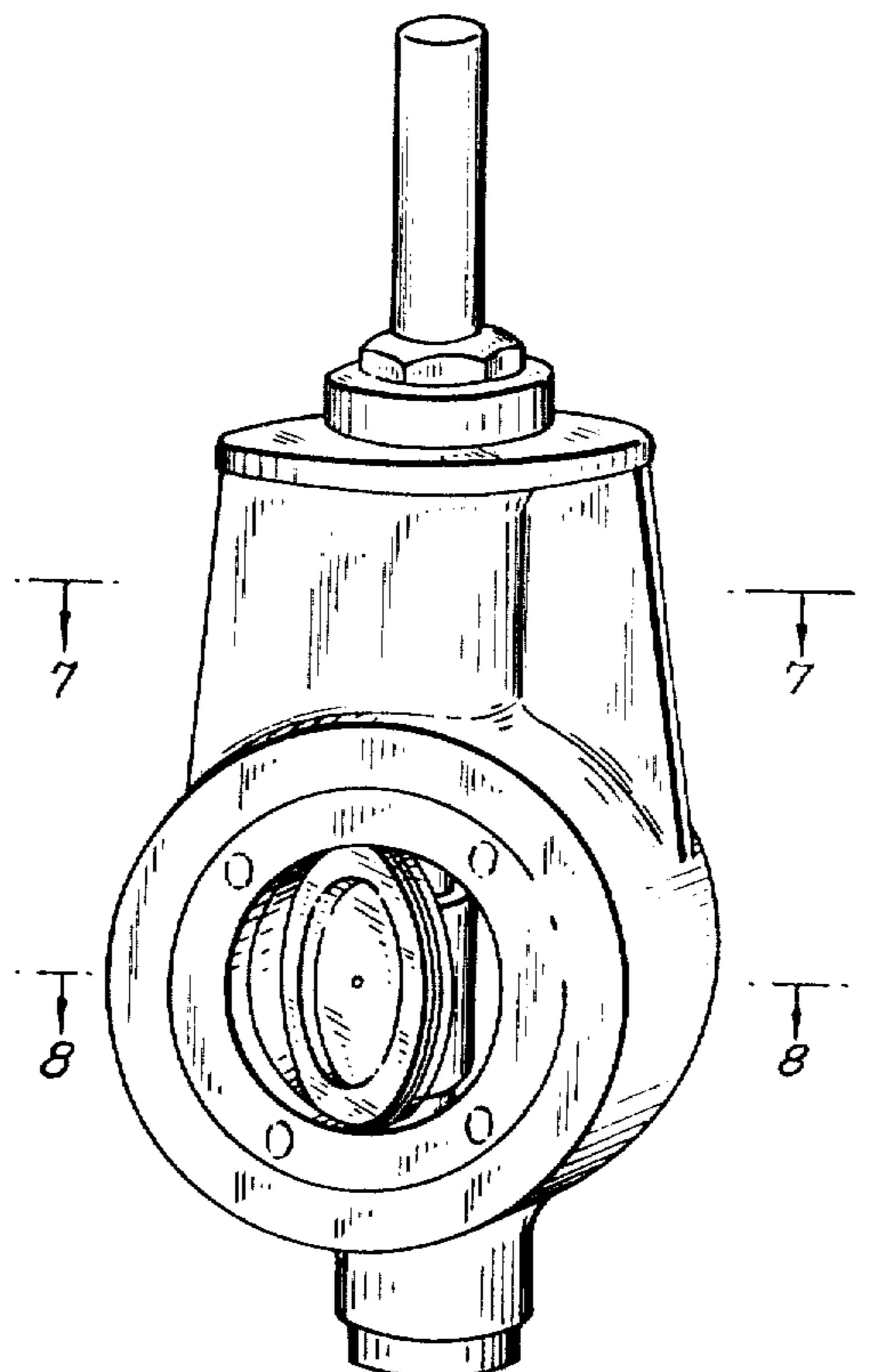
D. 253,365 11/1979 Nyberg D23/19
 3,091,428 5/1963 Magos D23/19 X
 3,129,920 4/1964 Stillwagon 251/306 X

CLAIM

The ornamental design for a butterfly valve, as shown.

DESCRIPTION

FIG. 1 is a front perspective view of a butterfly valve showing my new design;
 FIG. 2 is a rear perspective view thereof;
 FIG. 3 is a right side view thereof;
 FIG. 4 is a left side view thereof;
 FIG. 5 is a bottom plan view thereof;
 FIG. 6 is a top plan view thereof;
 FIG. 7 is a cross sectional view taken on line 7—7 of FIG. 1; and
 FIG. 8 is a cross sectional view taken on line 8—8 of FIG. 1.



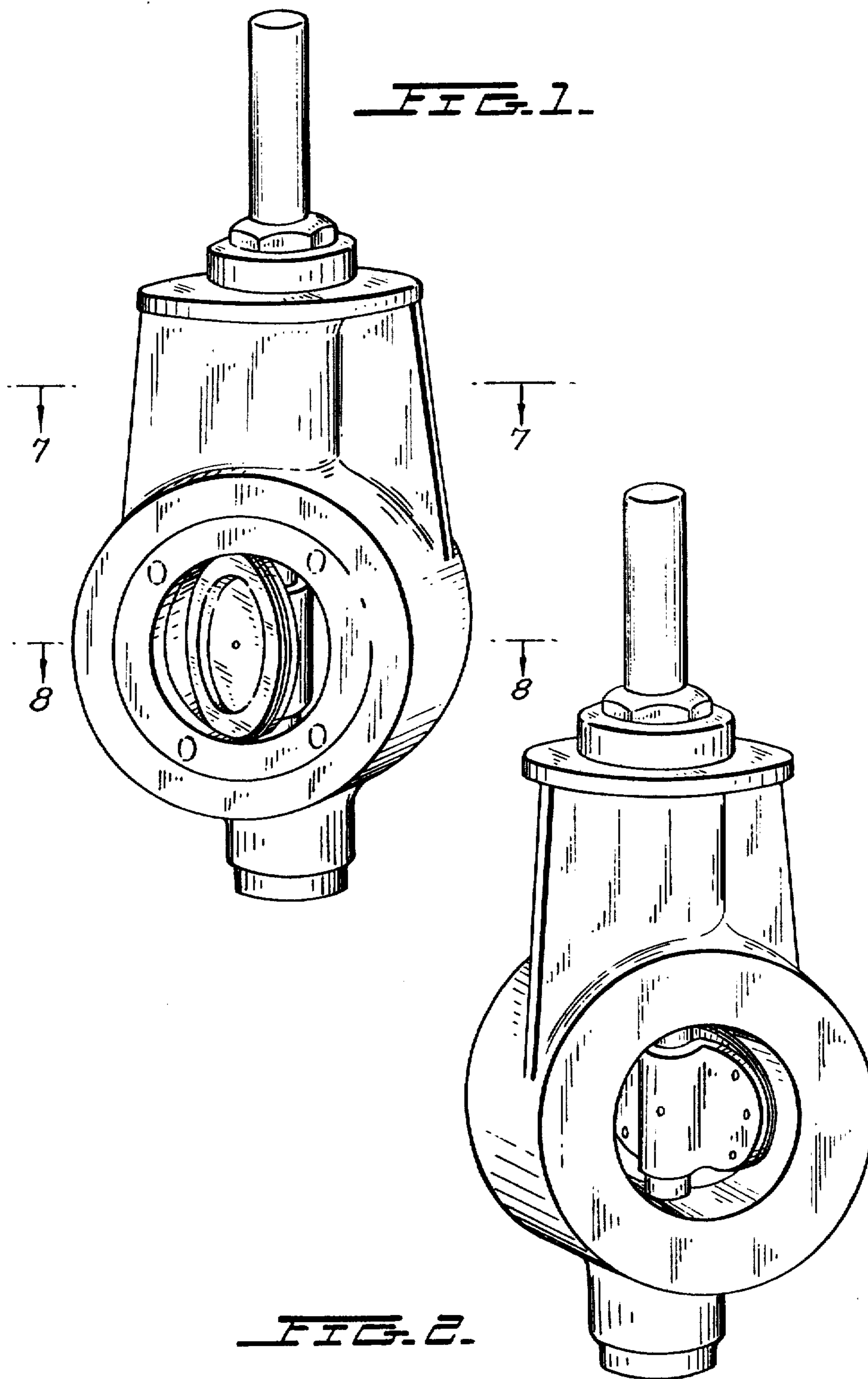


FIG. 3.

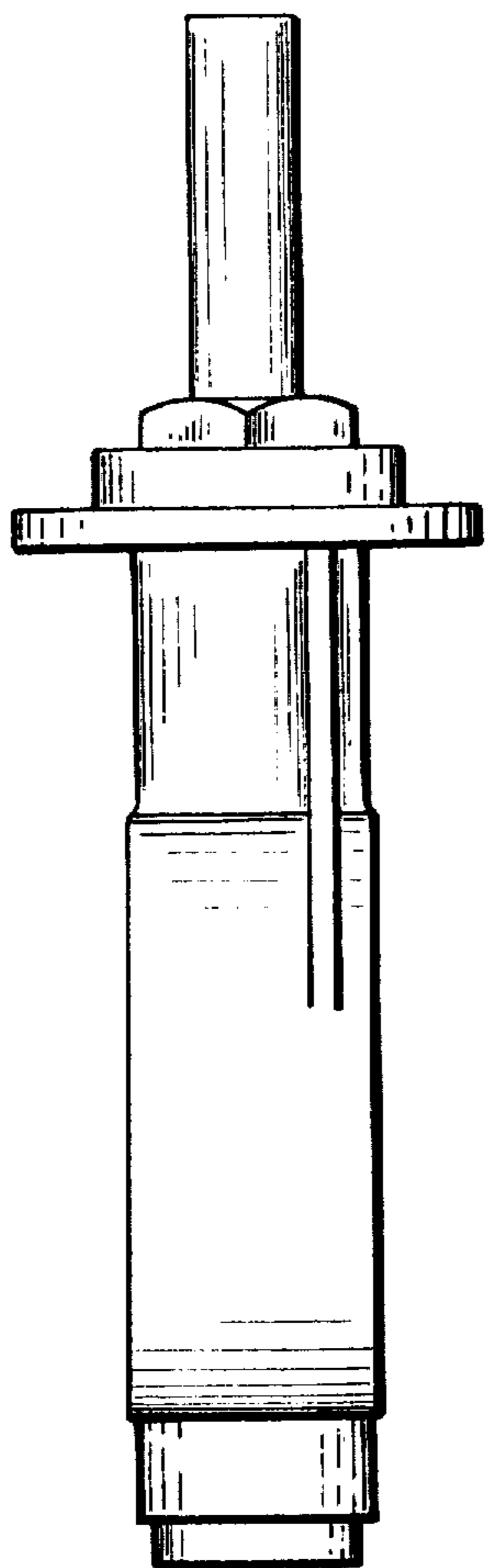


FIG. 6.

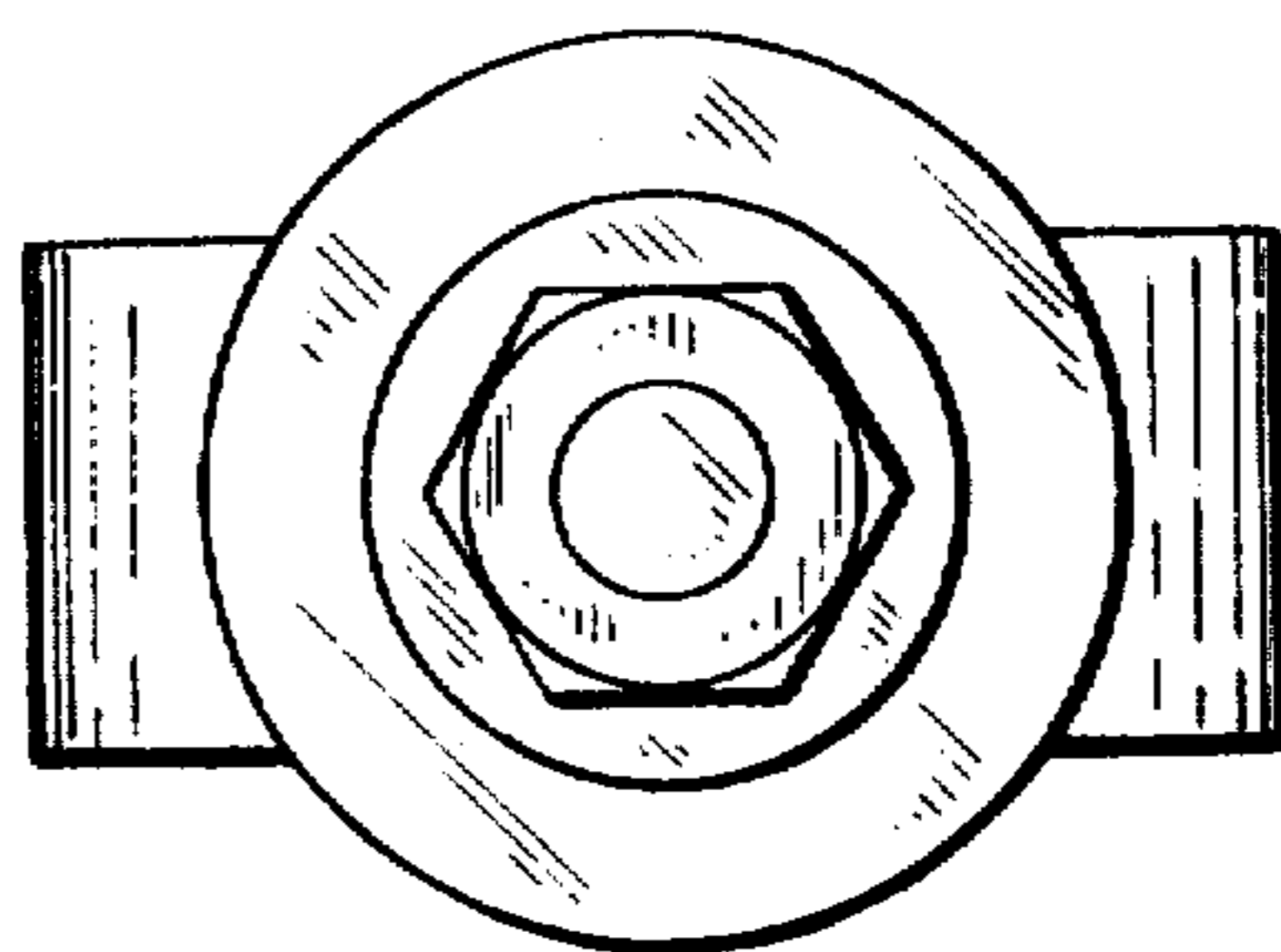


FIG. 7.

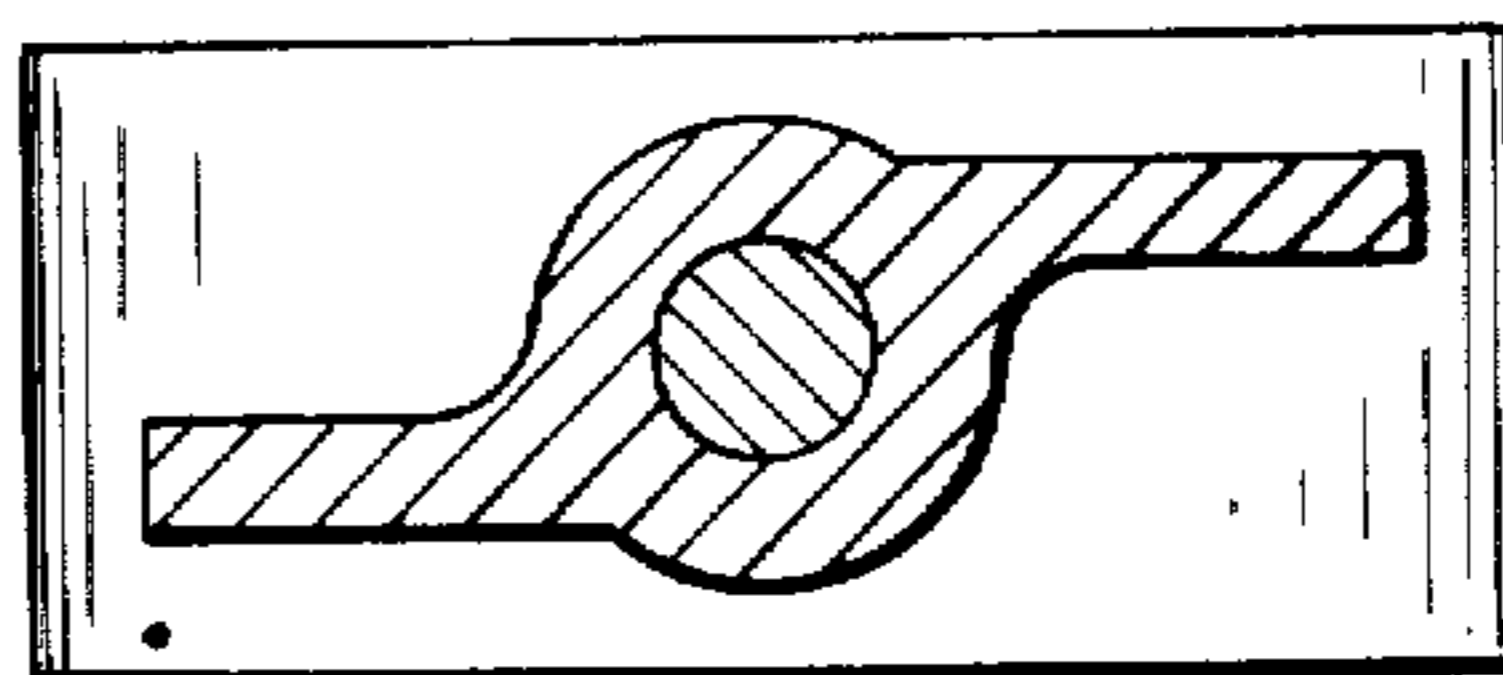


FIG. 5.

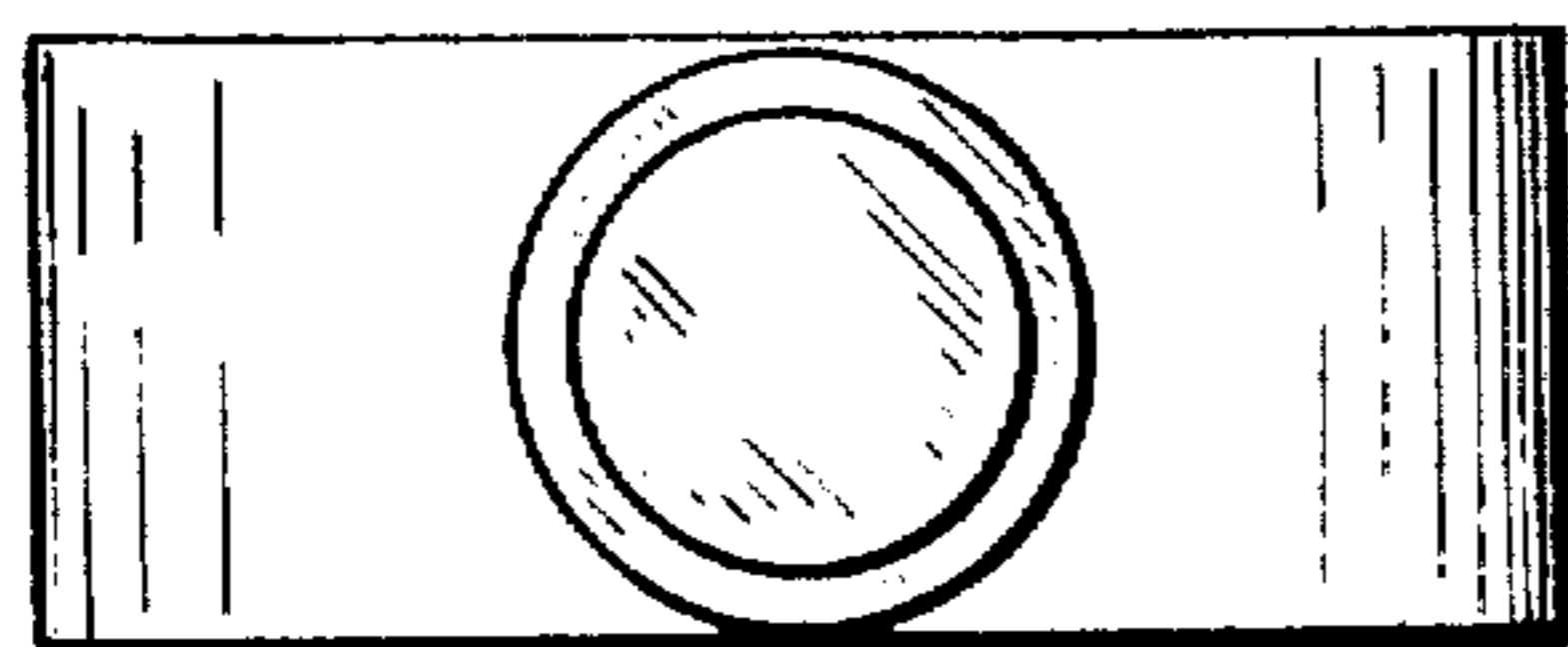


FIG. 8.

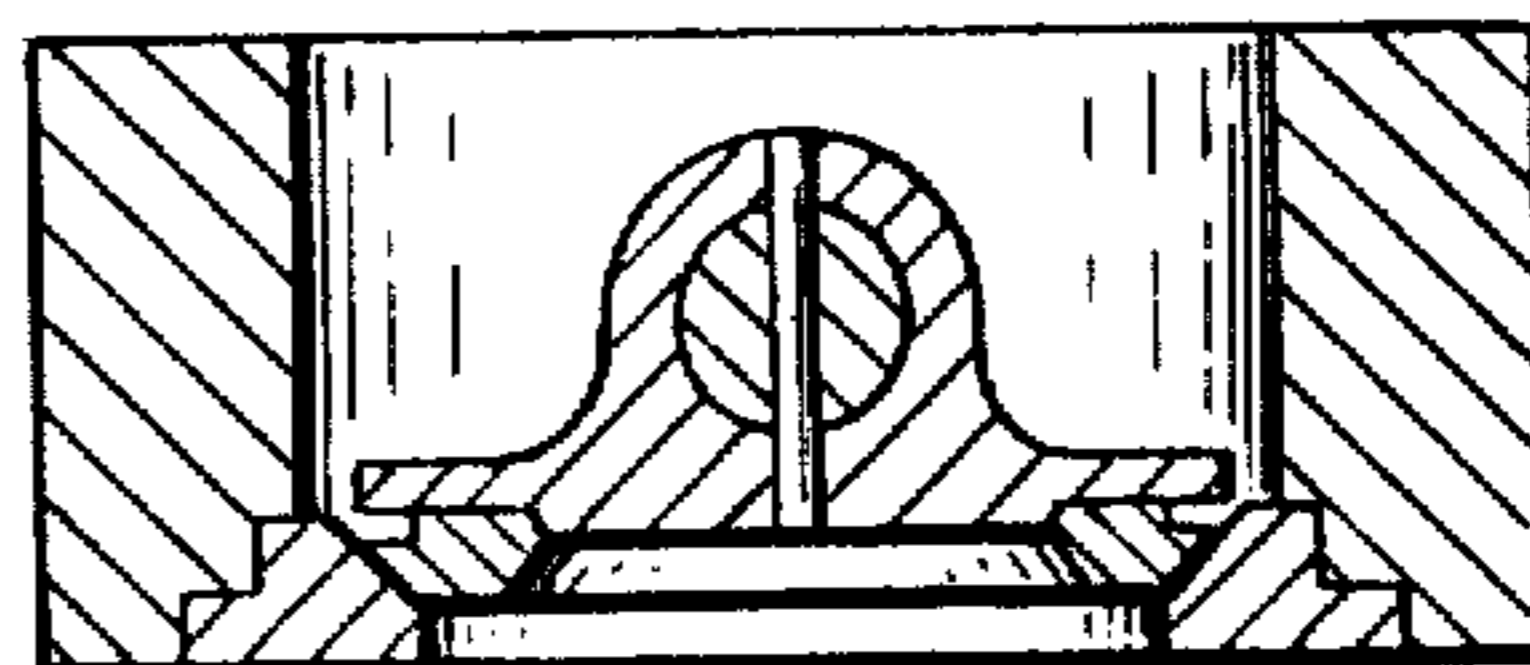


FIG. 4.

