

[54] **SPRINKLER**
 [75] **Inventor: Edwin J. Hunter, Rancho Santa Fe, Calif.**
 [73] **Assignee: The Toro Company, Minneapolis, Minn.**
 [**] **Term: 14 Years**
 [21] **Appl. No.: 82,550**
 [22] **Filed: Oct. 9, 1979**
 [51] **Int. Cl. D23-01**
 [52] **U.S. Cl. D23/7**
 [58] **Field of Search D23/6-10; 239/203-206**

D. 243,179	1/1977	Jooste	D23/7
1,628,041	5/1927	Fryo	239/204
1,639,162	8/1927	Brooks	239/204 X
1,919,244	7/1933	Munz	239/204
2,086,281	7/1937	Nelson et al.	239/204 X
3,088,677	5/1963	Coffey et al.	239/205
3,272,437	9/1966	Coson	239/206
3,940,066	2/1976	Hunter	239/204
4,026,471	5/1977	Hunter	239/206

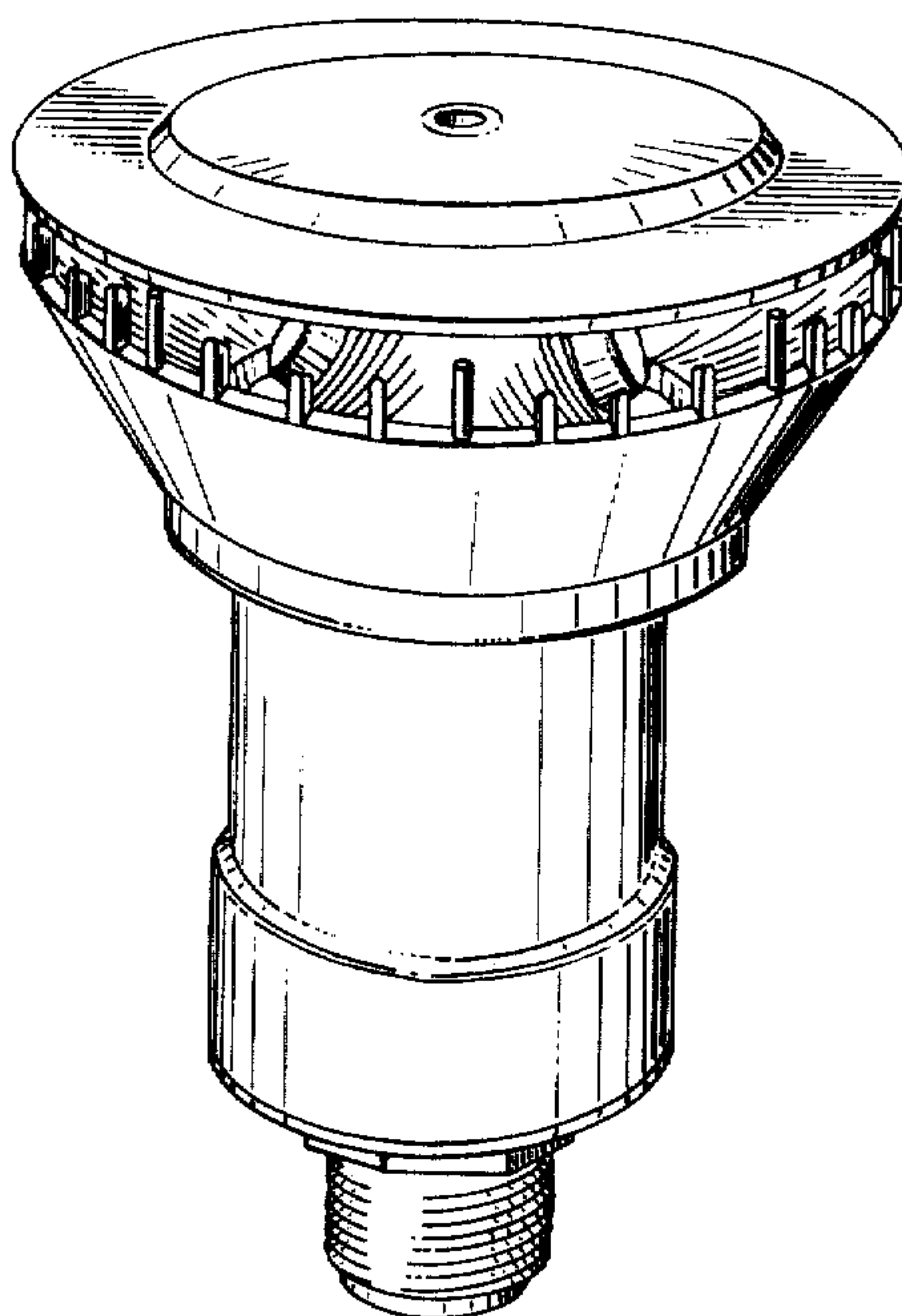
Primary Examiner—James R. Largen
Attorney, Agent, or Firm—Joseph P. Martin

[57] **CLAIM**
 The ornamental design for a sprinkler, as shown.

DESCRIPTION

FIG. 1 is a perspective view of a sprinkler embodying my new design;
 FIG. 2 is a top plan view thereof;
 FIG. 3 is a bottom plan view thereof; and
 FIG. 4 is a side elevational view thereof.

[56] **References Cited**
U.S. PATENT DOCUMENTS
 D. 226,711 4/1973 Kunkle, Jr. D23/7



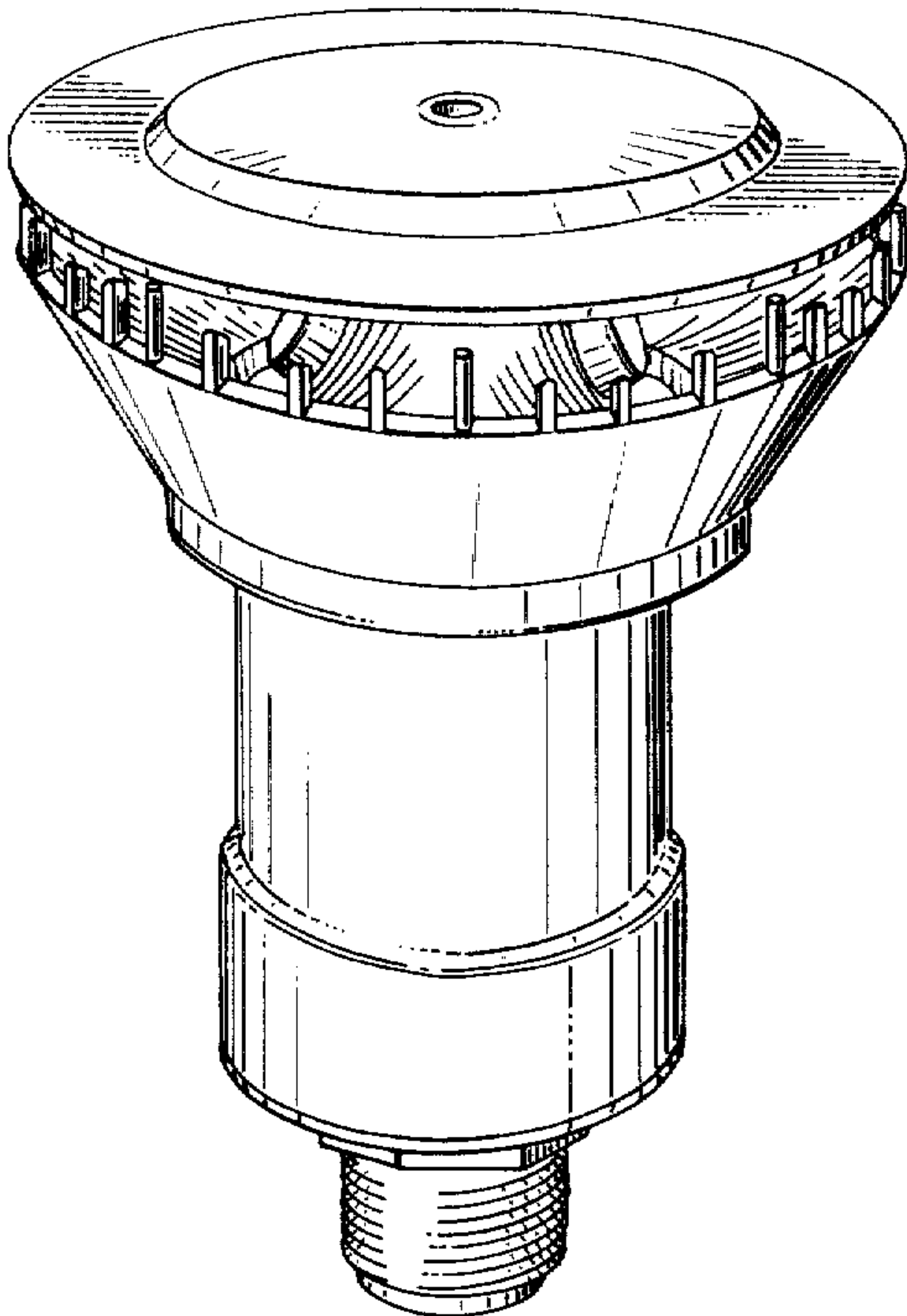


Fig 1

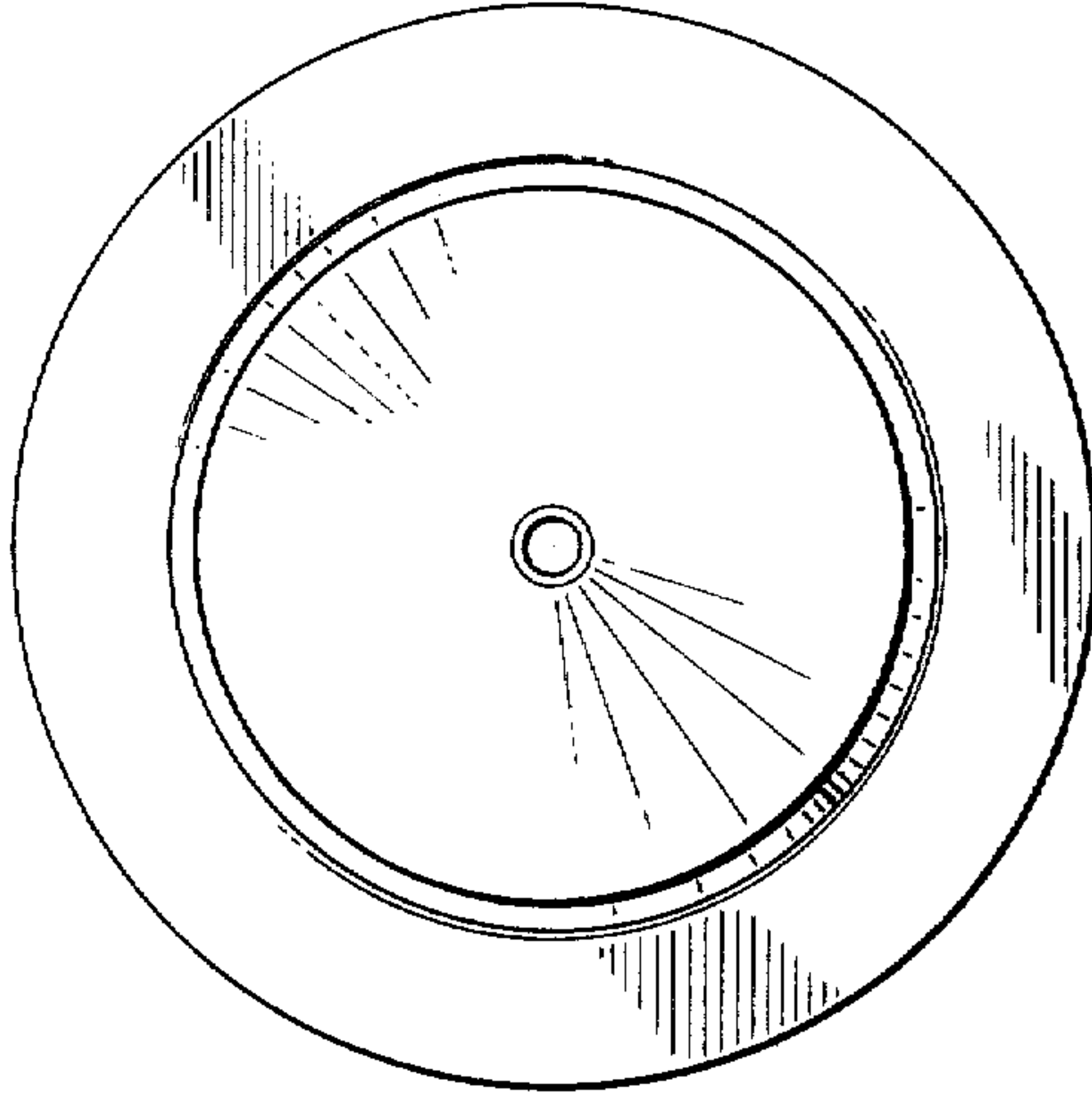


Fig 2

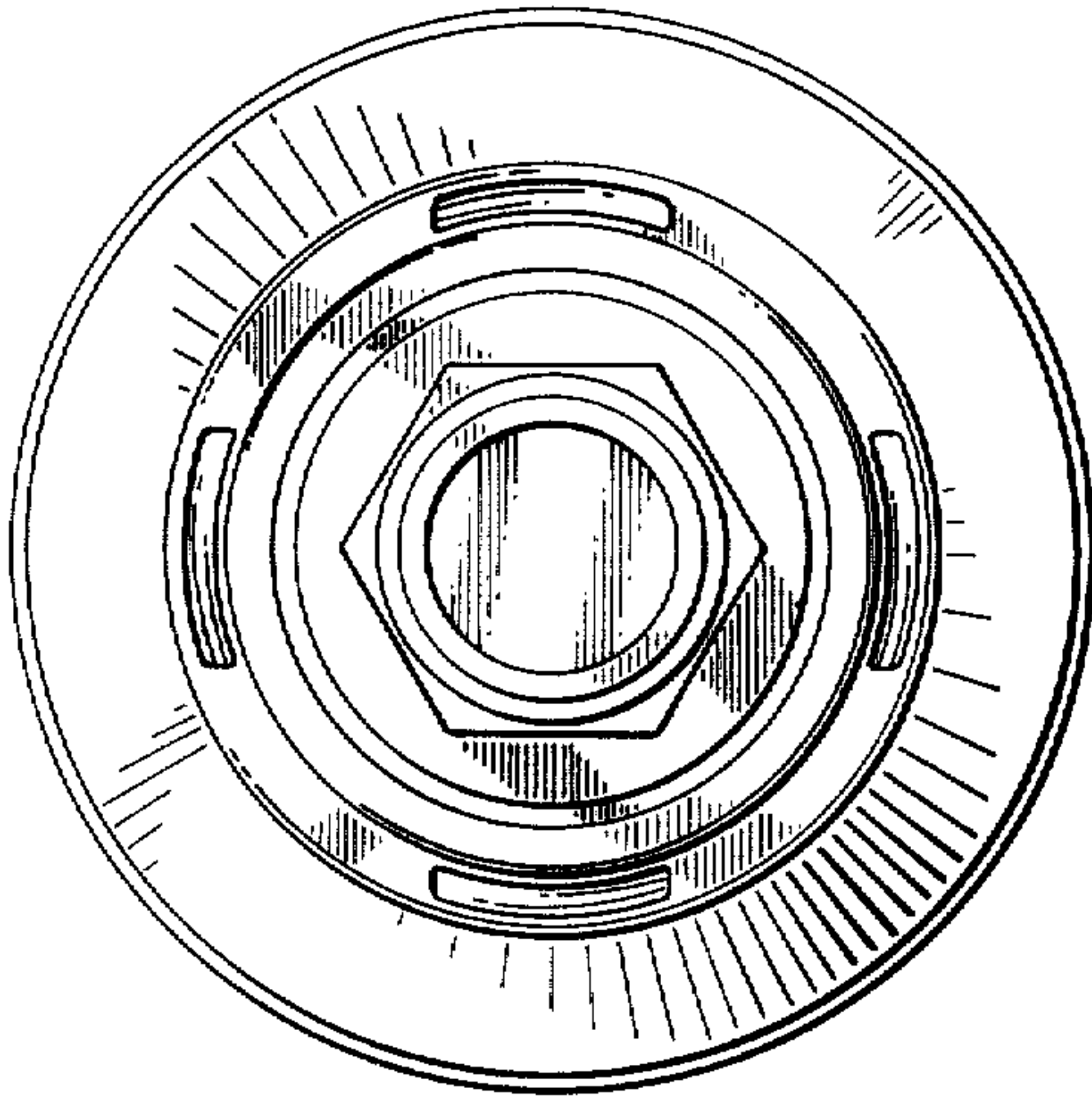


Fig 3

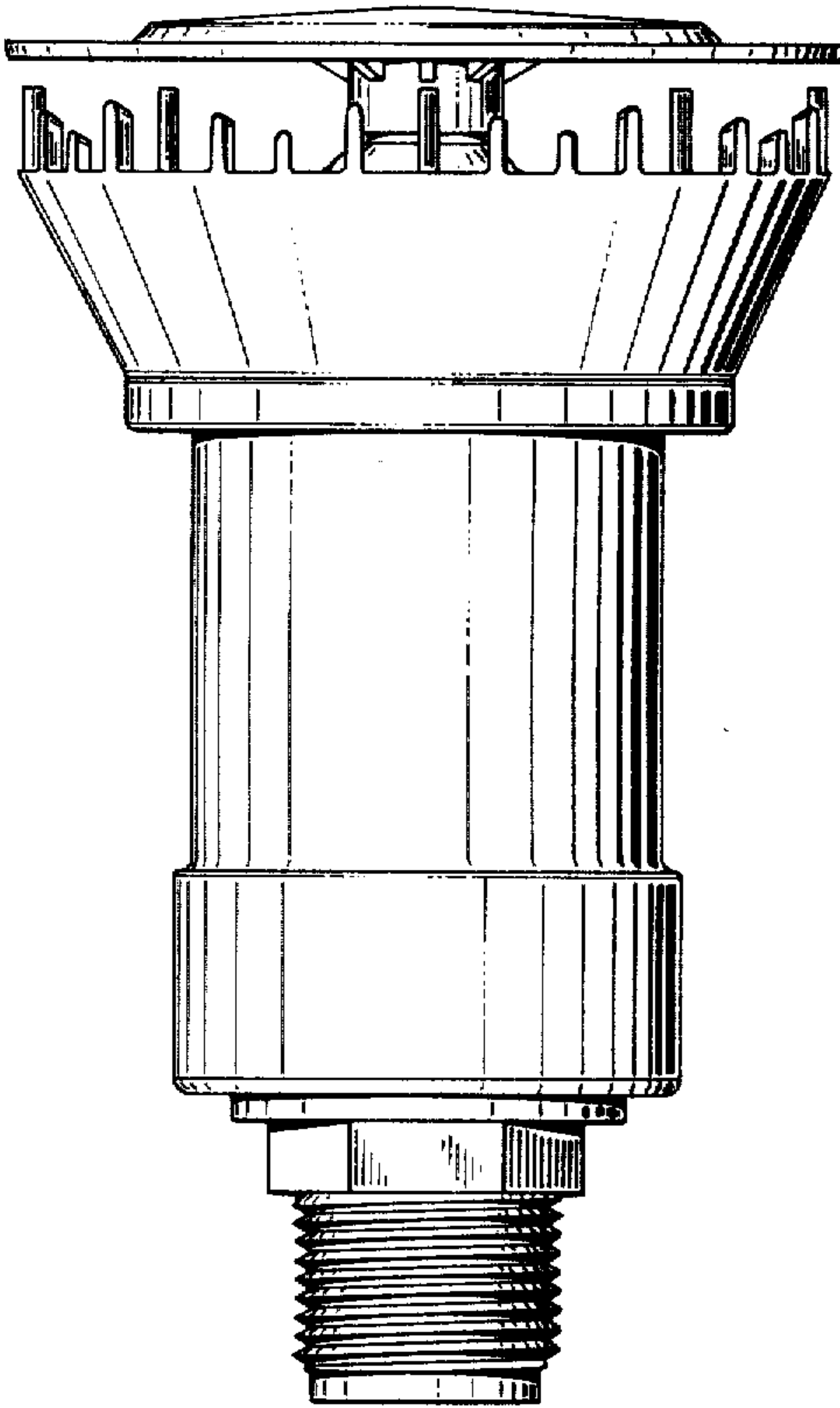


Fig 4