

[54] **SOLAR ENERGY DEMONSTRATOR**

[75] **Inventor: Gaylord B. Buck, Denver, Colo.**

[73] **Assignee: Aero Systems Research, Inc.,  
Denver, Colo.**

[\*\*] **Term: 14 Years**

[21] **Appl. No.: 167,841**

[22] **Filed: Jul. 14, 1980**

[51] **Int. Cl. .... D19-07**

[52] **U.S. Cl. .... D19/64**

[58] **Field of Search .... D19/59, 60, 62, 64;  
434/365, 389**

[56] **References Cited**

**U.S. PATENT DOCUMENTS**

4,178,699 12/1979 Burkhart ..... 434/365

*Primary Examiner—Lester L. Lee*  
*Attorney, Agent, or Firm—Max L. Wymore*

[57] **CLAIM**

The ornamental design for a solar energy demonstrator,  
as shown and described.

**DESCRIPTION**

FIG. 1 is a top plan view of the solar energy demonstra-  
tor showing my new design;

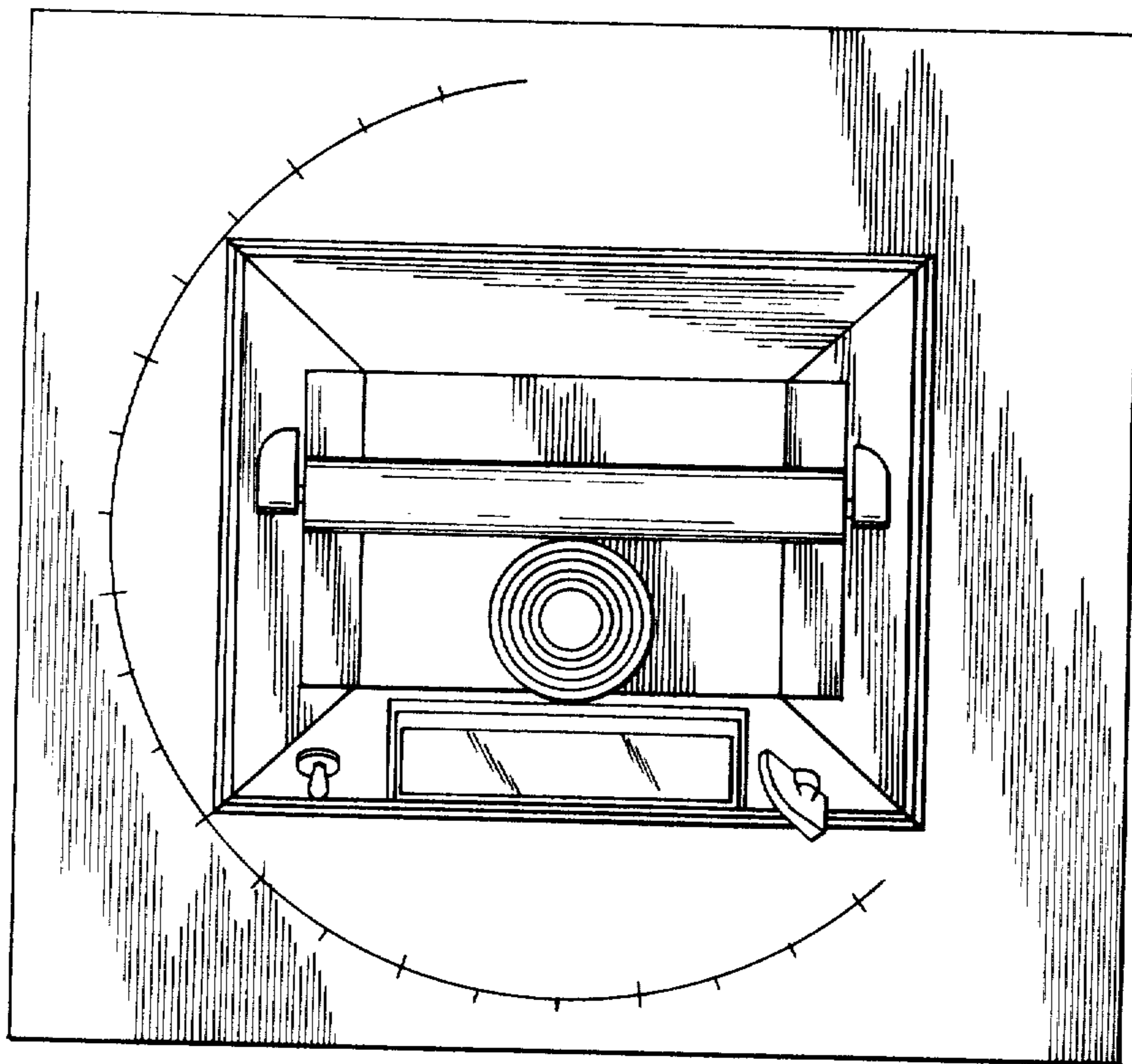
FIG. 2 is a front elevational view thereof;

FIG. 3 is a rear elevational view thereof;

FIG. 4 is a right-hand end view thereof;

FIG. 5 is a left-hand end view thereof; and,

FIG. 6 is a bottom plan view thereof.



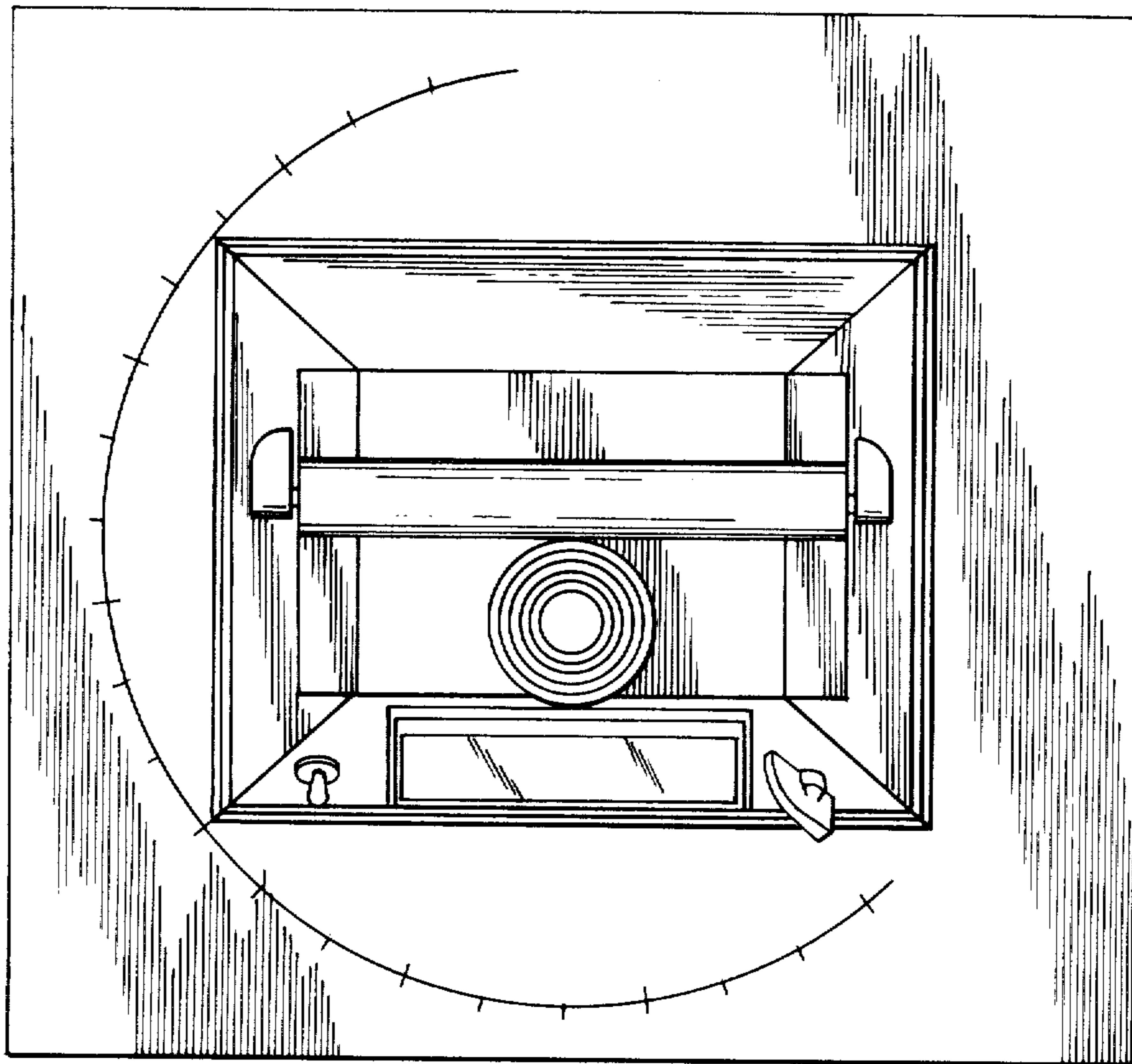


FIG. 1

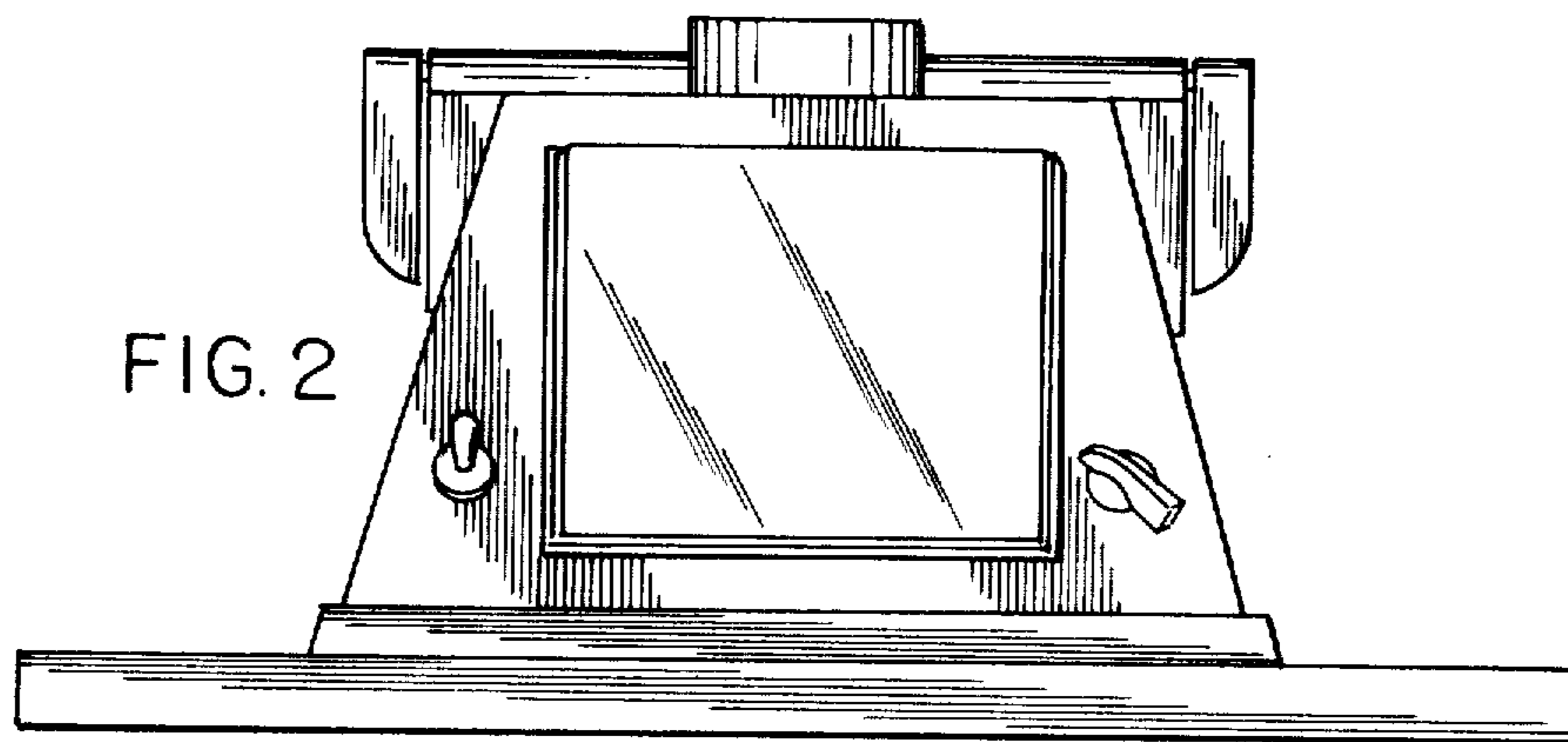


FIG. 2

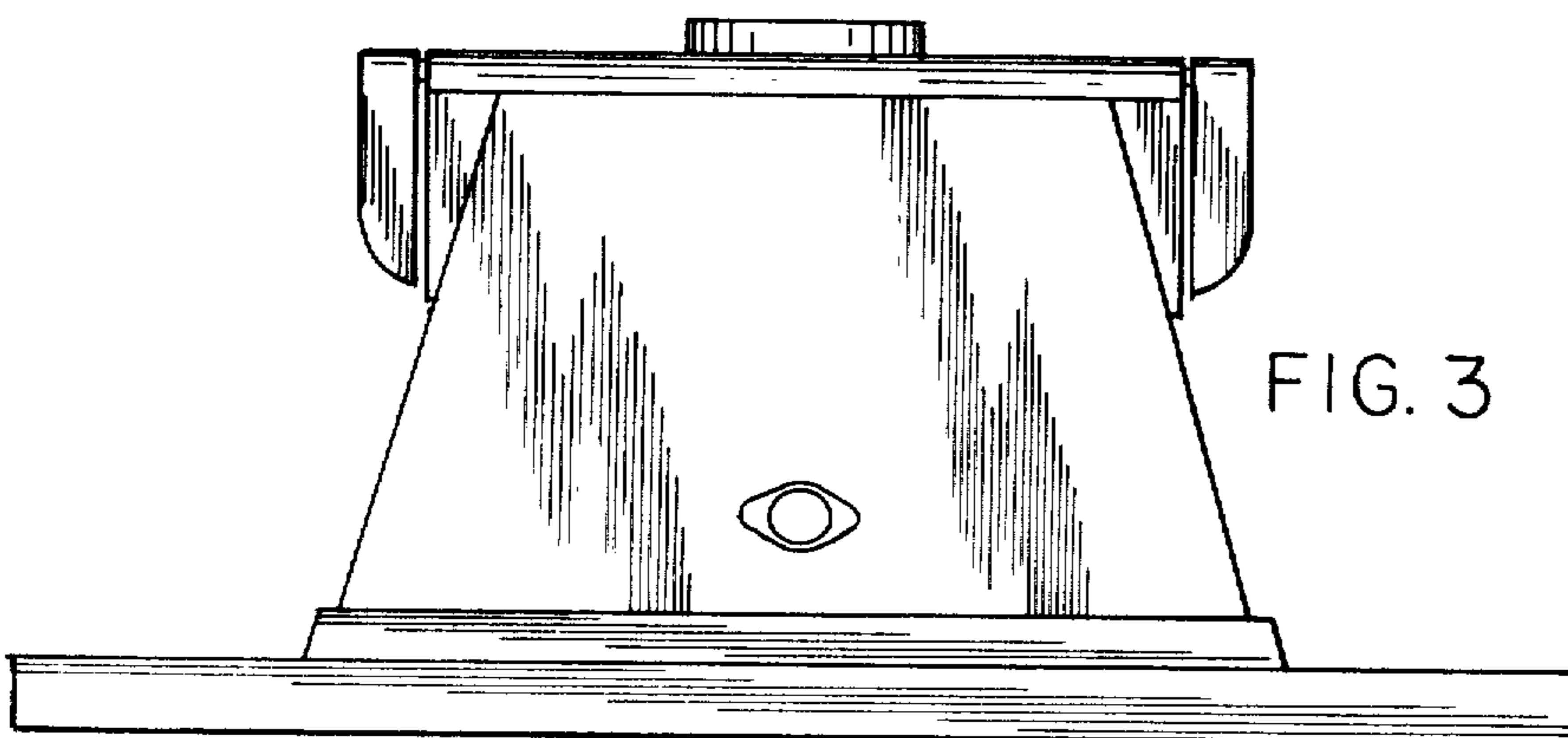


FIG. 3

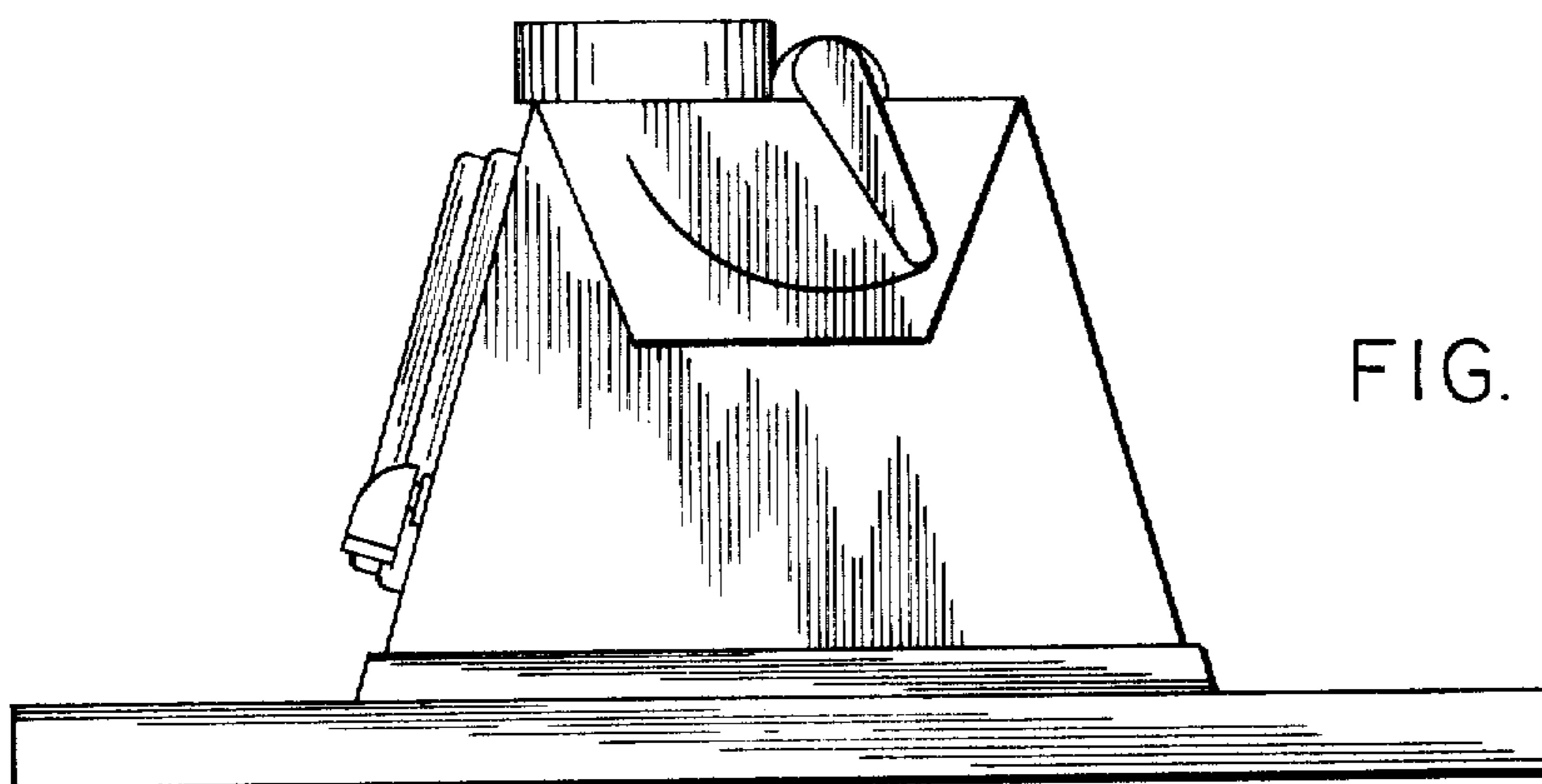


FIG. 4

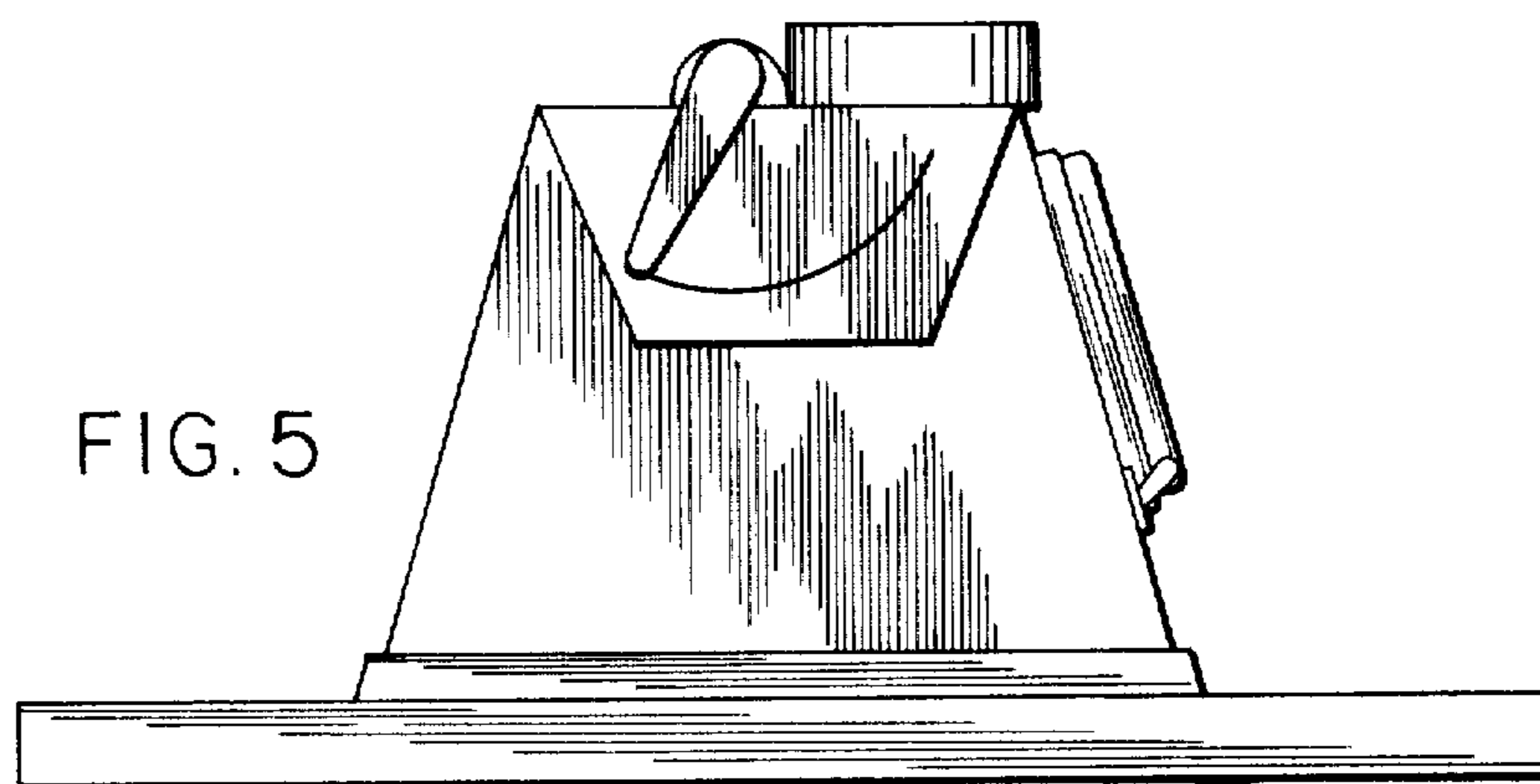


FIG. 5

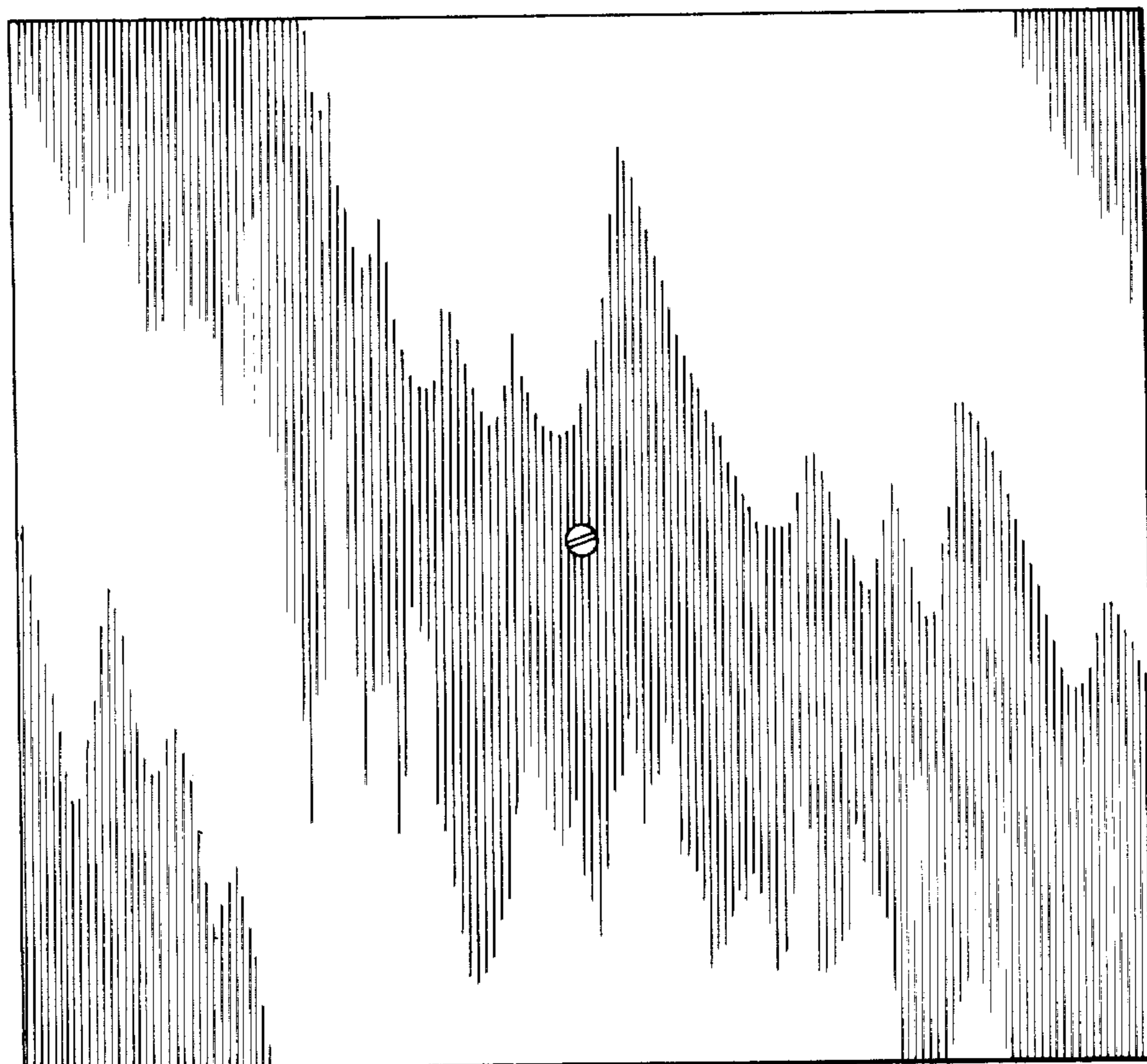


FIG. 6