

[54] **WINDMILL GENERATOR**

[76] **Inventor:** **David D. Deibert**, 15240 Grasshopper Rd., Huntingdon Valley, Pa. 19006

[**] **Term:** **14 Years**

[21] **Appl. No.:** **100,993**

[22] **Filed:** **Dec. 6, 1979**

[51] **Int. Cl.** **D15-01**
[52] **U.S. Cl.** **D15/1**
[58] **Field of Search** **D15/1; 416/132 B, 175, 416/189, 196 A, 197 A, 247 R, 117, 119, 41, 9, 17; 290/44.55**

[56] **References Cited**

U.S. PATENT DOCUMENTS

D. 209,349 11/1967 Fleming D15/1
1,136,827 4/1915 Montgomery 416/189

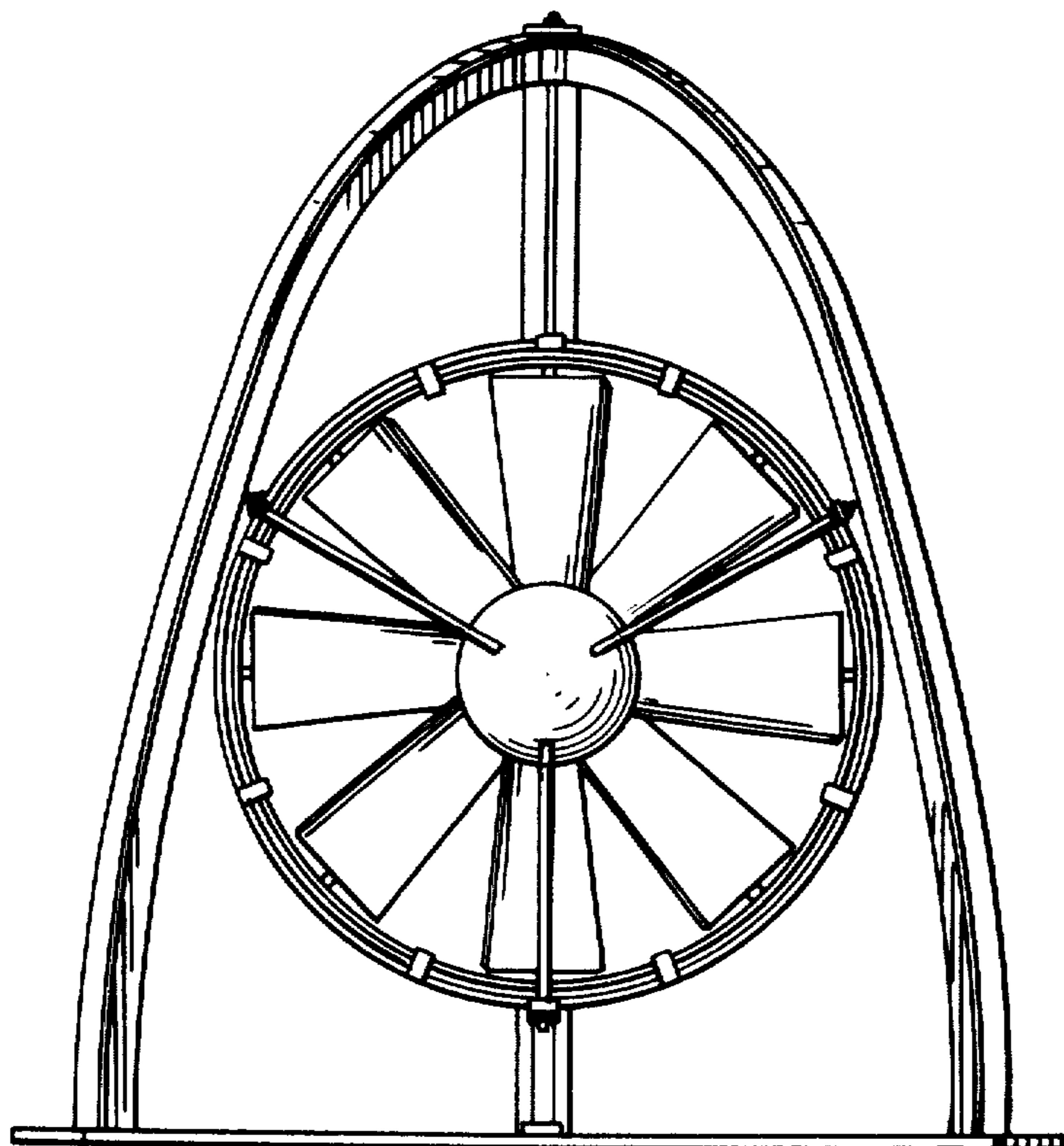
Primary Examiner—James M. Gandy
Attorney, Agent, or Firm—Walter B. Udell

[57] **CLAIM**

The ornamental design for a windmill generator, as shown and described.

DESCRIPTION

FIG. 1 is a front elevational view of a windmill generator showing my new design;
FIG. 2 is a rear elevational view thereof;
FIG. 3 is a top plan view thereof;
FIG. 4 is a side elevational view thereof, the opposite side being a mirror image of the side shown; and
FIG. 5 is a bottom plan view thereof on a reduced scale.



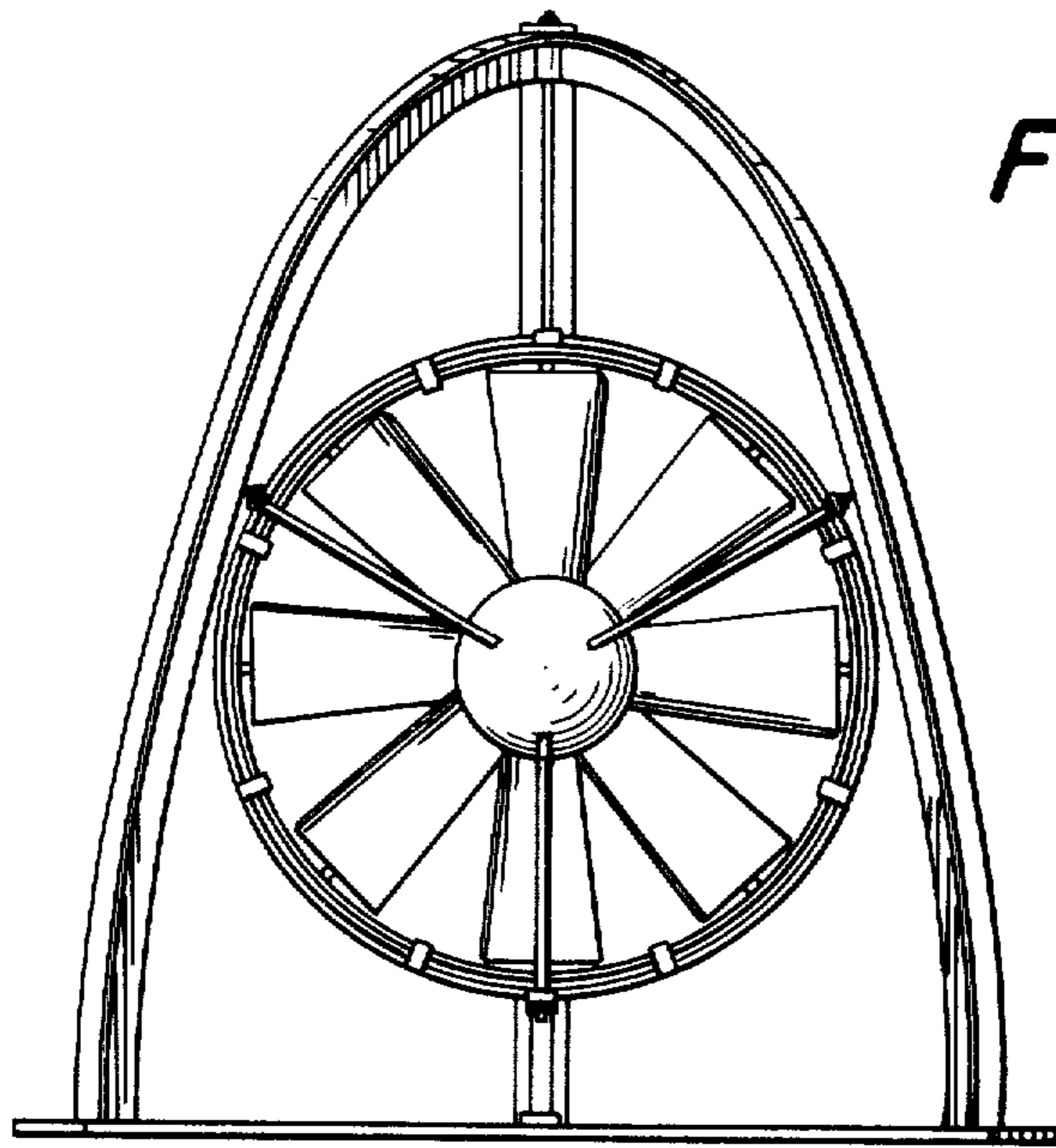


FIG. 1

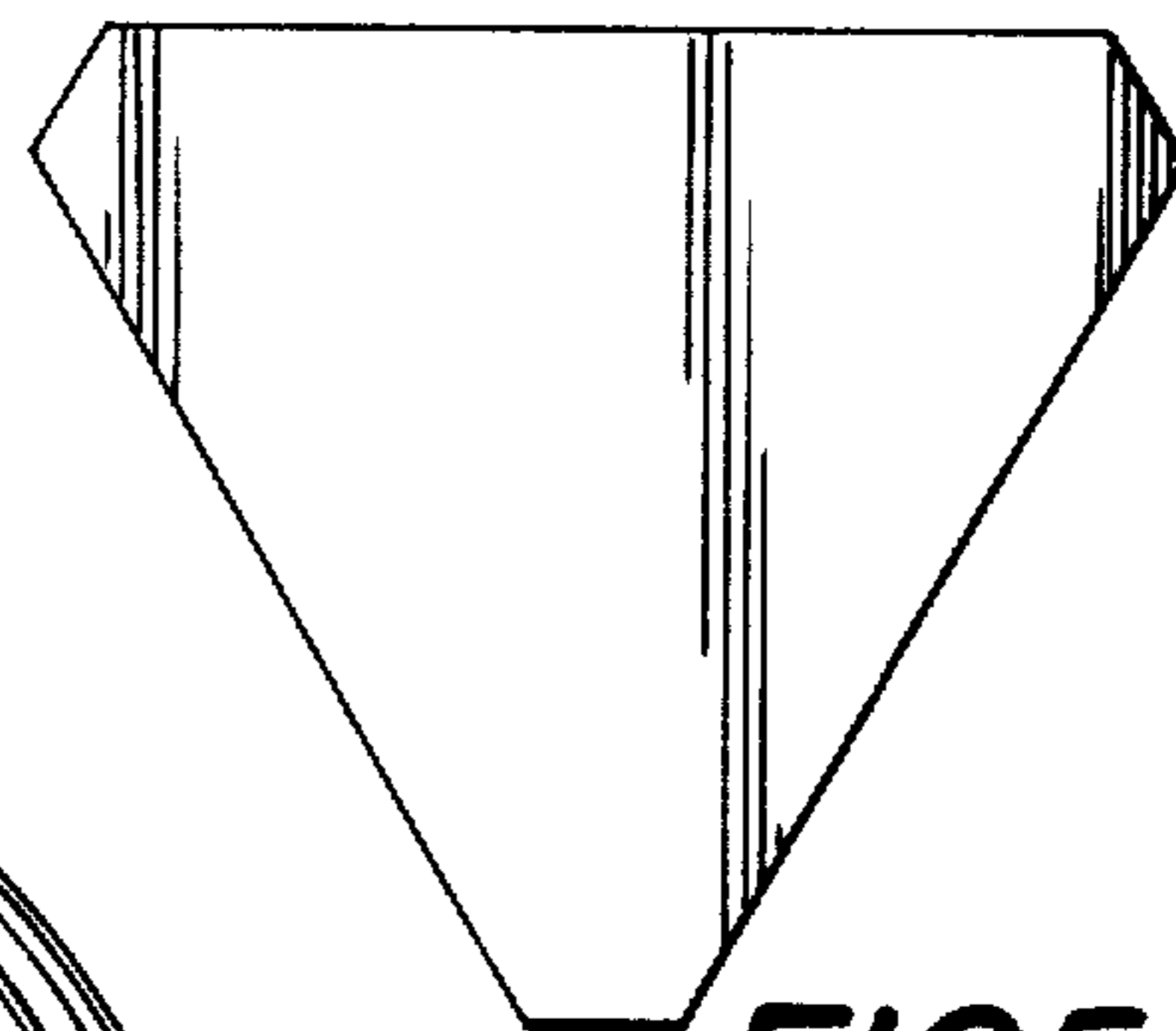
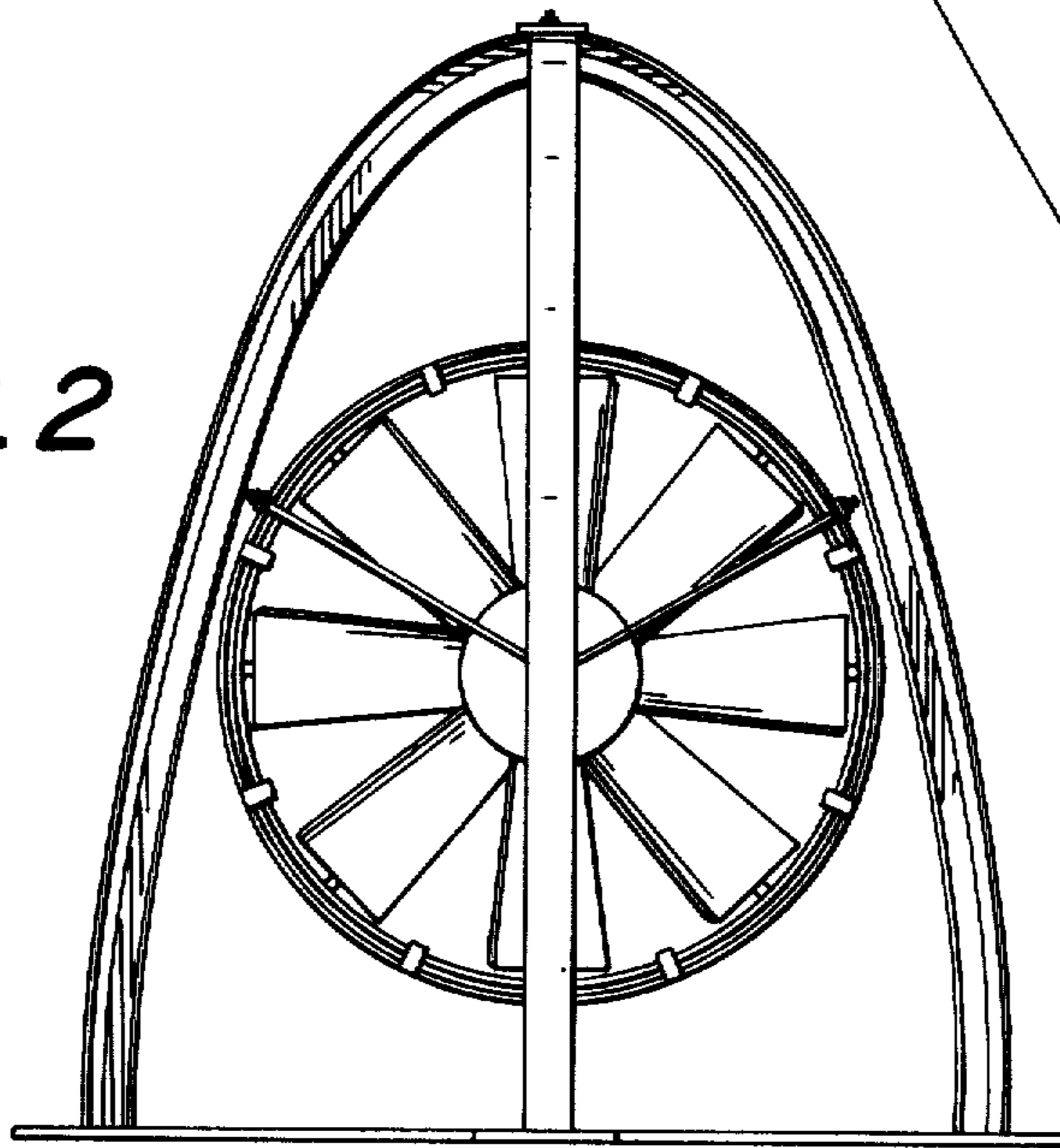


FIG. 5

FIG. 2



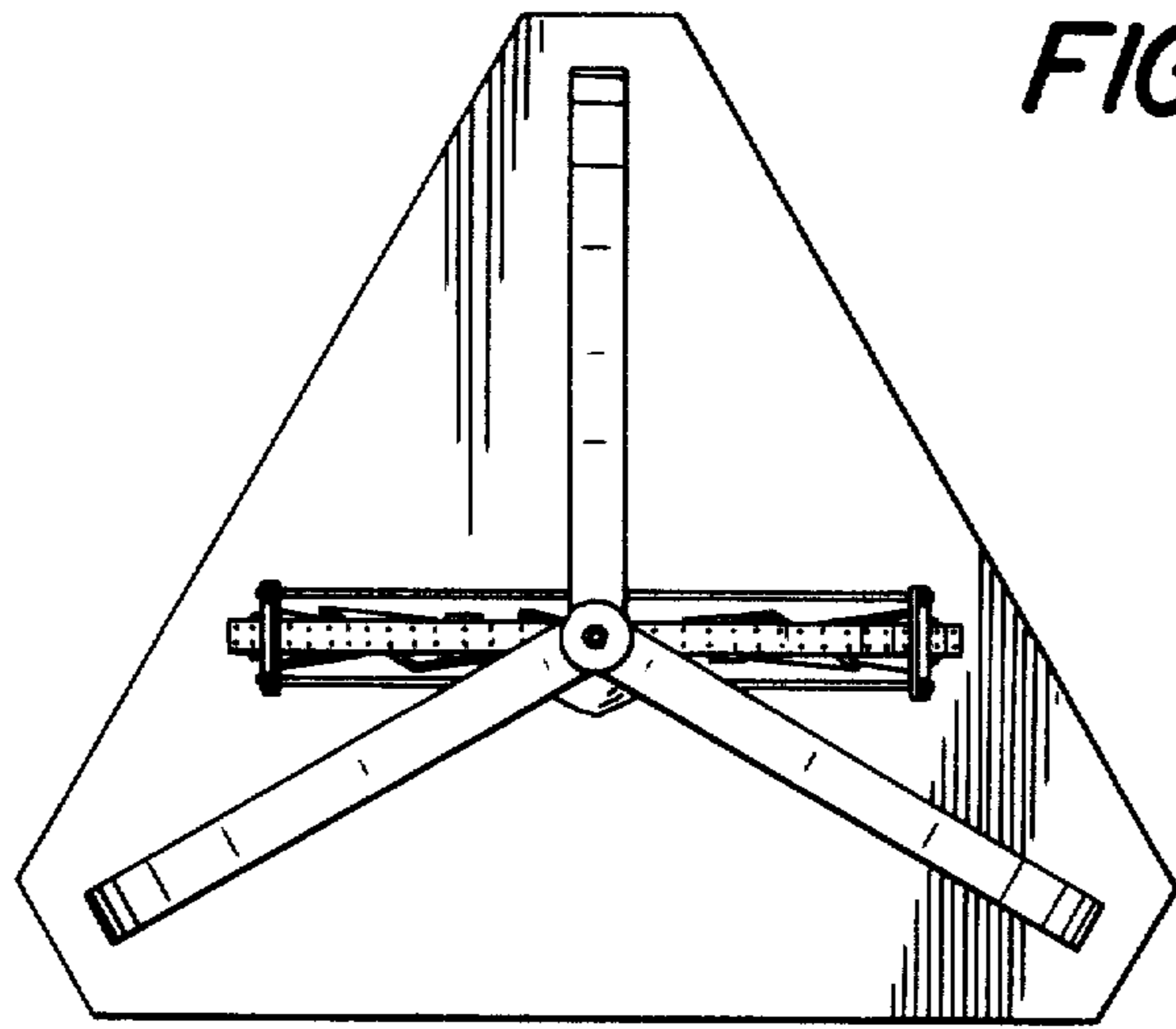


FIG. 3

FIG. 4

