

[54] COMPUTER HOUSING

[75] Inventor: Bernard A. Grae, Fort Worth, Tex.

[73] Assignee: Tandy Corporation, Fort Worth, Tex.

[\*\*] Term: 14 Years

[21] Appl. No.: 90,451

[22] Filed: Nov. 1, 1979

[51] Int. Cl. .... D14-02  
[52] U.S. Cl. .... D14/106; D14/105  
[58] Field of Search ..... D14/40-50;  
340/700, 711, 712, 720, 750, 798, 799, 365 R;  
364/900

[56] References Cited

U.S. PATENT DOCUMENTS

D. 244,614 6/1977 Gilmore et al. .... D14/43  
D. 248,299 6/1978 Morgan et al. .... D14/45

OTHER PUBLICATIONS

Office Products, 9-1977, p. 60, Word Processor.

Primary Examiner—Susan J. Lucas

Attorney, Agent, or Firm—Gary V. Pack

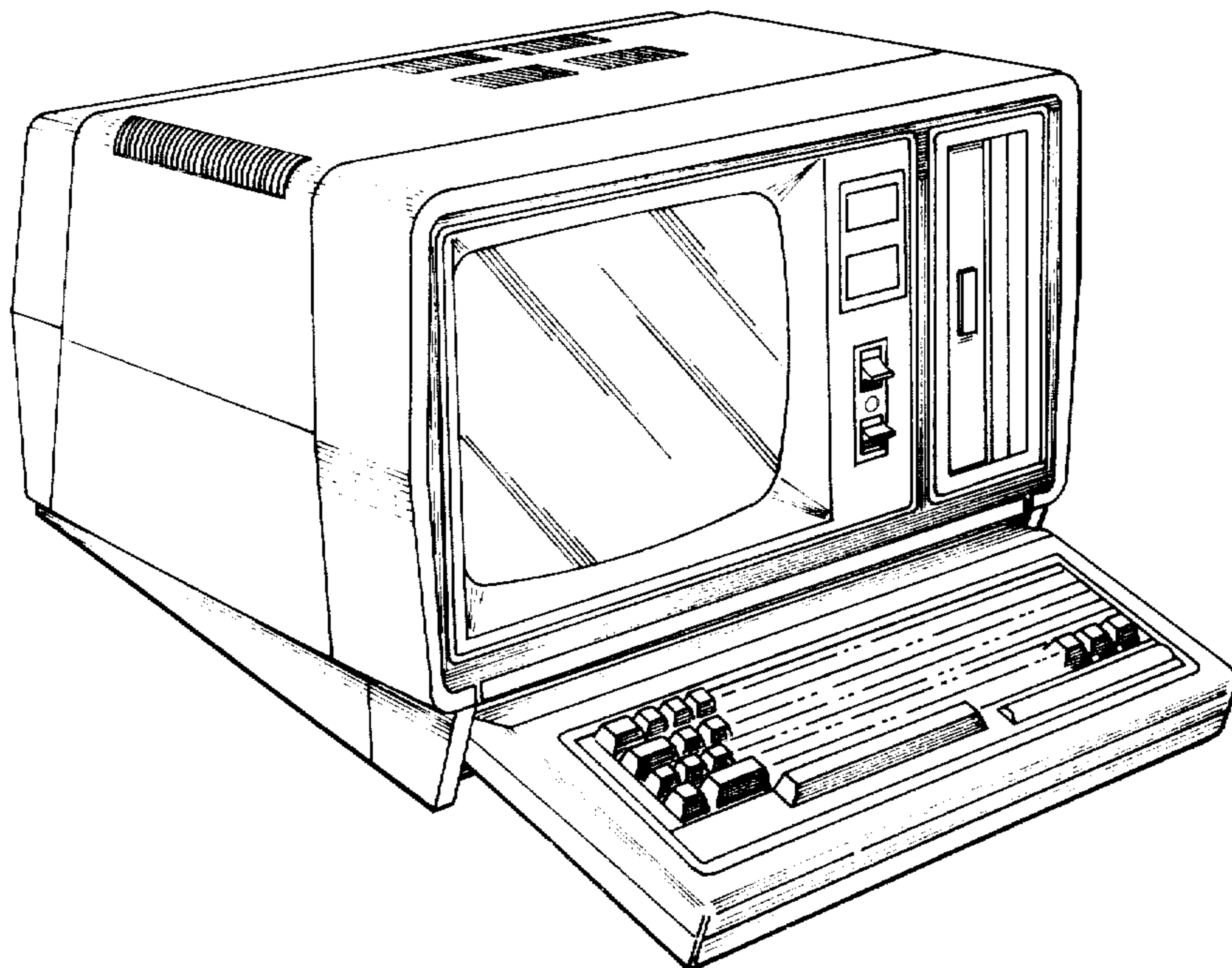
[57] CLAIM

The ornamental design for a computer housing, as shown and described.

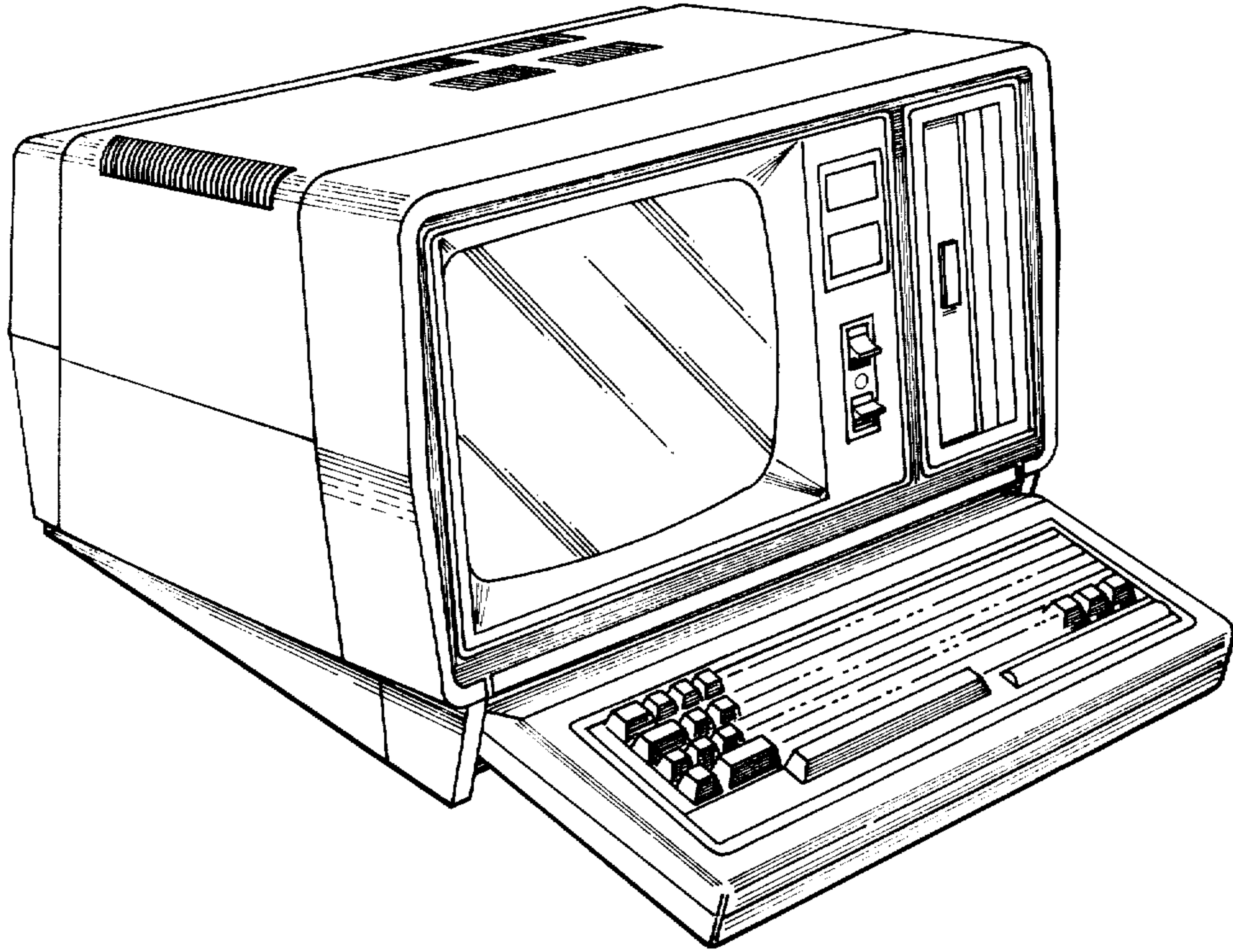
DESCRIPTION

FIG. 1 is a front, top, and left side perspective view of a computer housing embodying my new design; and FIG. 2 is a rear, top, and right side perspective view thereof.

The keys are partially shown on the keyboard for the ease of illustration, it being understood that the omitted keys are identical in appearance to the keys shown in the lower righthand corner of the keyboard.



*Fig. 1*



*Fig. 2*

