

[54] DOCUMENT PROCESSING WORK STATION

[56]

References Cited

[75] Inventors: Arnold M. Davis, Saugerties; David L. Schaum, Woodstock, both of N.Y.

U.S. PATENT DOCUMENTS

D.182,698	4/1958	Wells	D13/40
D. 238,282	12/1975	Shawen et al.	D14/44
D. 248,648	7/1978	Clayton et al.	D14/40
4,027,142	5/1977	Paup et al.	235/379
4,113,331	9/1978	Derdzinski	D14/42 X

[73] Assignee: International Business Machines Corporation, Armonk, N.Y.

Primary Examiner—Susan J. Lucas
Attorney, Agent, or Firm—Frederick D. Poag

[**] Term: 14 Years

[57] CLAIM

[21] Appl. No.: 84,979

The ornamental design for a document processing work station, as shown.

[22] Filed: Oct. 15, 1979

DESCRIPTION

[51] Int. Cl. D14—02

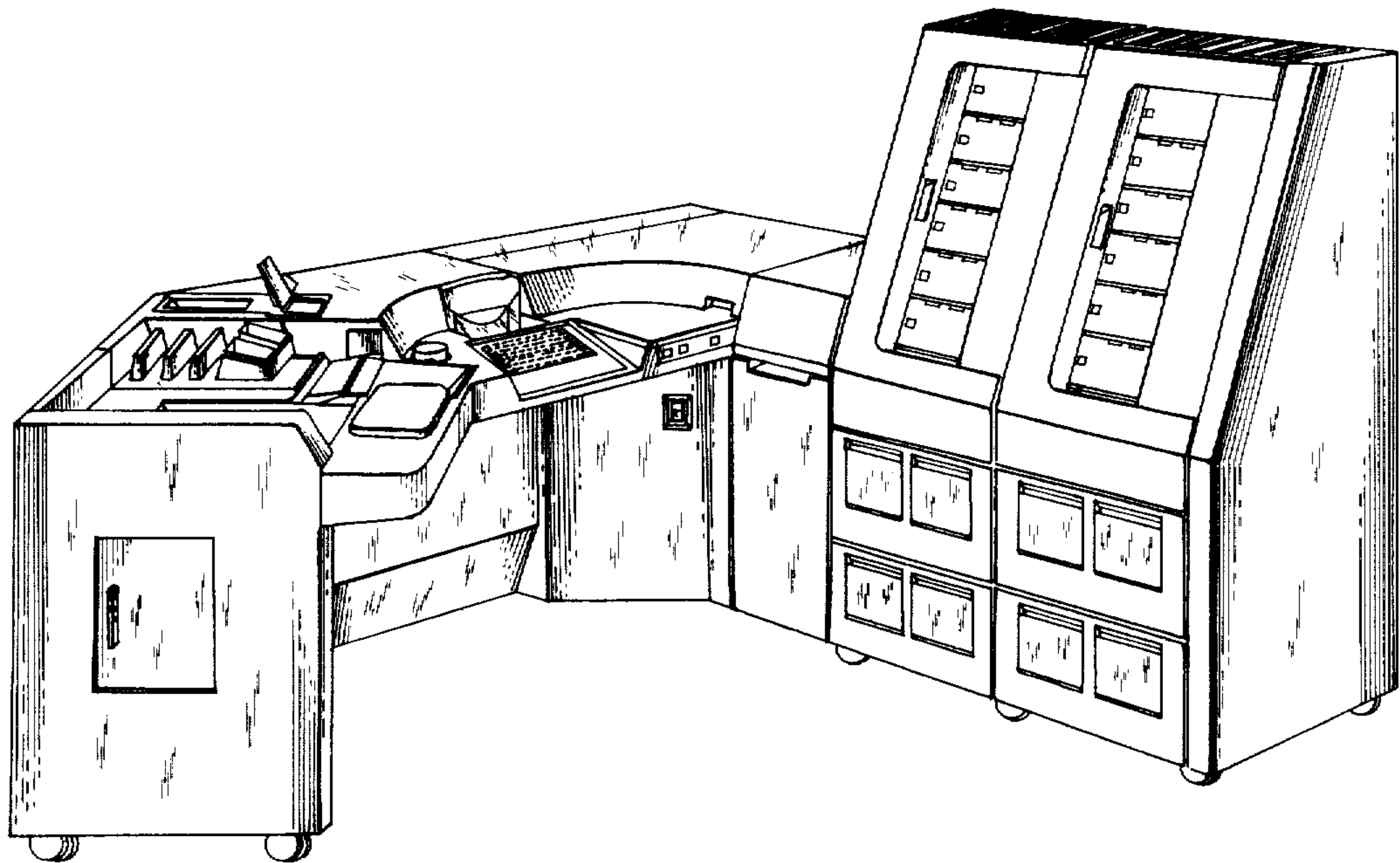
FIG. 1 is a front perspective view of a document processing work station showing our new design.

[52] U.S. Cl. D14/104

FIG. 2 is a left perspective view thereof.

[58] Field of Search D14/40-50;
364/900; 235/375, 379, 380; 312/223

FIG. 3 is a rear perspective view thereof.



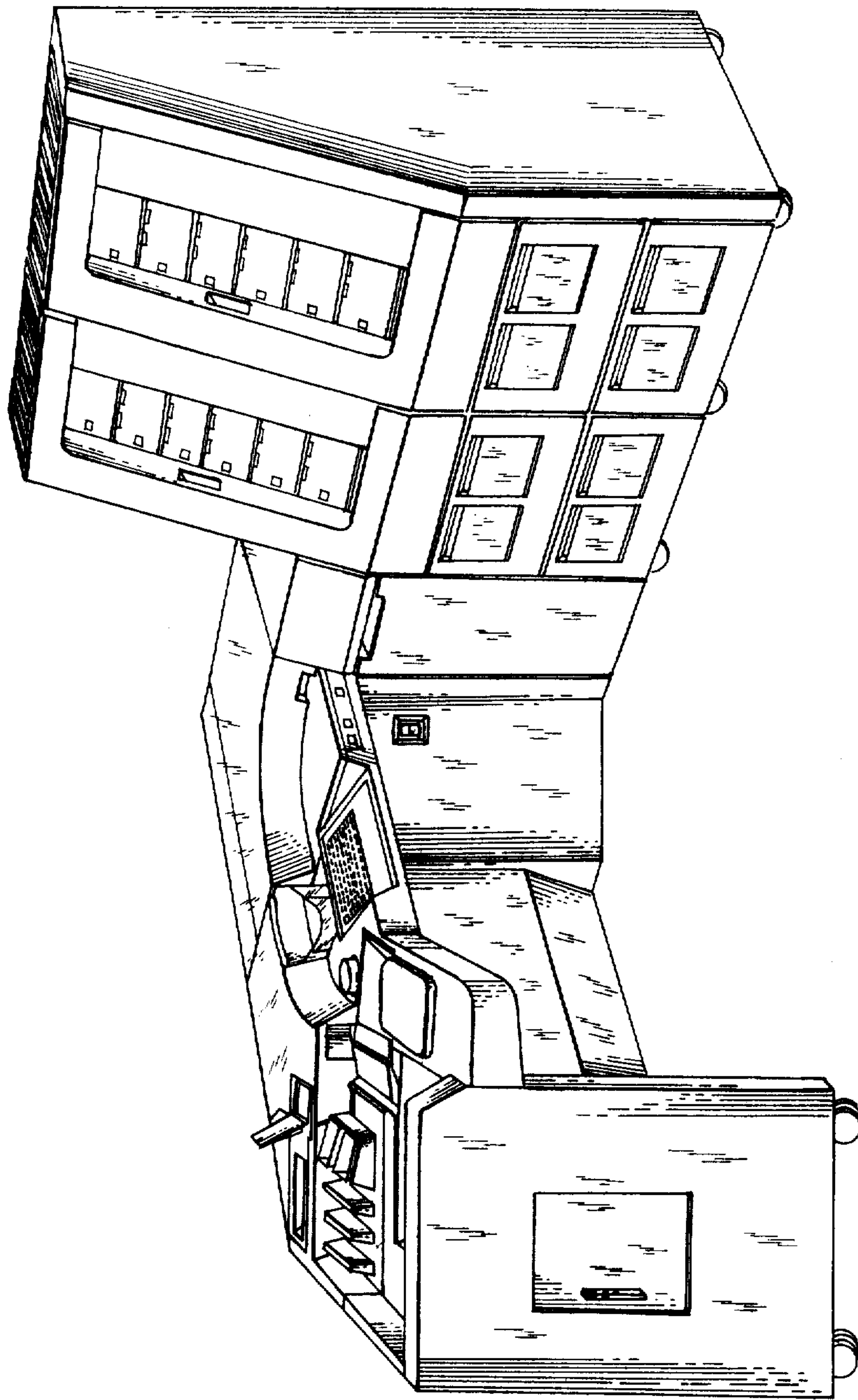


FIG. 1

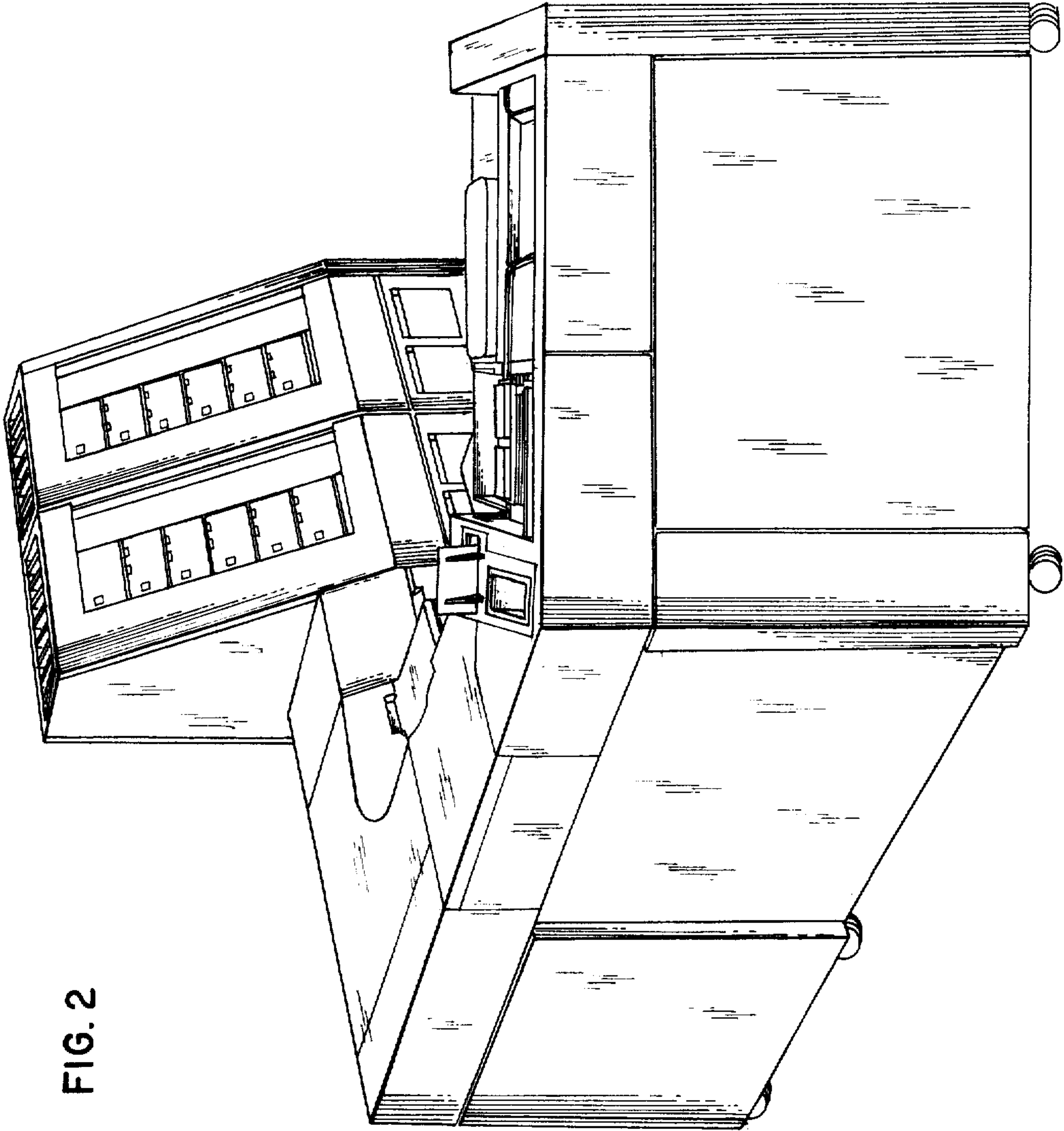


FIG. 2

FIG. 3

