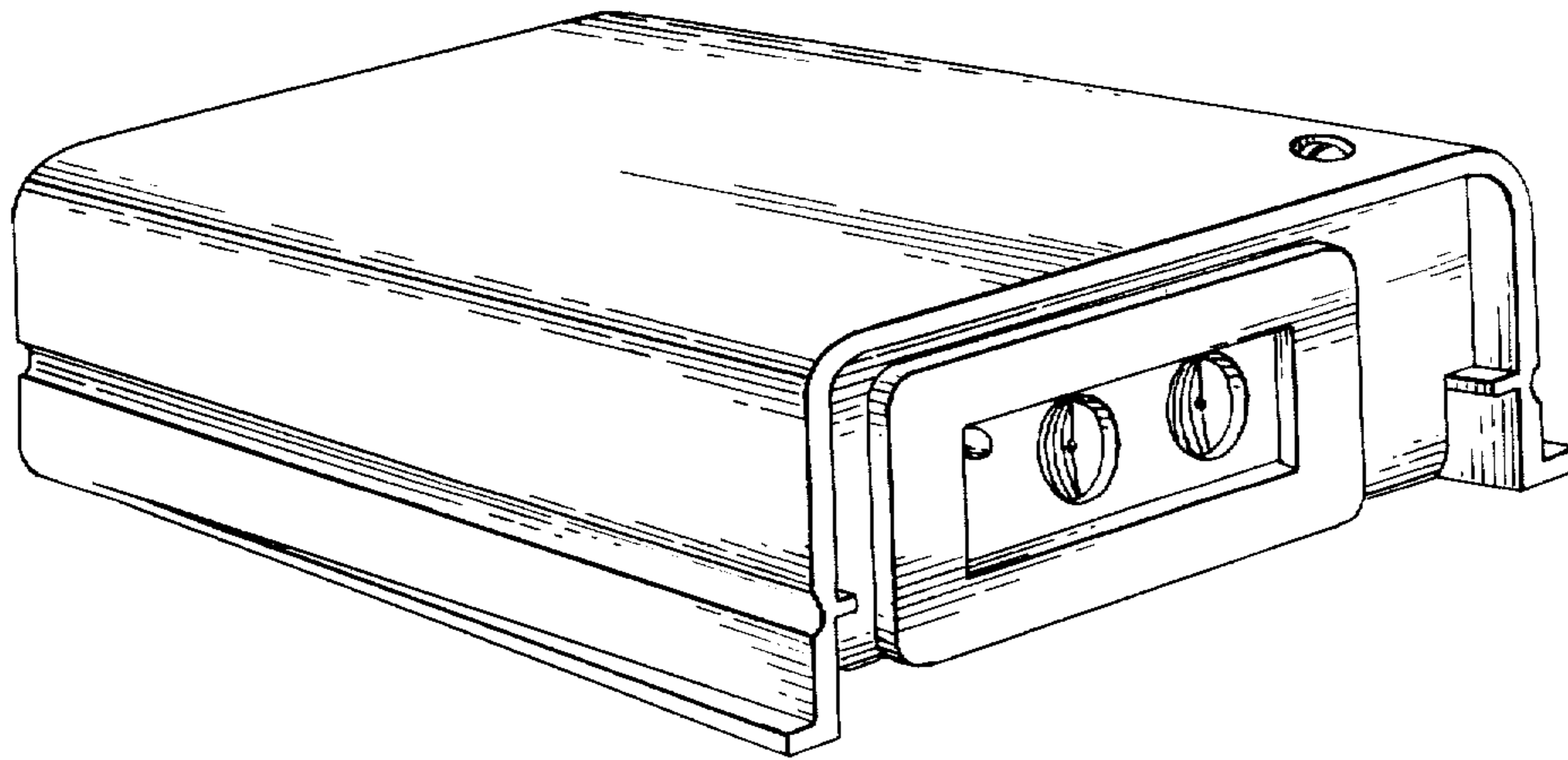


[54] **PROTECTOR TERMINAL BOX**
[75] Inventor: **Fred Möller, Vårby, Sweden**
[73] Assignee: **Telefonaktiebolaget L M Ericsson, Stockholm, Sweden**
[**] Term: **14 Years**
[21] Appl. No.: **28,066**
[22] Filed: **Apr. 9, 1979**
[51] **Int. Cl.** **D13—02**
[52] **U.S. Cl.** **D13/11; D13/41**
[58] **Field of Search** **D13/35, 41, 11; 337/186, 197, 199, 200; 220/3.2, 33; 174/50 R, 52 R**

[56] **References Cited**
U.S. PATENT DOCUMENTS
3,828,290 8/1974 Kawiecki 337/186
Primary Examiner—Peter M. Caun
Attorney, Agent, or Firm—Hane, Roberts, Spicens & Cohen

[57] **CLAIM**
The ornamental design for a protector terminal box, as shown.

DESCRIPTION
FIG. 1 is a side view of a protector terminal box showing my design, the other side being the same;
FIG. 2 is a rear perspective view of the fuse box;
FIG. 3 is a bottom view of the fuse box;
FIG. 4 is a rear view of the fuse box; and
FIG. 5 is a front perspective view of the fuse box.



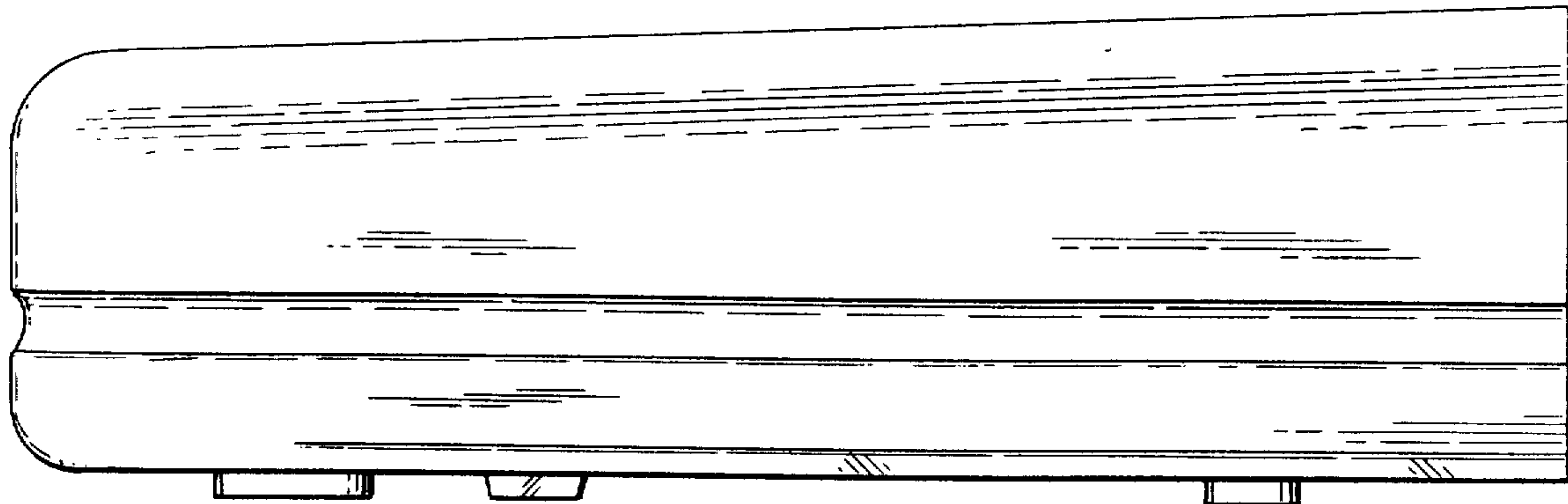


Fig. 1

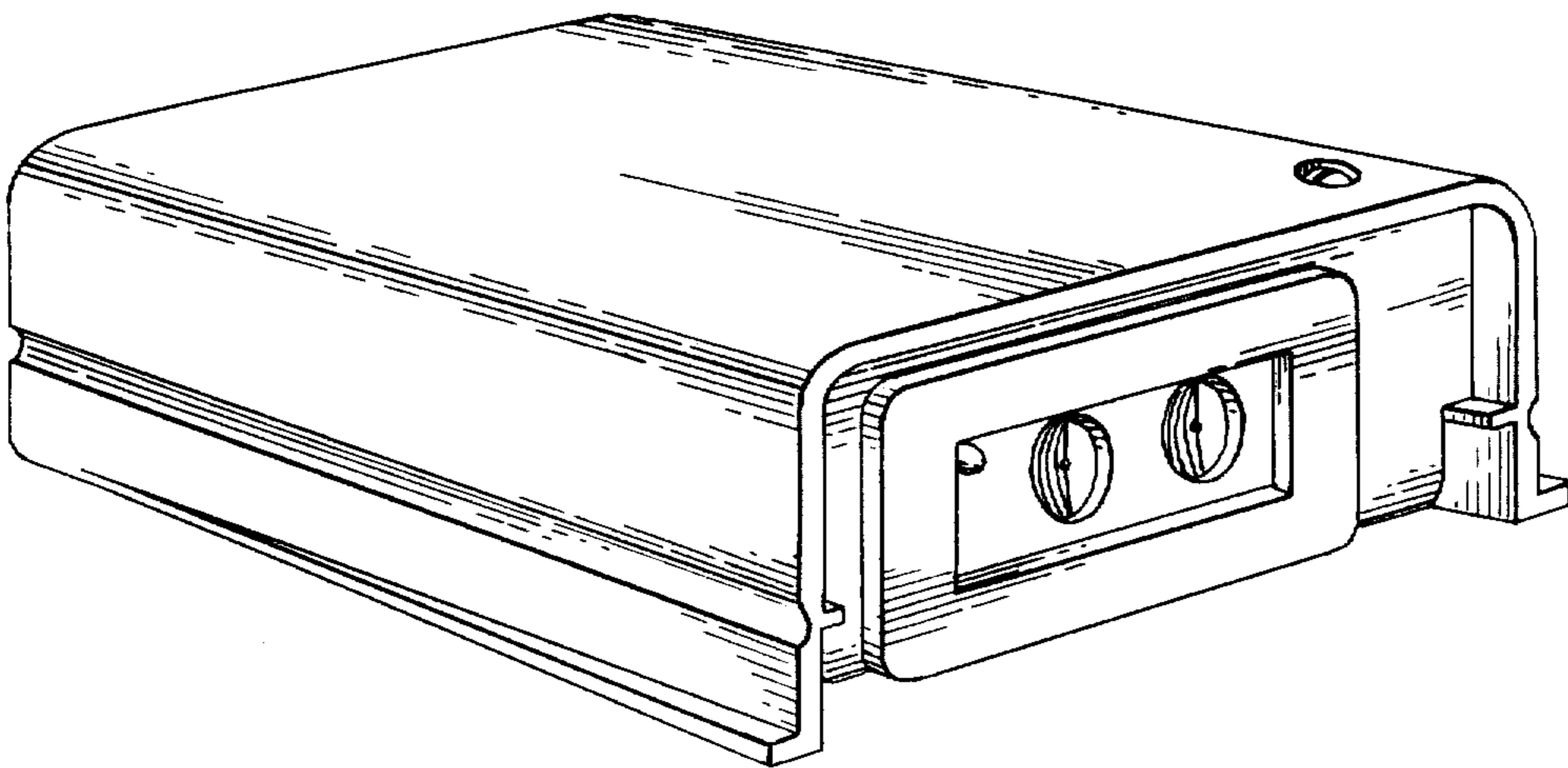


Fig. 2

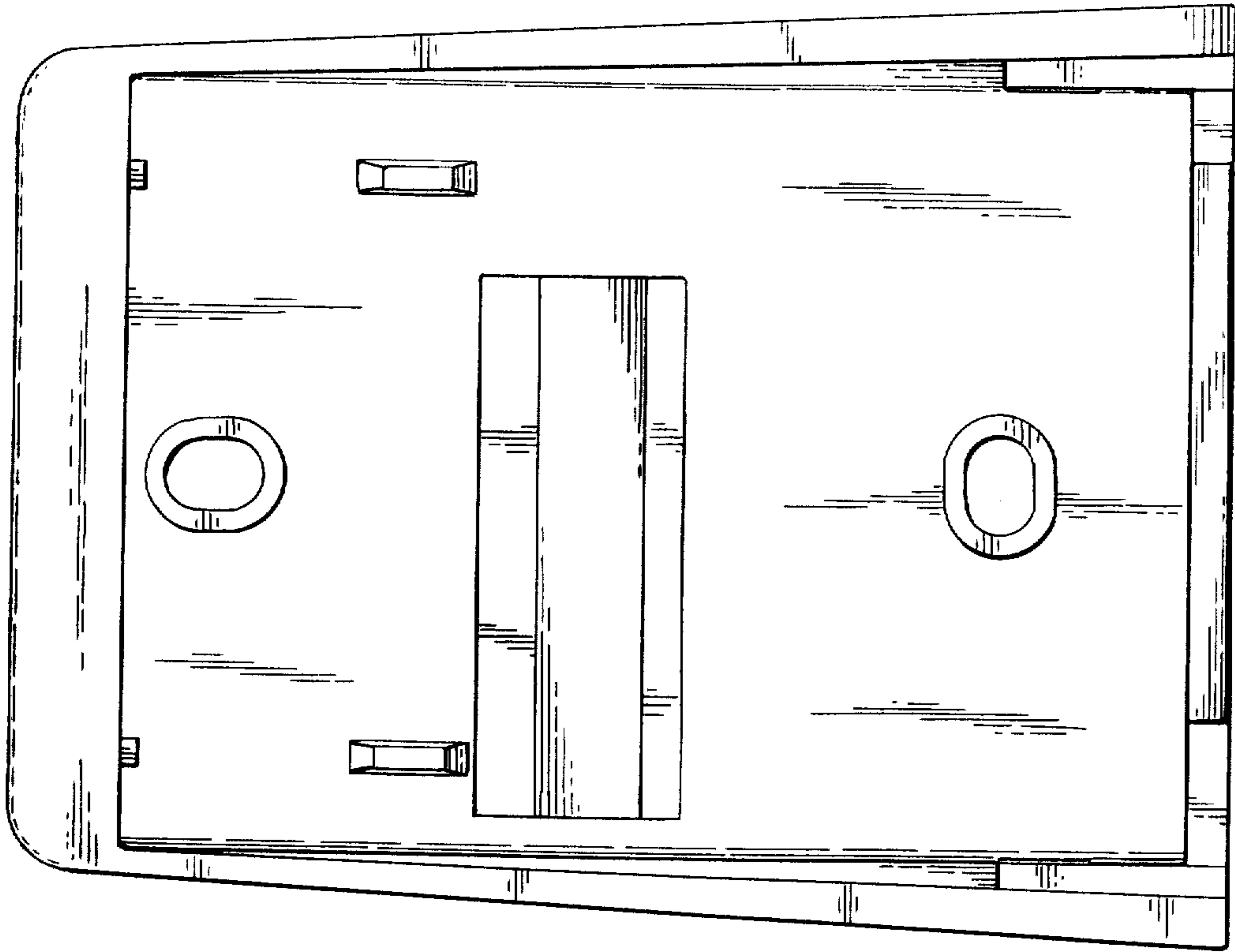


Fig.3

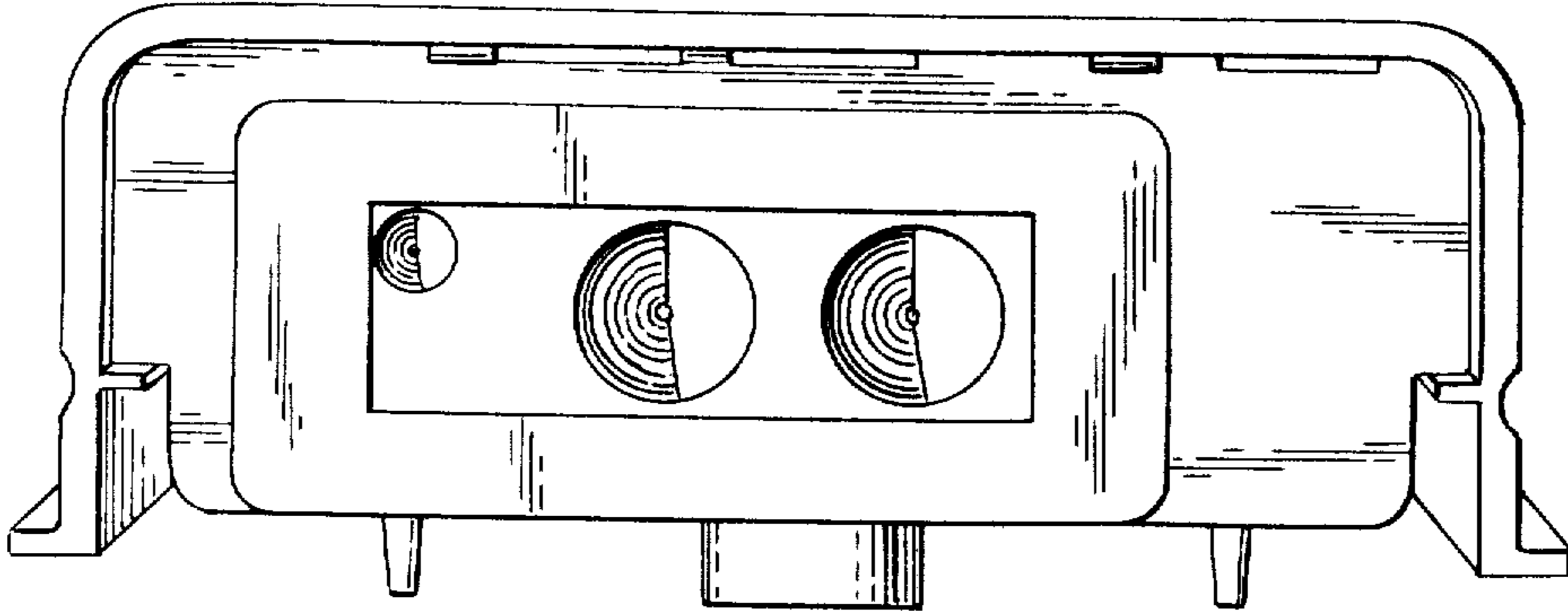


Fig. 4

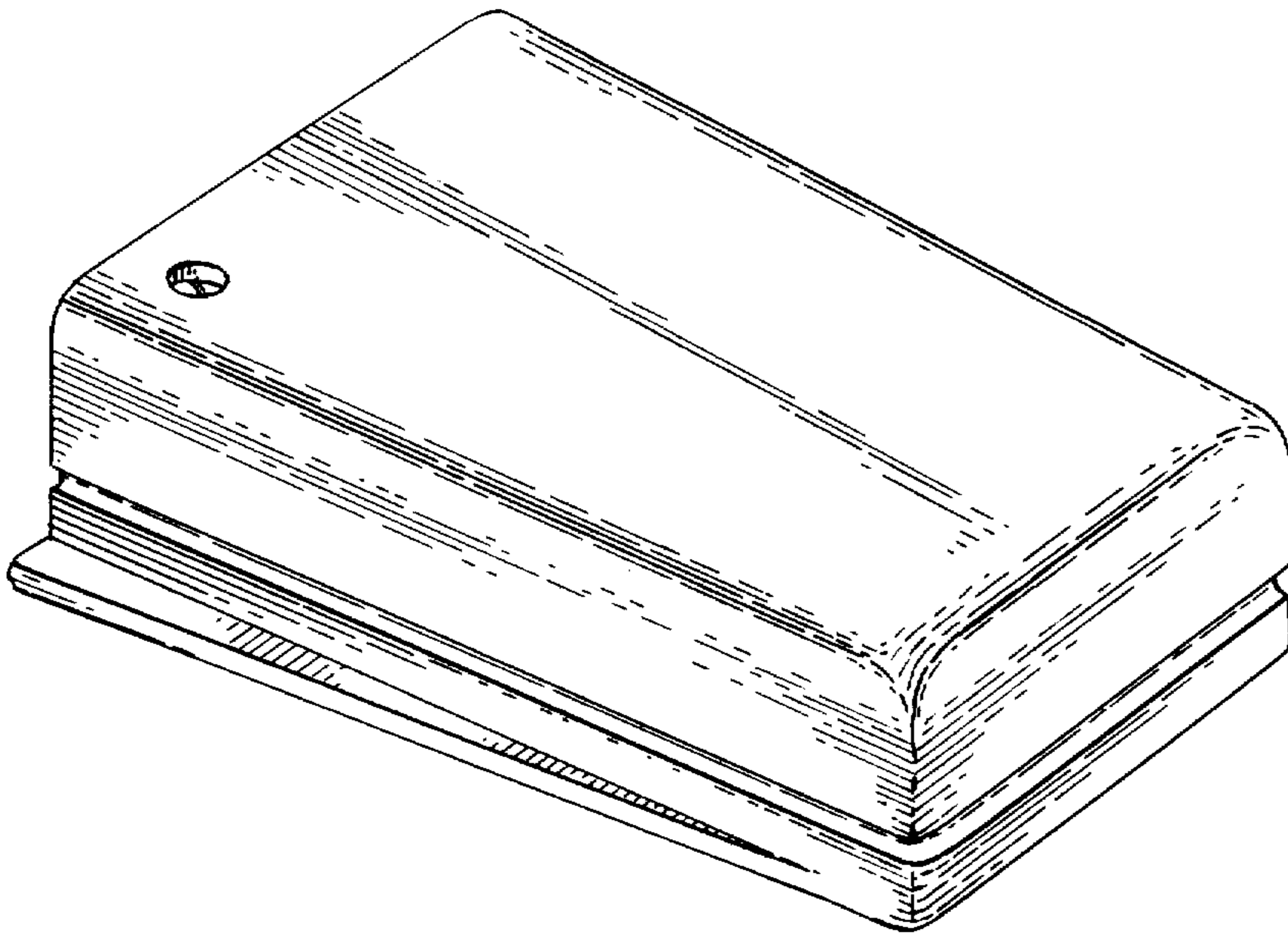


Fig. 5