

[54] **JET AIRCRAFT**

[76] **Inventor:** Stephen L. Snyder, 5801 Magnolia Ave., Pennsauken, N.J. 08109

[**] **Term:** 14 Years

[21] **Appl. No.:** 971,946

[22] **Filed:** Dec. 21, 1978

[51] **Int. Cl.** D12-07

[52] **U.S. Cl.** D12/341

[58] **Field of Search** D12/80; 244/15

[56] **References Cited**

U.S. PATENT DOCUMENTS

D. 212,512 10/1968 Smith D12/80

Primary Examiner—Sam Rosen

Attorney, Agent, or Firm—Harvey B. Jacobson

[57] **CLAIM**

The ornamental design for a jet aircraft, as shown and described.

DESCRIPTION

FIG. 1 is a perspective view of a jet aircraft showing my new design;
FIG. 2 is a side elevation view thereof;
FIG. 3 is a bottom plan view thereof;
FIG. 4 is a front elevation view thereof;
FIG. 5 is a perspective view of an aircraft embodying a variation of the new design shown in FIG. 1;
FIG. 6 is a side elevation view thereof;
FIG. 7 is a top plan view thereof; and
FIG. 8 is a front elevation view thereof.
FIGS. 1, 3 and 5 illustrate the aircraft in flight with the landing gear retracted.

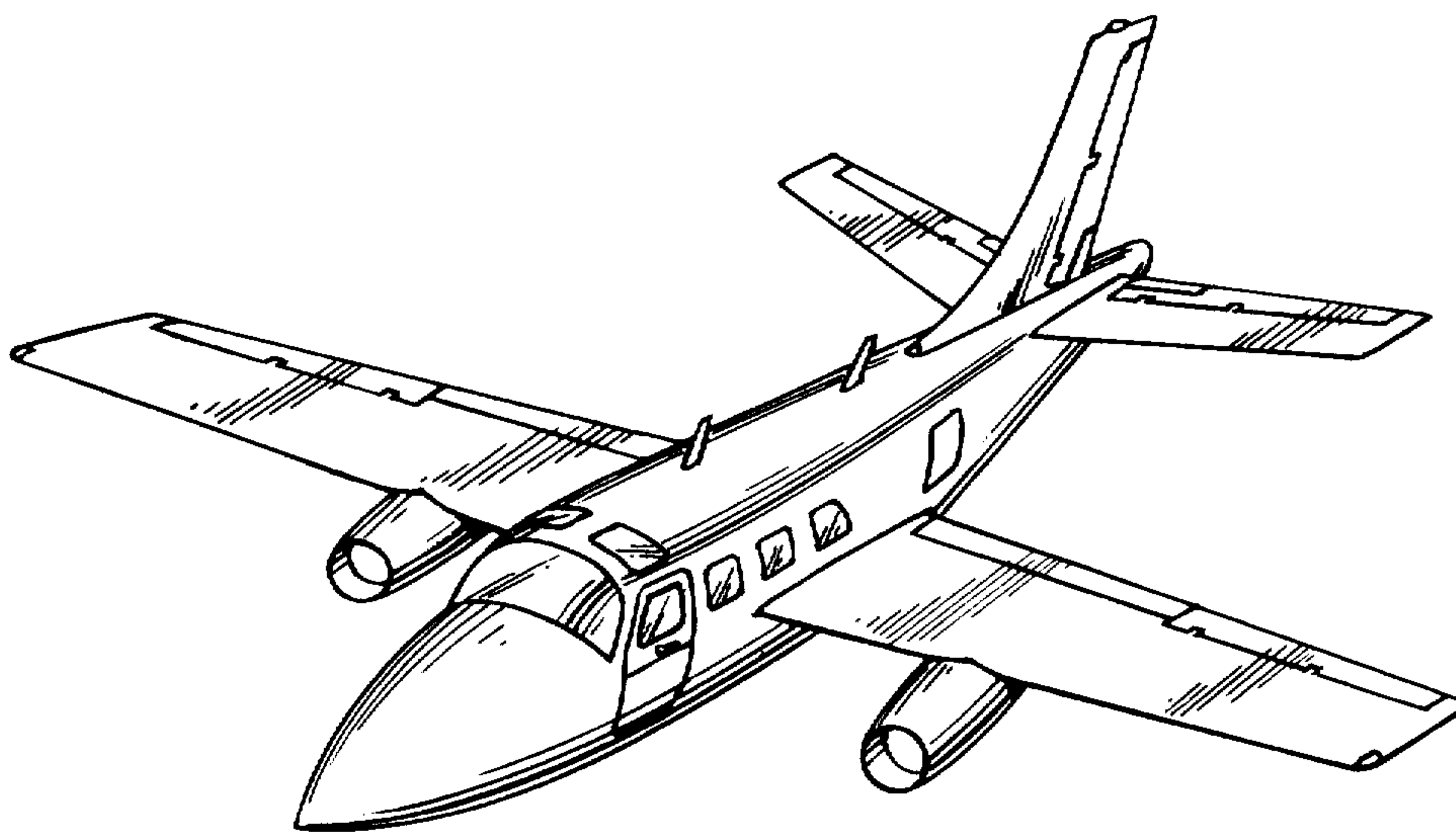


Fig. 1

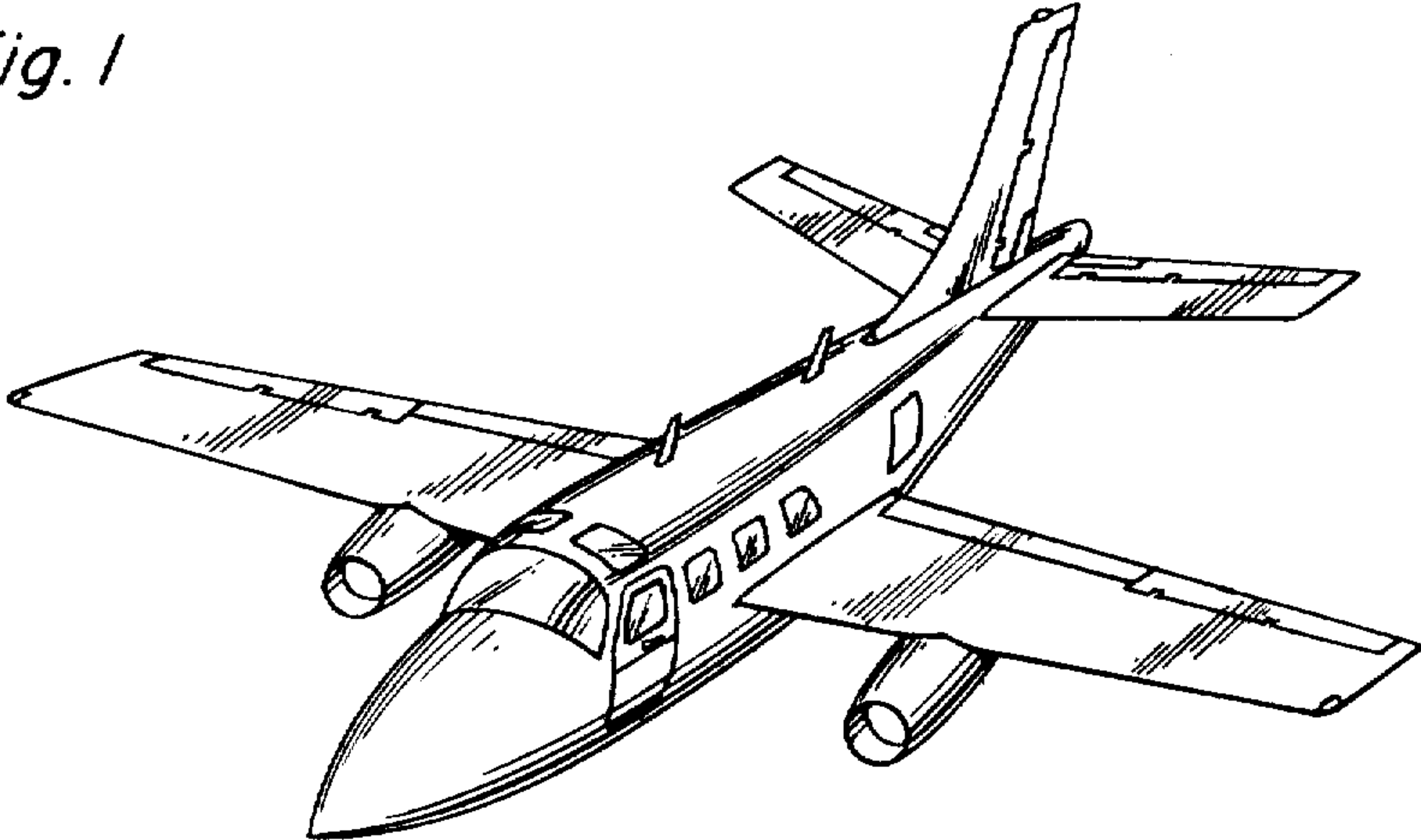


Fig. 2

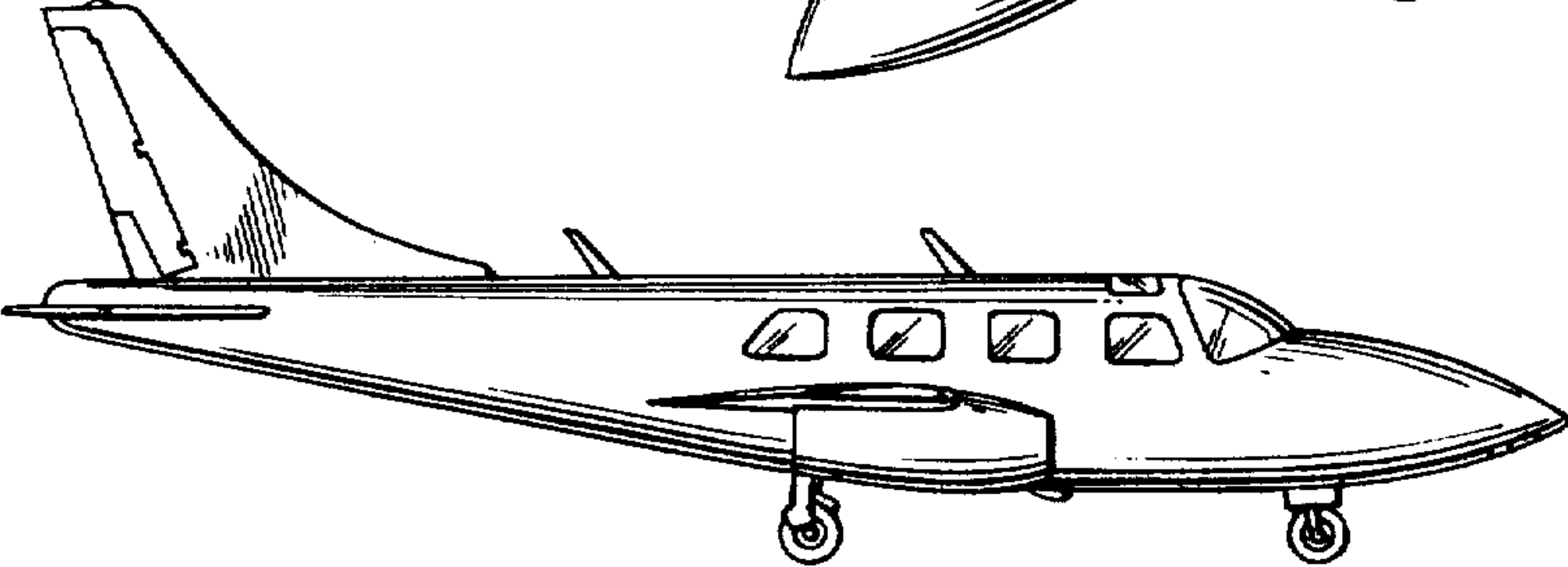


Fig. 3

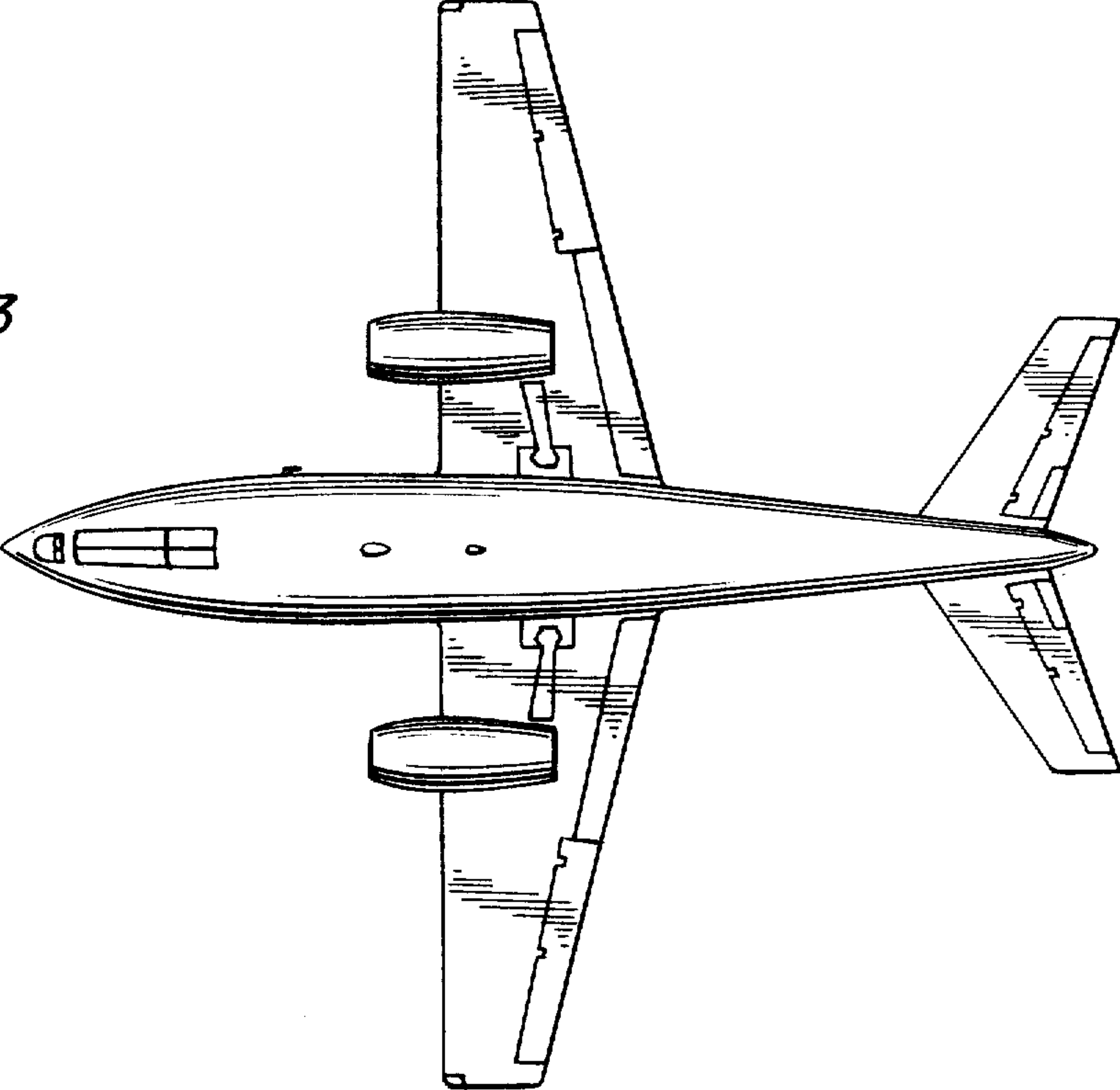


Fig. 4

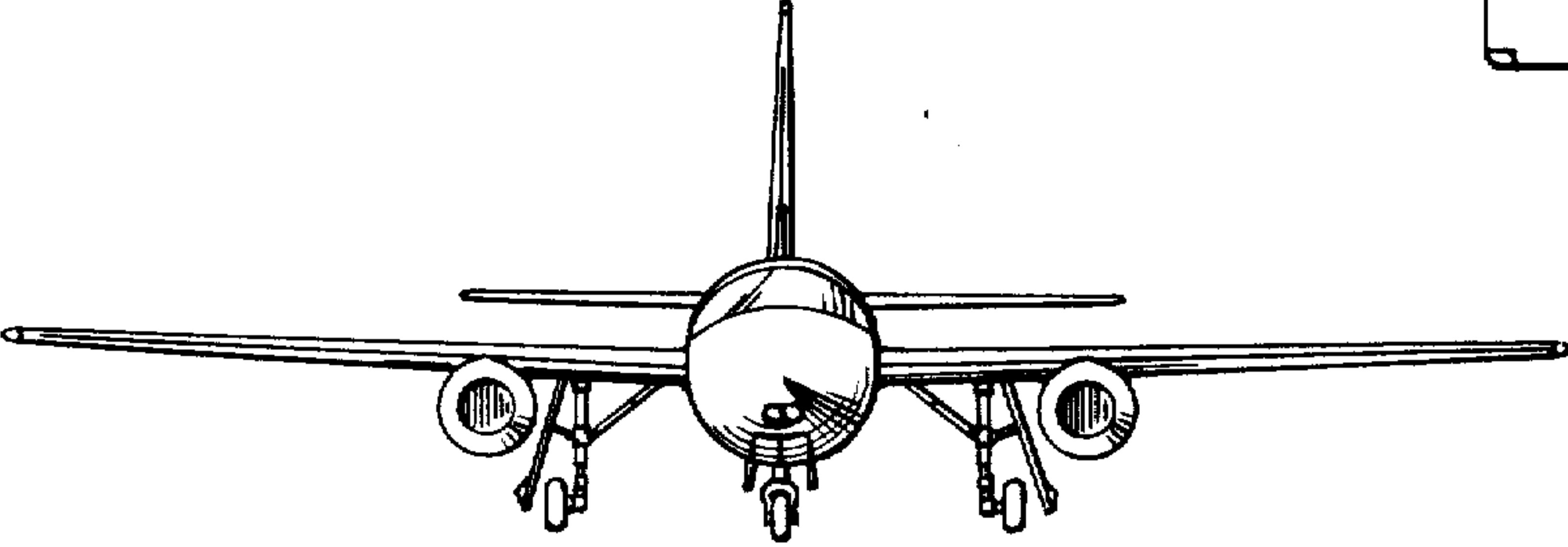


Fig. 5

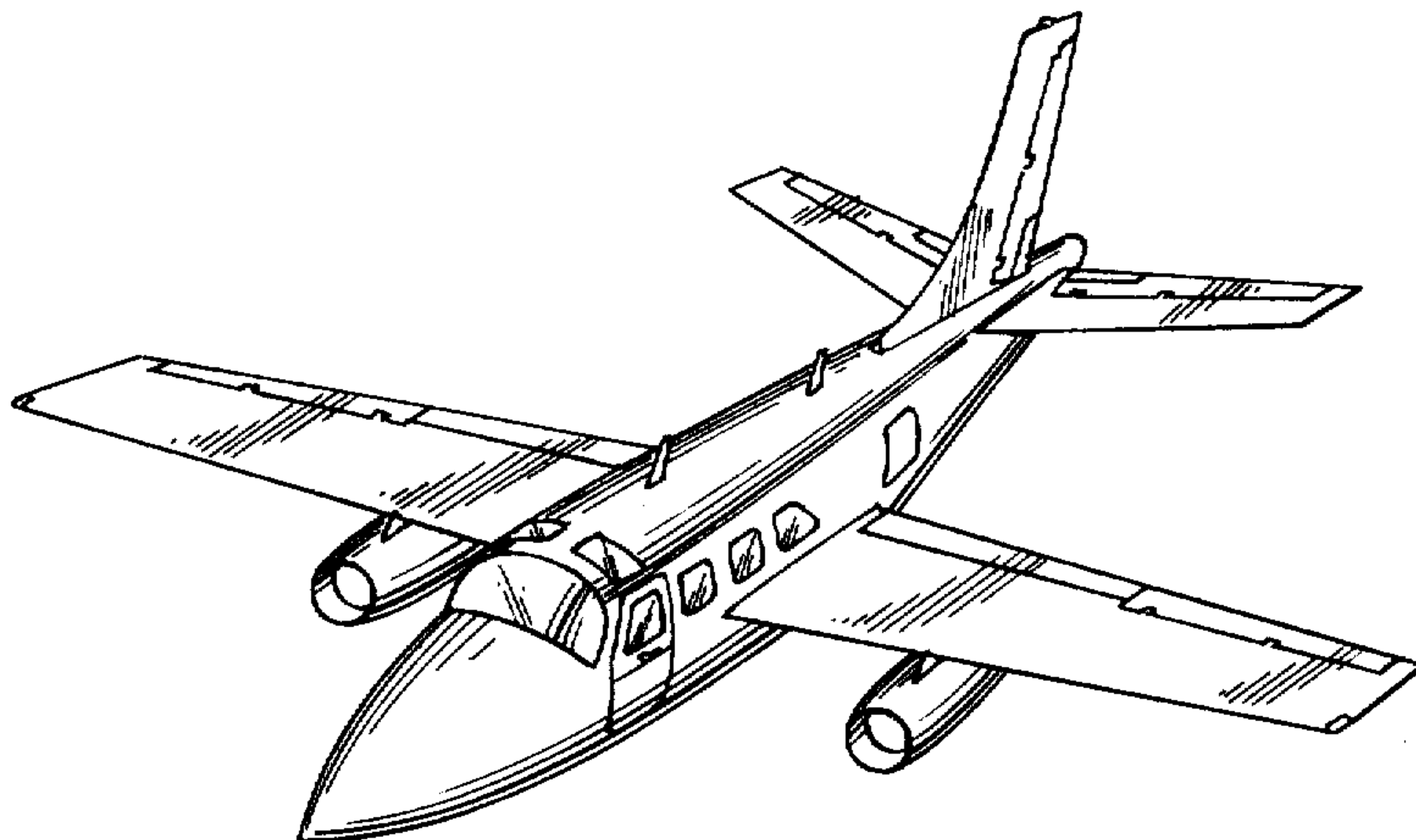


Fig. 6

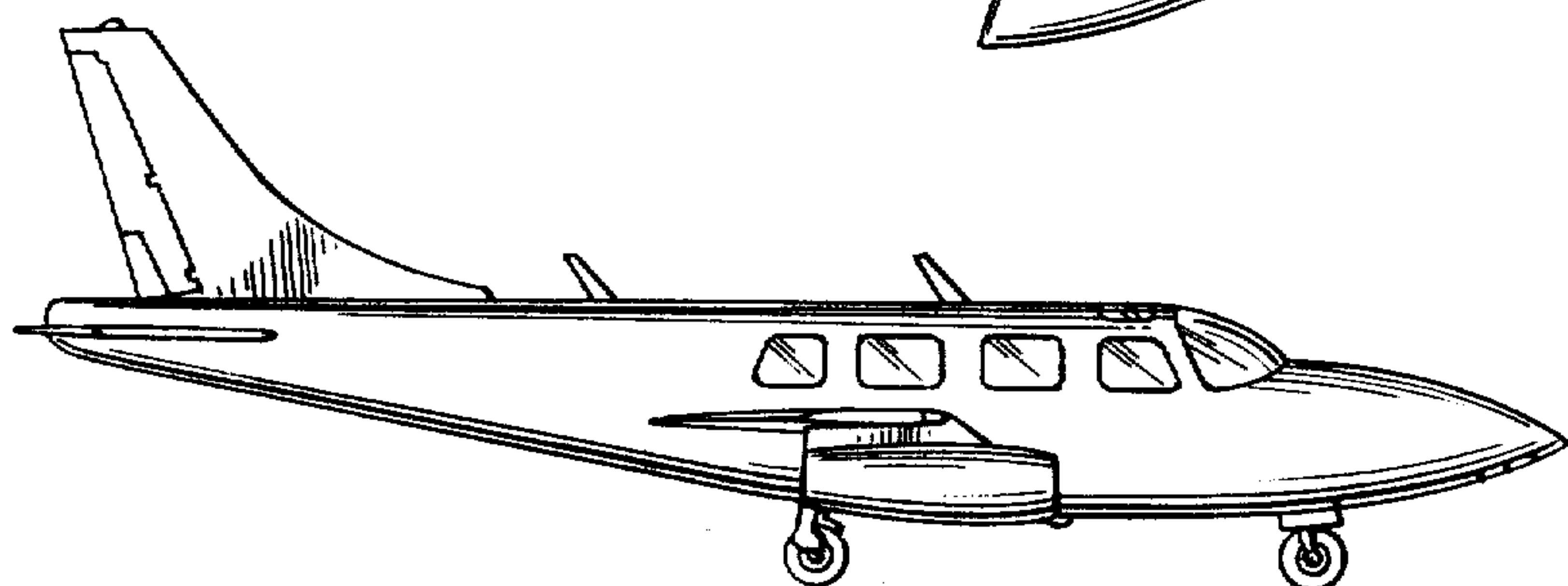


Fig. 7

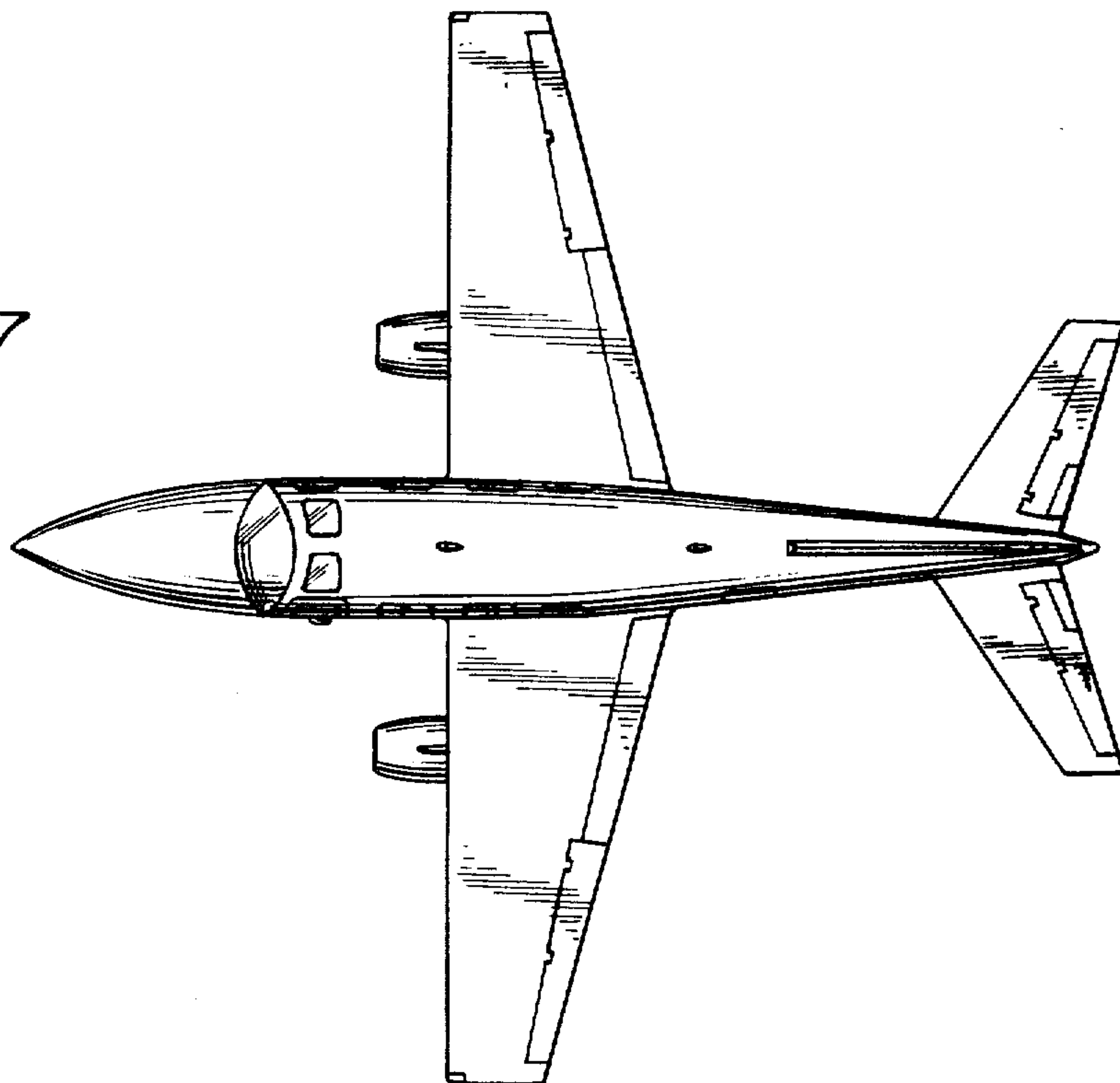


Fig. 8

