

[54] TEMPORARY COLD CONTROL DEVICE

[76] Inventors: Eugene T. McKinnon, 16536 Chattanooga Pl., Pacific Palisades, Calif. 90272; Alvin S. Drutz, 11613 Clover Ave., Los Angeles, Calif. 90066

[**] Term: 14 Years

[21] Appl. No.: 51,799

[22] Filed: Jun. 25, 1979

[51] Int. Cl. D10-04

[52] U.S. Cl. D10/50

[58] Field of Search D10/49, 50, 51, 52, D10/53, 60; 236/68 B, 91 R, DIG. 19; 337/51, 300, 327, 377, 380

[56] References Cited

U.S. PATENT DOCUMENTS

- D. 159,016 6/1950 Strand D10/50
- D. 202,897 11/1965 Huffman D10/50
- D. 220,042 3/1971 Rinaldi D10/50

- D. 225,453 12/1972 Hill D10/50
- D. 238,583 1/1976 Russell D10/50
- D. 248,017 5/1978 Boldt D10/50
- D. 253,044 10/1979 Hewson D10/50

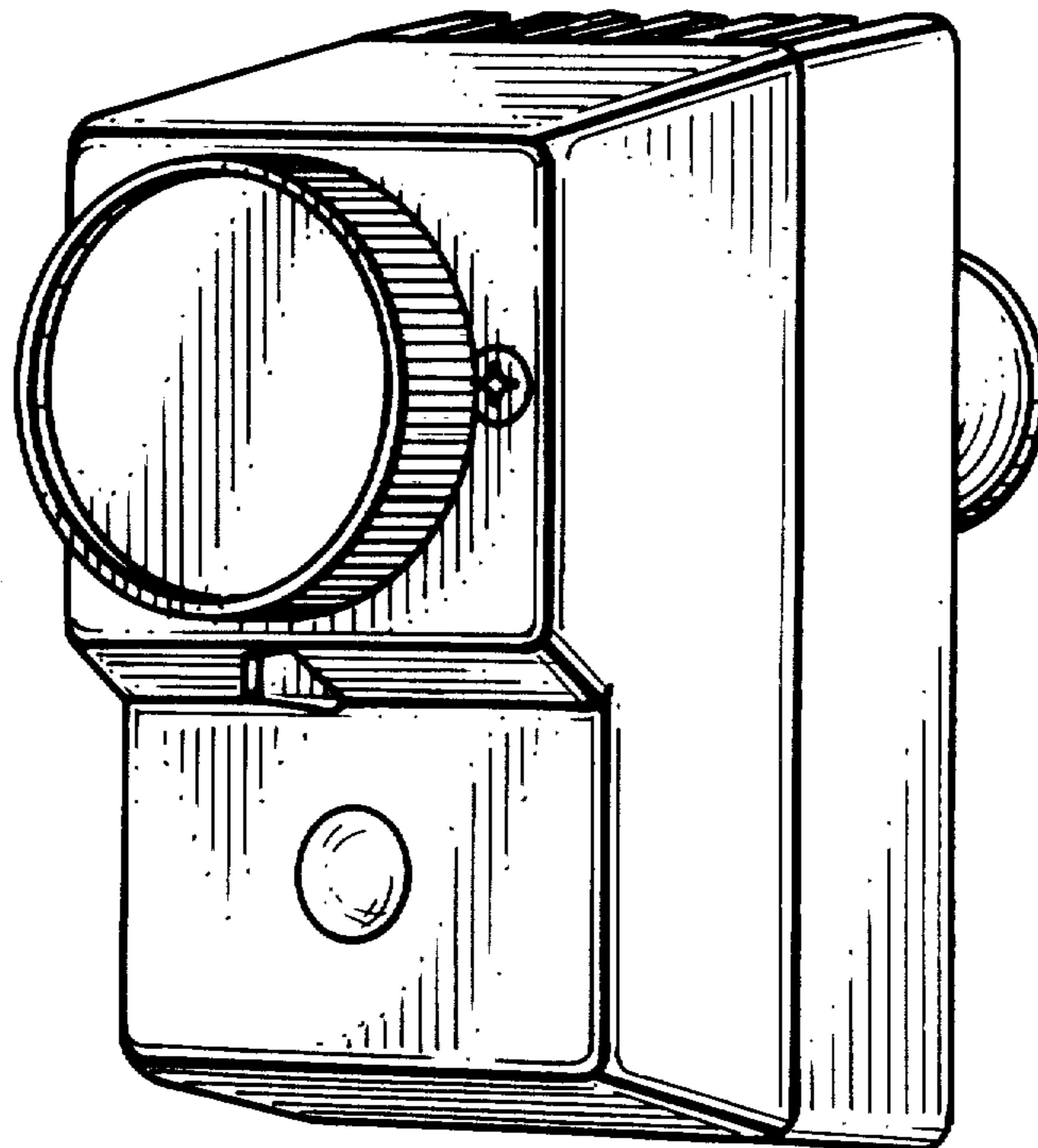
Primary Examiner—Nelson C. Holtje
Attorney, Agent, or Firm—Donald M. Cislo

[57] CLAIM

The ornamental design for a temporary cold control device, as shown and described.

DESCRIPTION

FIG. 1 is a right front perspective view of a temporary cold control device showing our new design; FIG. 2 is a front elevational view thereof; FIG. 3 is a right side elevational view thereof; FIG. 4 is a top plan view thereof; FIG. 5 is a bottom plan view thereof; FIG. 6 is a rear elevational view thereof; FIG. 7 is another embodiment of my new design of FIGS. 1-6 wherein the suction cups have been omitted and a clamping device substituted therefor, all other views being substantially like those of FIGS. 1-6.



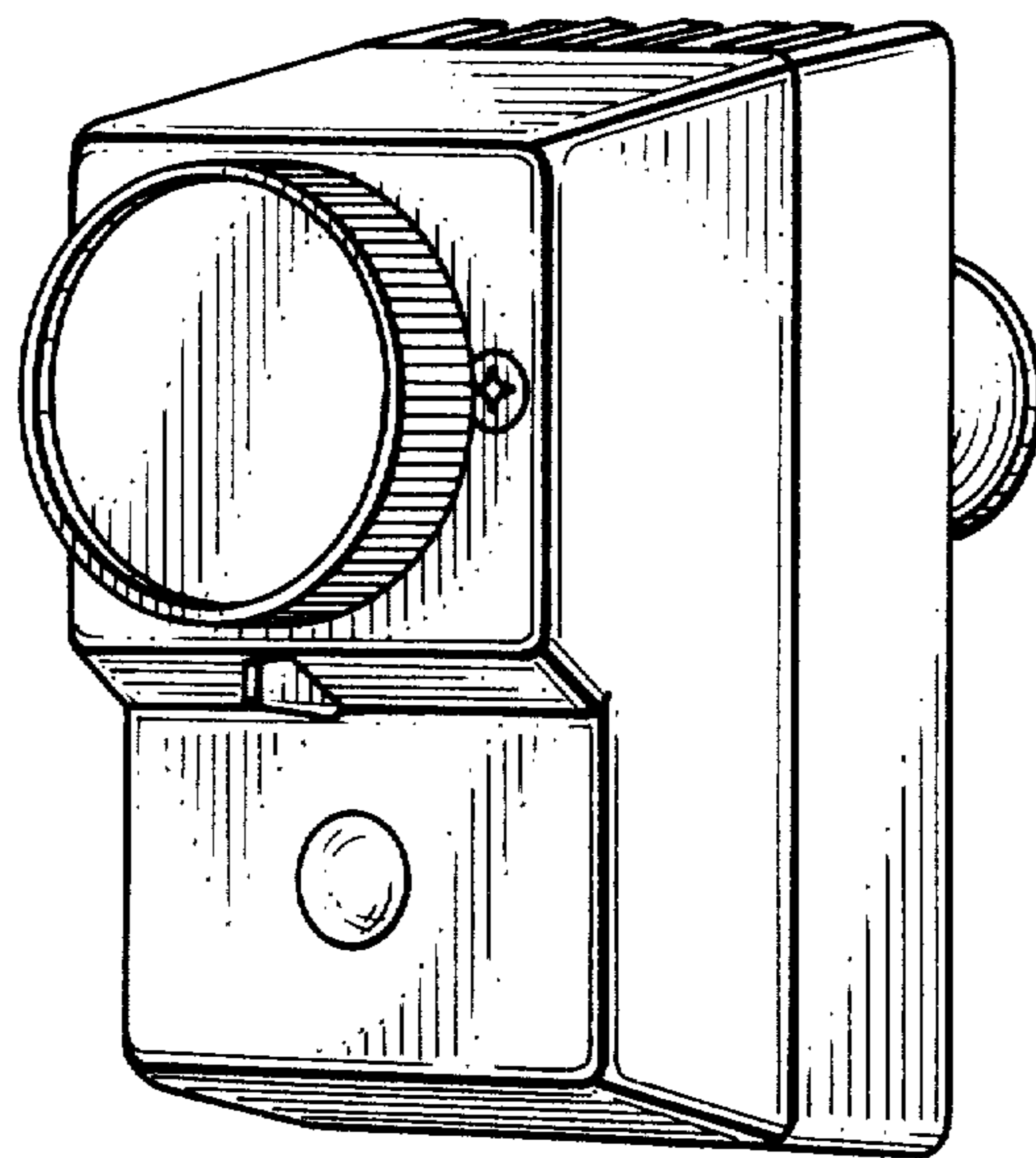


Fig. 1.

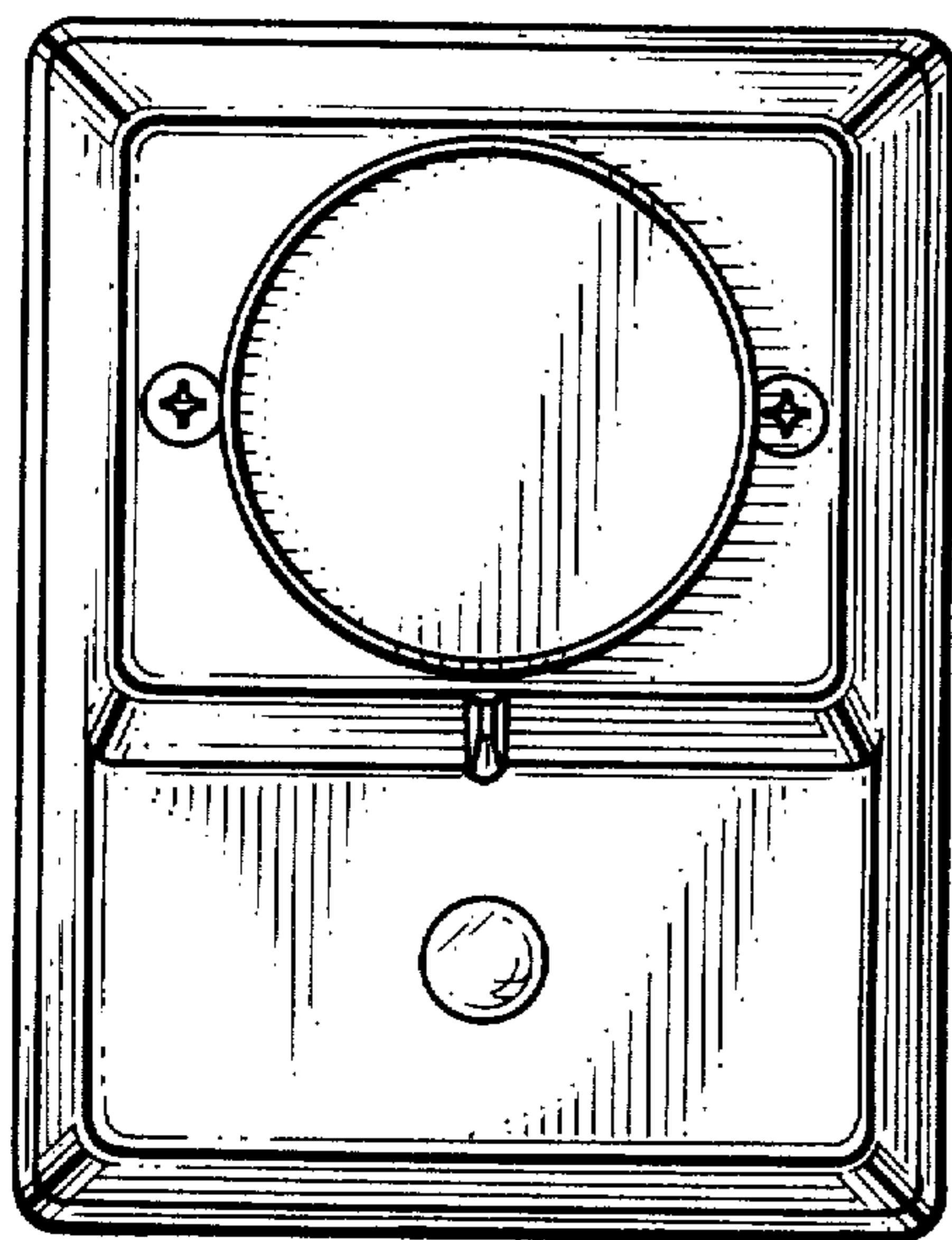


Fig. 2.

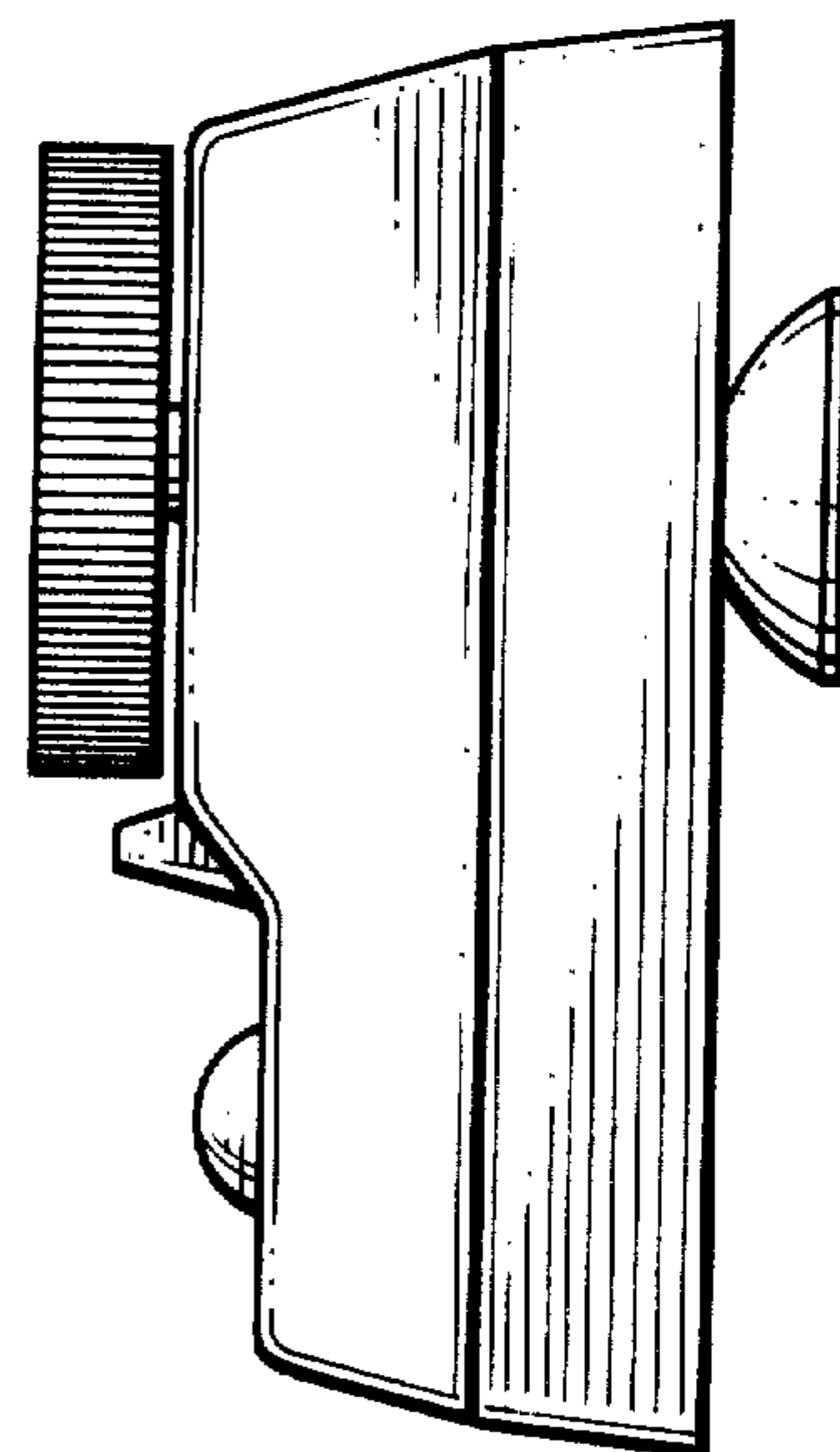


Fig. 3.

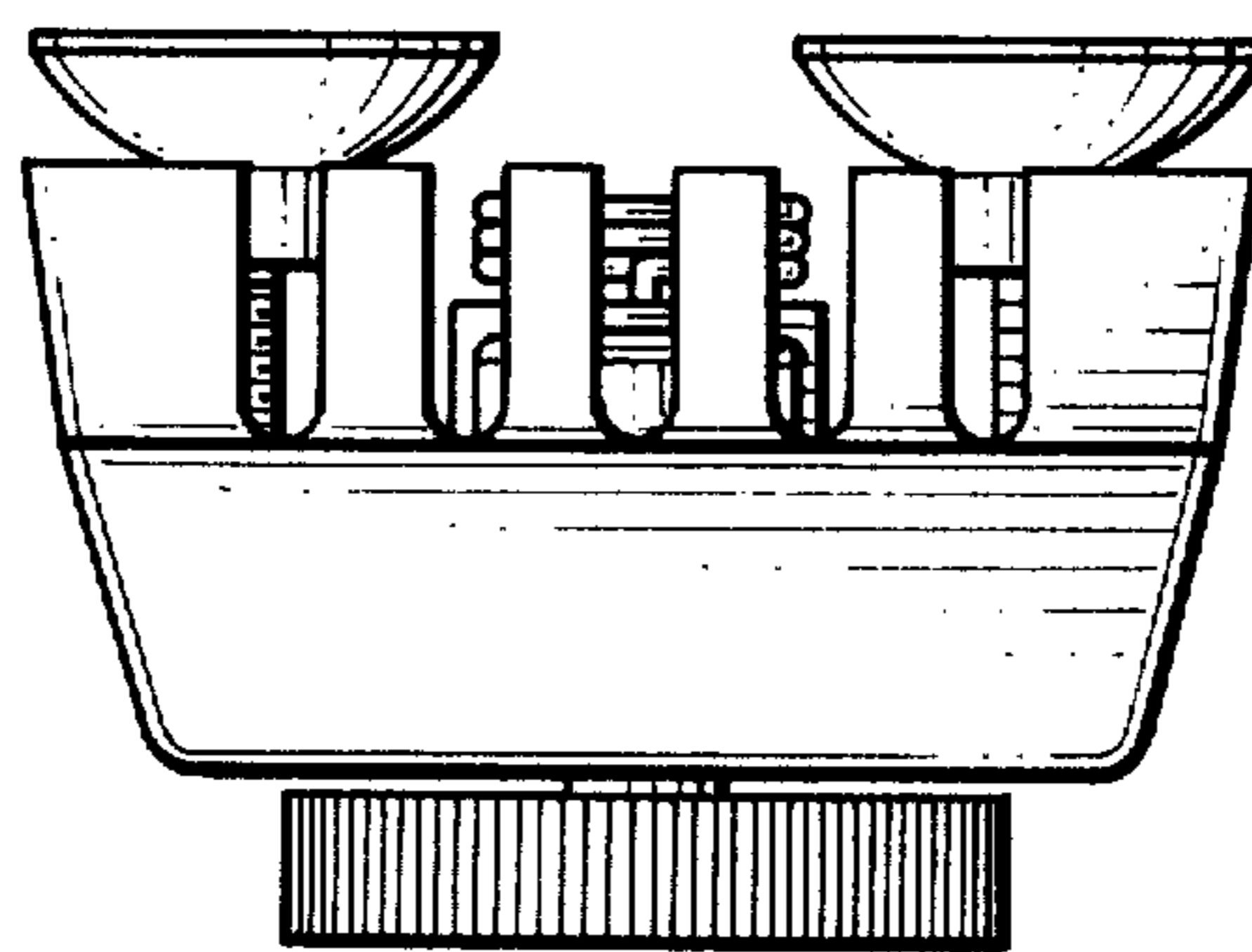


Fig. 4.

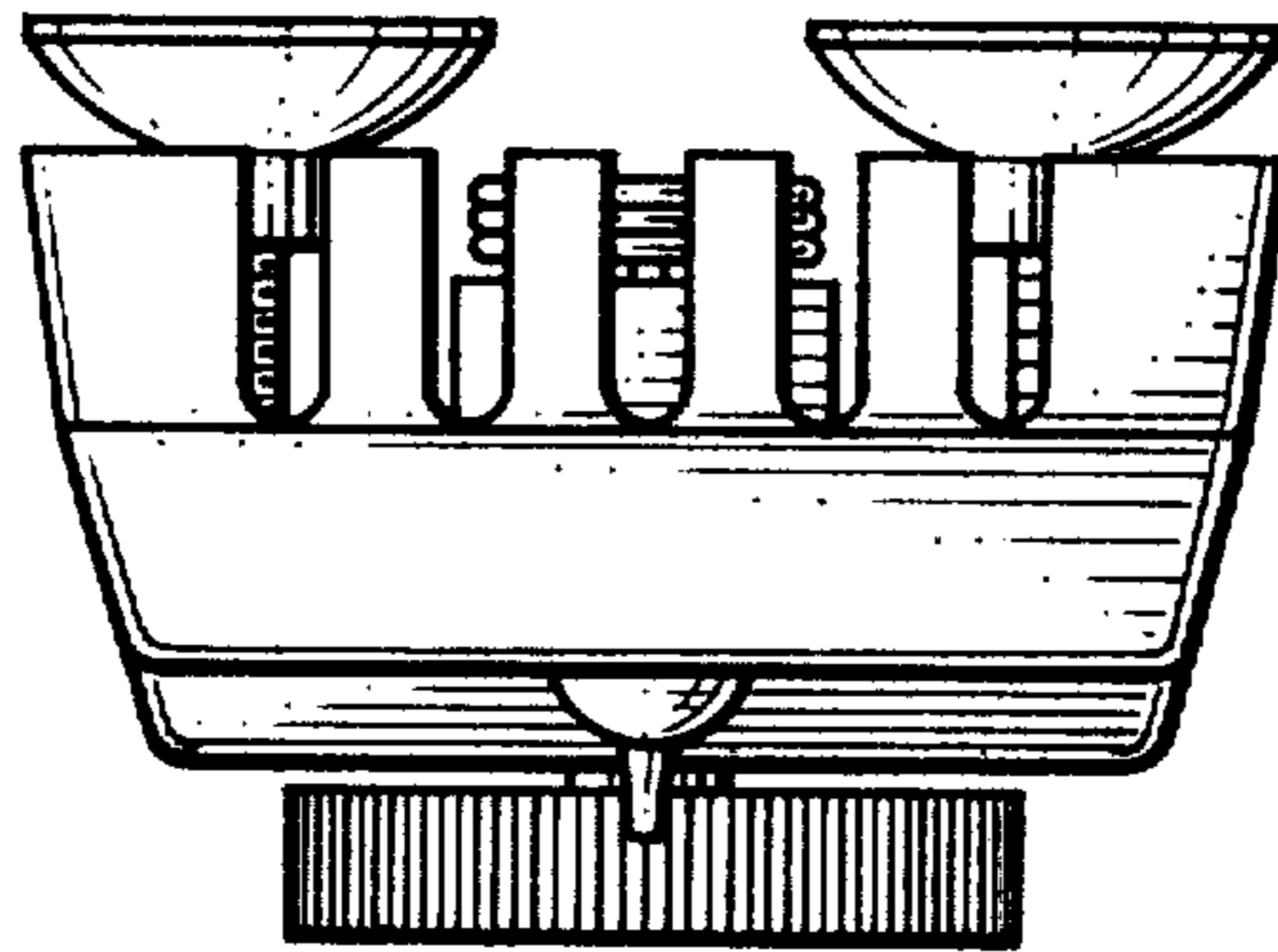


Fig. 5.

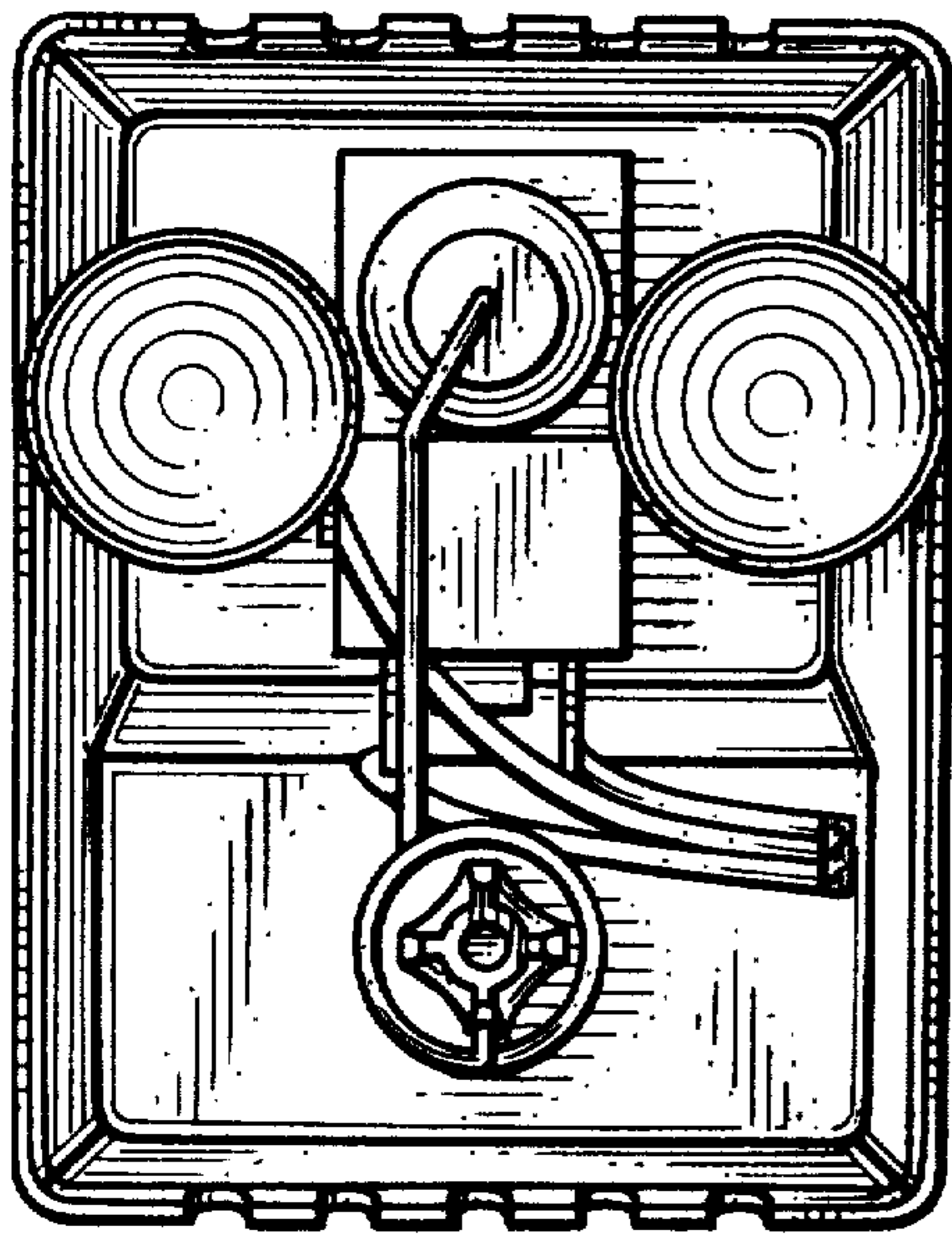


Fig. 6.

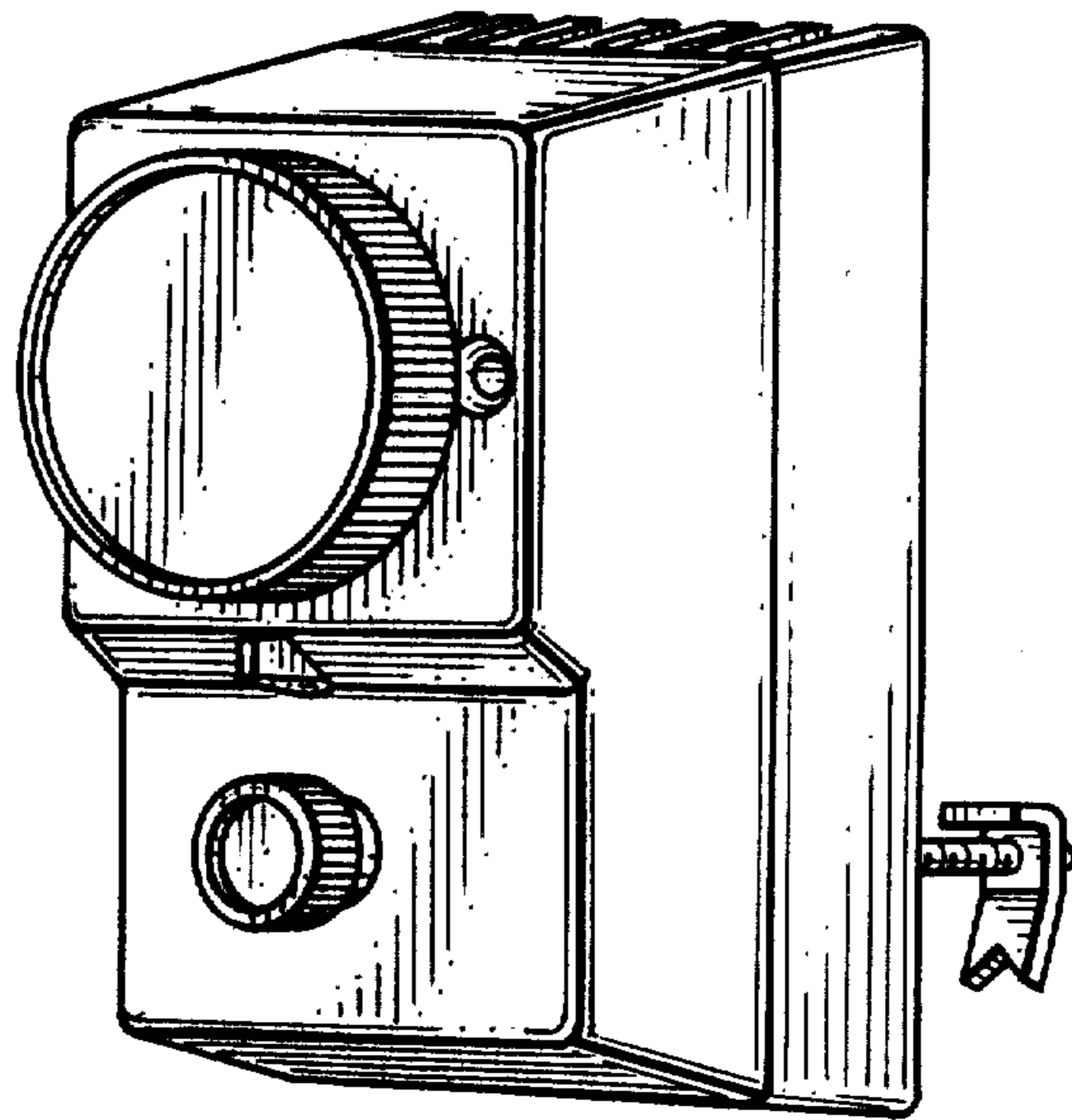


Fig. 7.