

[54] **DENSITYMETER**

[75] Inventors: **Ernest Muchenberger; Walter Eichenberger**, both of Zug, Switzerland

[73] Assignee: **GRETAG Aktiengesellschaft**, Regensdorf, Switzerland

[\*\*] Term: **14 Years**

[21] Appl. No.: **125,751**

[22] Filed: **Feb. 28, 1980**

[30] **Foreign Application Priority Data**

Sep. 28, 1979 [CH] Switzerland ..... 110793

[51] Int. Cl. .... **D10-04**

[52] U.S. Cl. .... **D10/46; D10/83**

[58] Field of Search ..... **D10/46, 75, 78, 80, D10/81, 83 R; 356/202, 203, 443, 444; 73/32, 433**

[56]

**References Cited**

**U.S. PATENT DOCUMENTS**

D. 196,075	8/1963	Italiano .....	D10/83
D. 203,623	2/1966	Milani .....	D10/83
D. 231,389	4/1974	Milani .....	D10/83
D. 232,746	9/1974	Hampton .....	D10/46
D. 235,786	7/1975	Zaccai .....	D10/83 X
D. 256,099	7/1980	Schmidt .....	D10/46

*Primary Examiner*—Nelson C. Holtje  
*Attorney, Agent, or Firm*—Burns, Doane, Swecker & Mathis

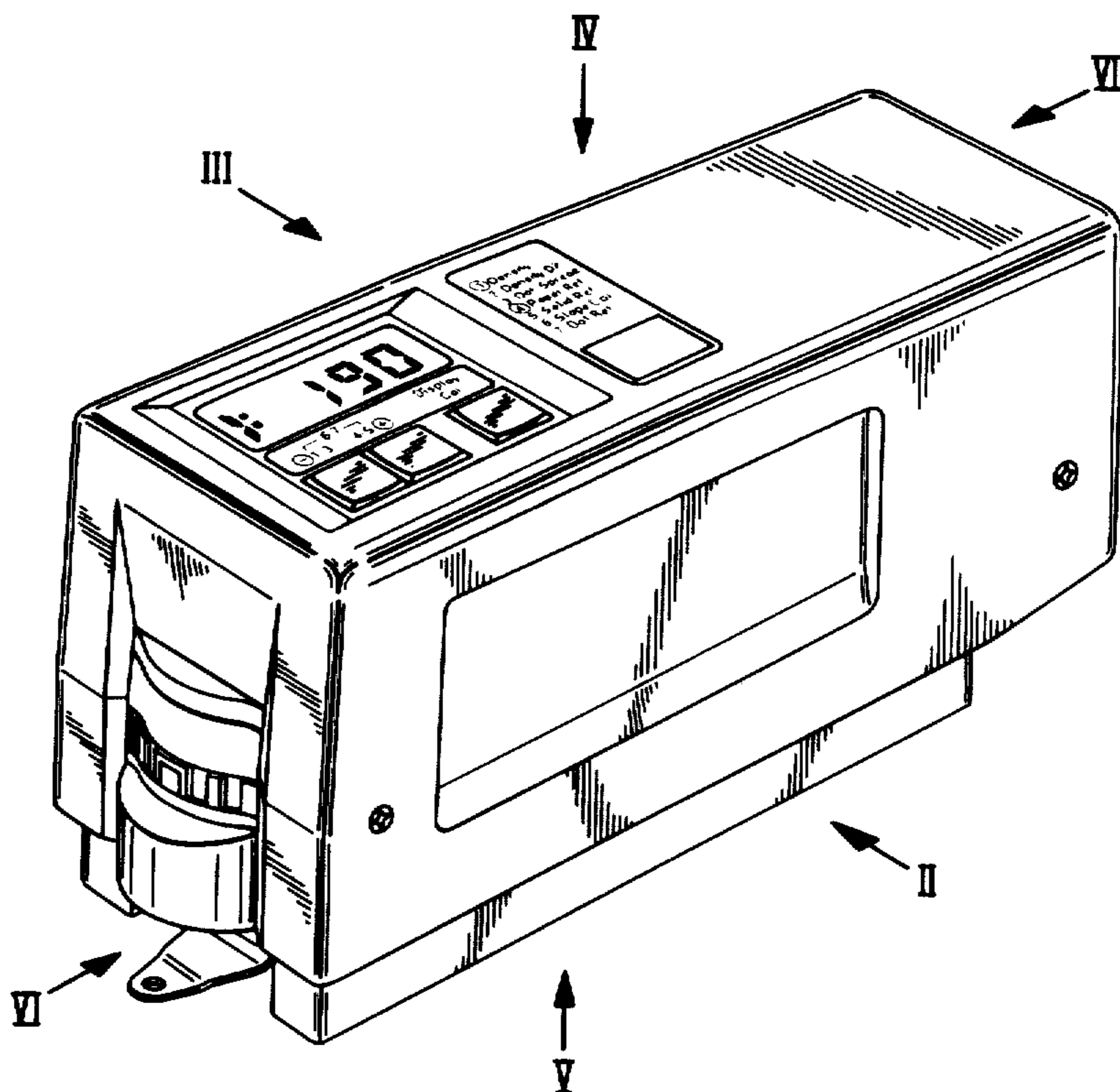
[57]

**CLAIM**

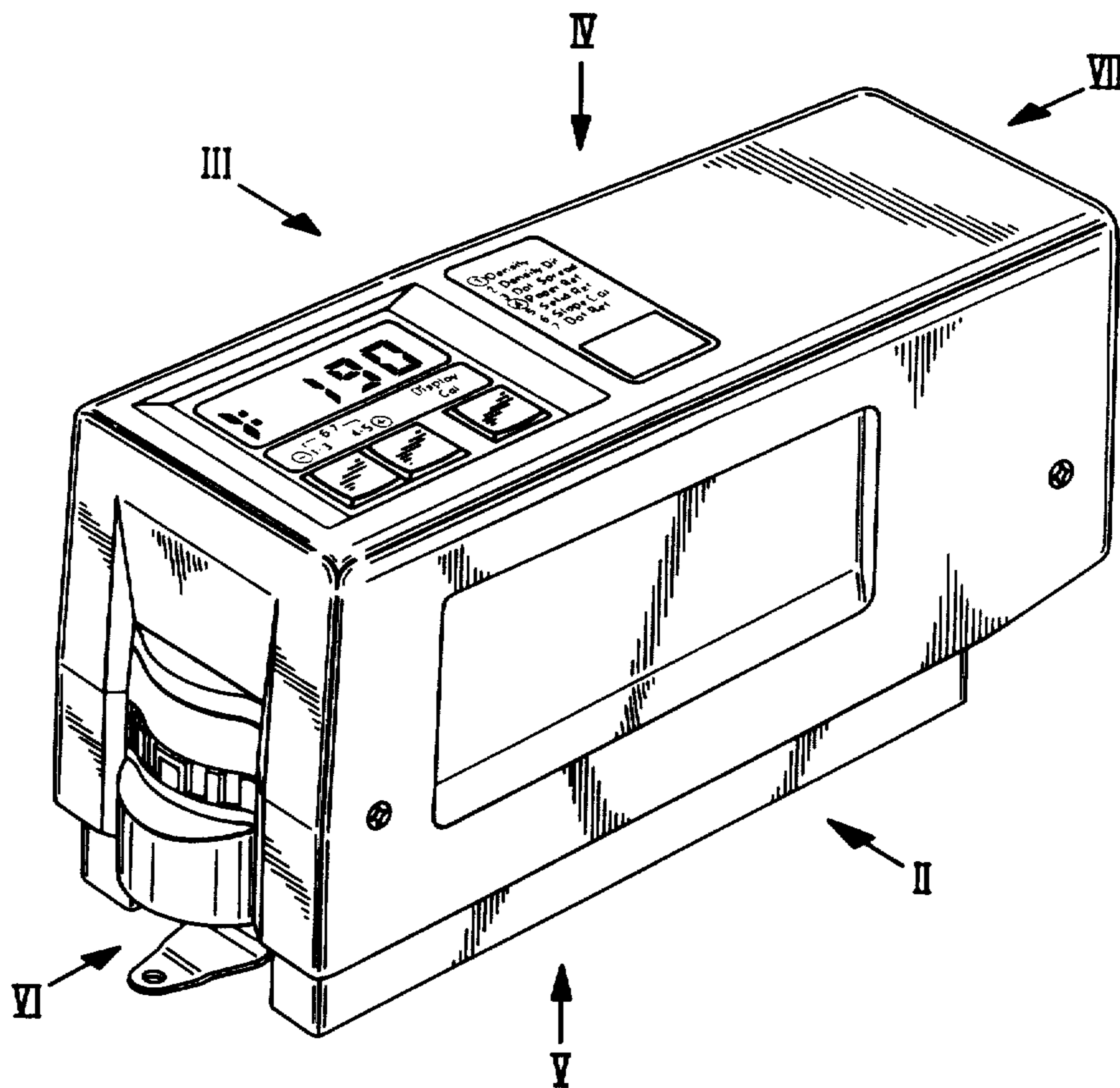
The ornamental design for a densitymeter, as shown.

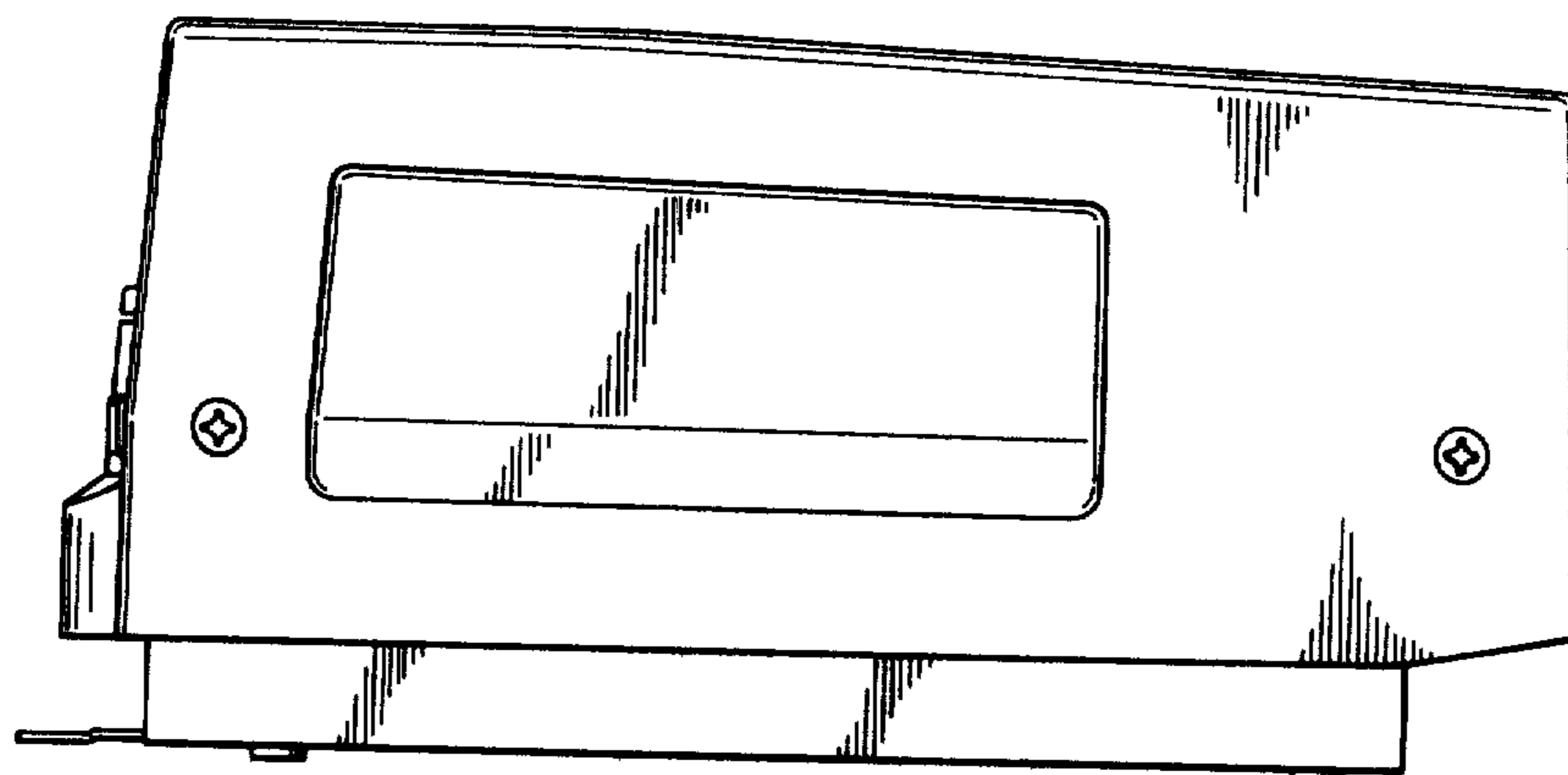
**DESCRIPTION**

FIG. 1 is a top and right front perspective view of a density meter showing our new design;  
 FIG. 2 is a right side elevational view thereof;  
 FIG. 3 is a left side elevational view thereof;  
 FIG. 4 is a top plan view thereof;  
 FIG. 5 is a bottom plan view thereof;  
 FIG. 6 is a front elevational view thereof;  
 FIG. 7 is a rear elevational view thereof.

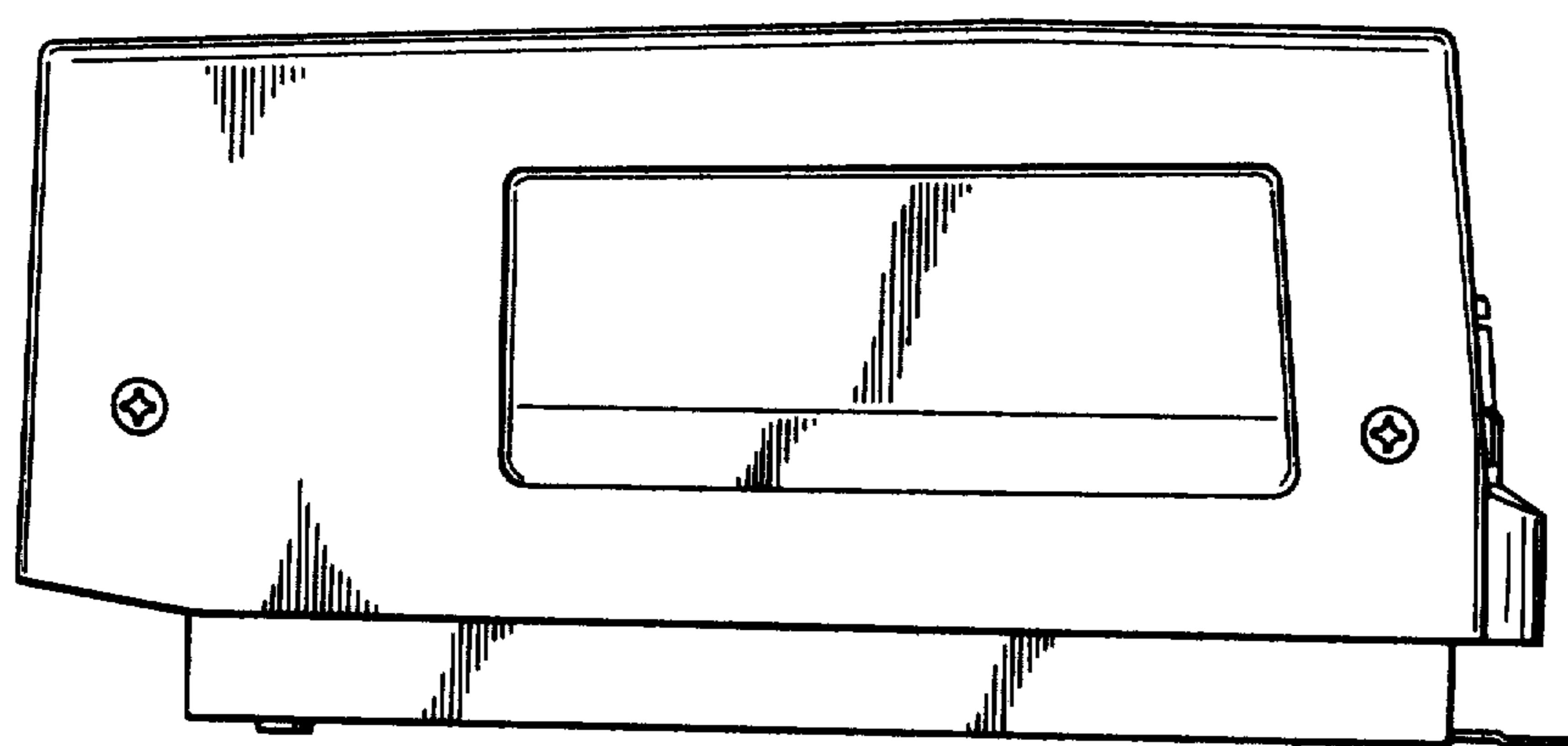


**Fig. 1**

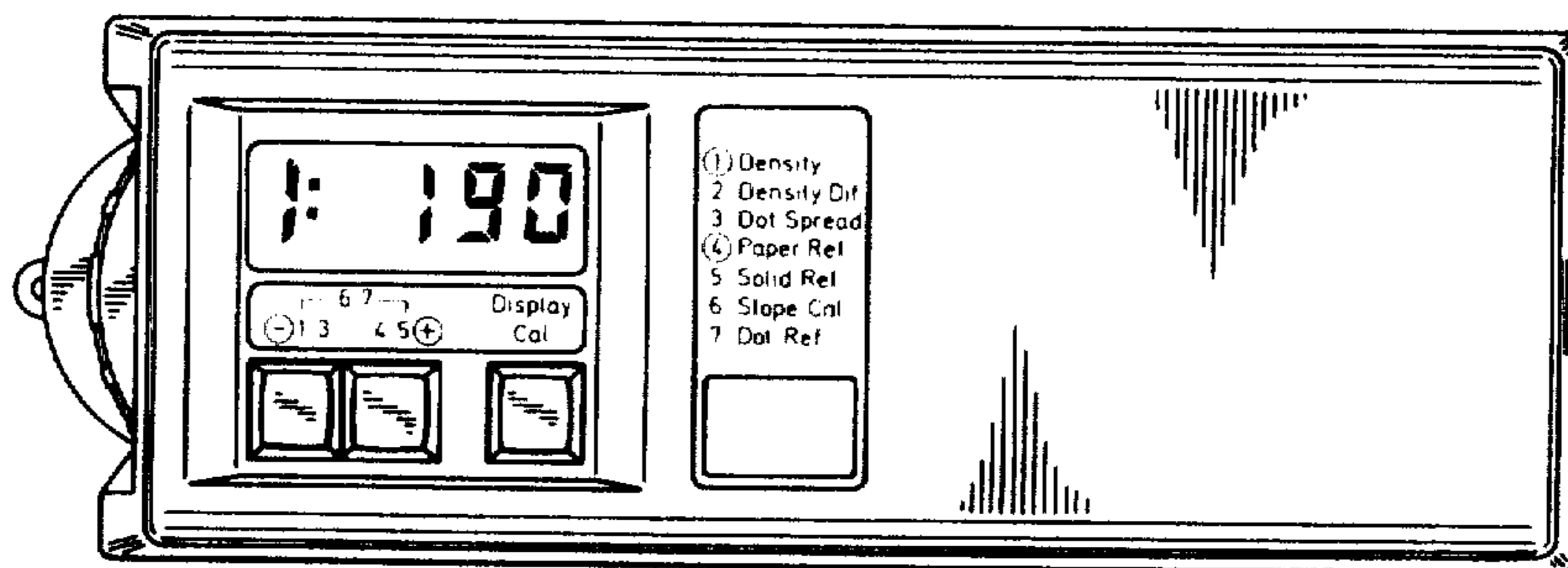




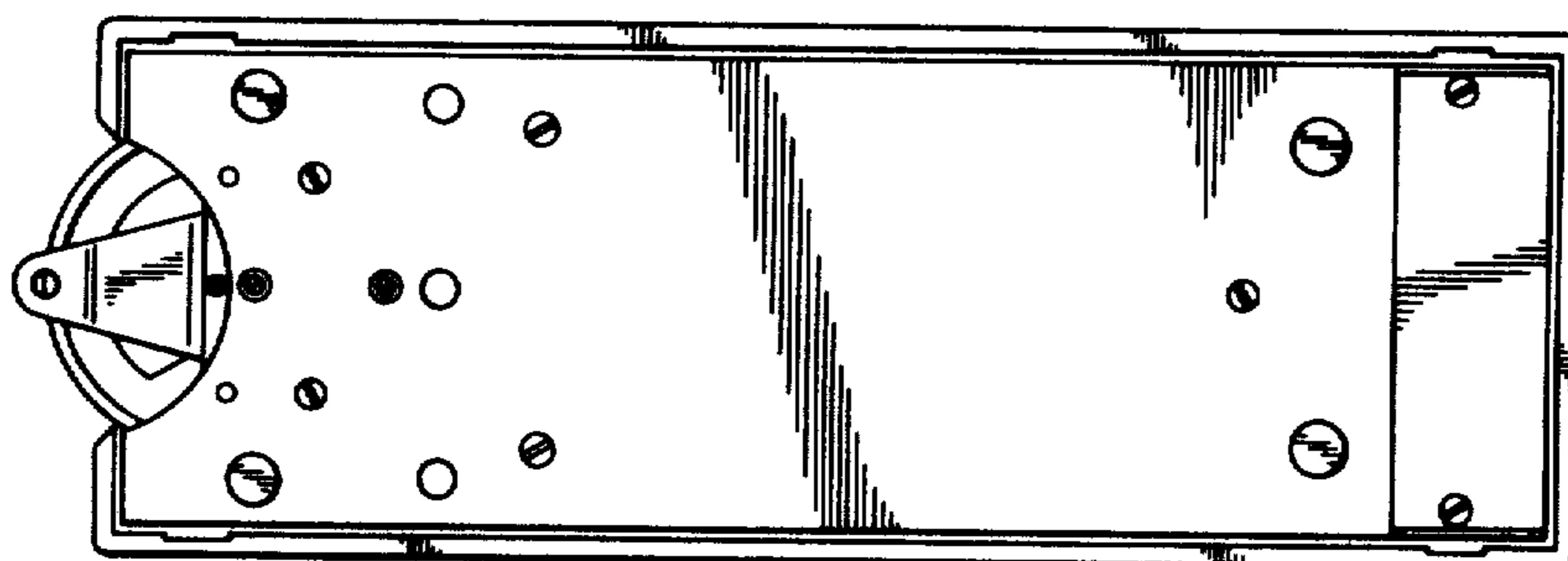
**Fig. 2**



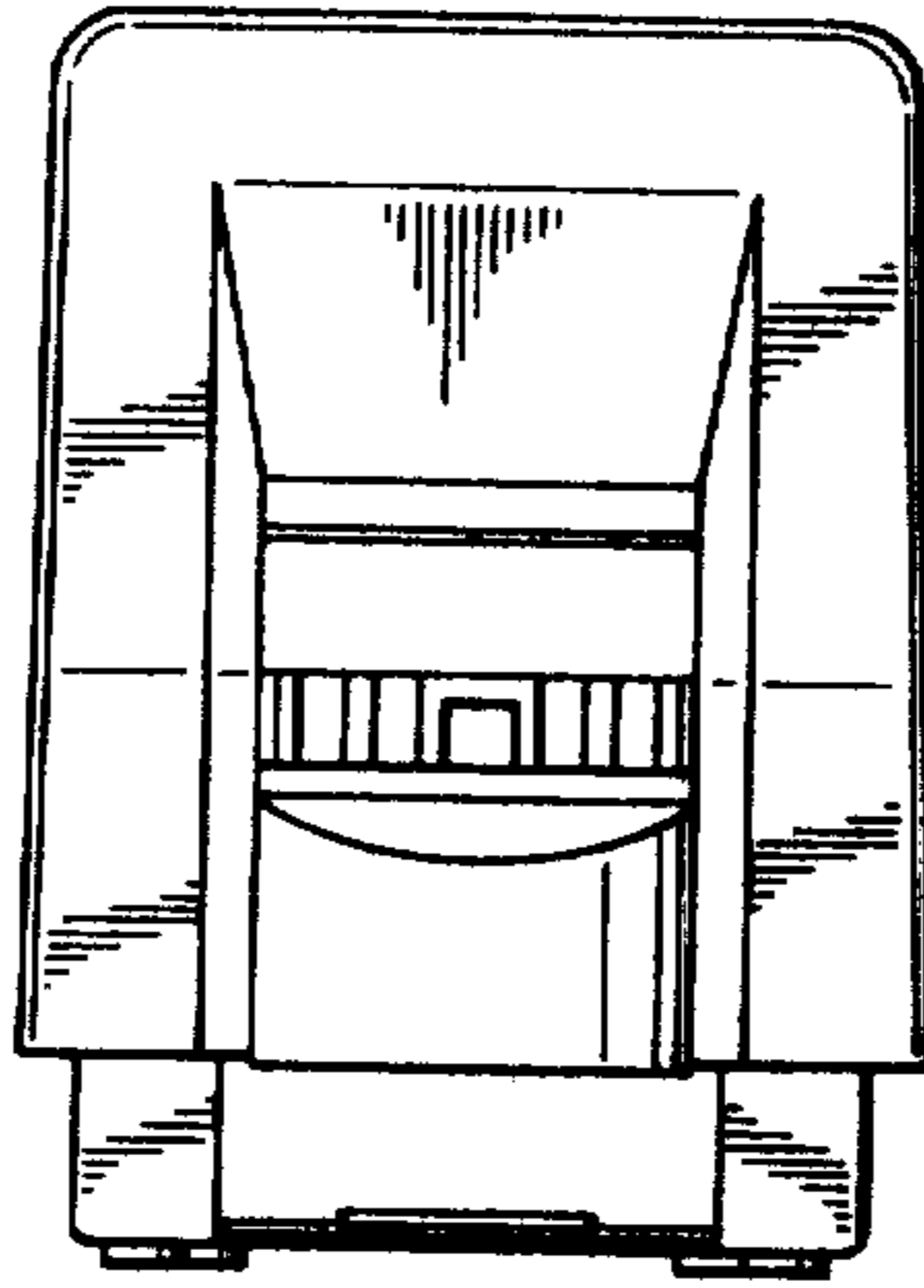
**Fig. 3**



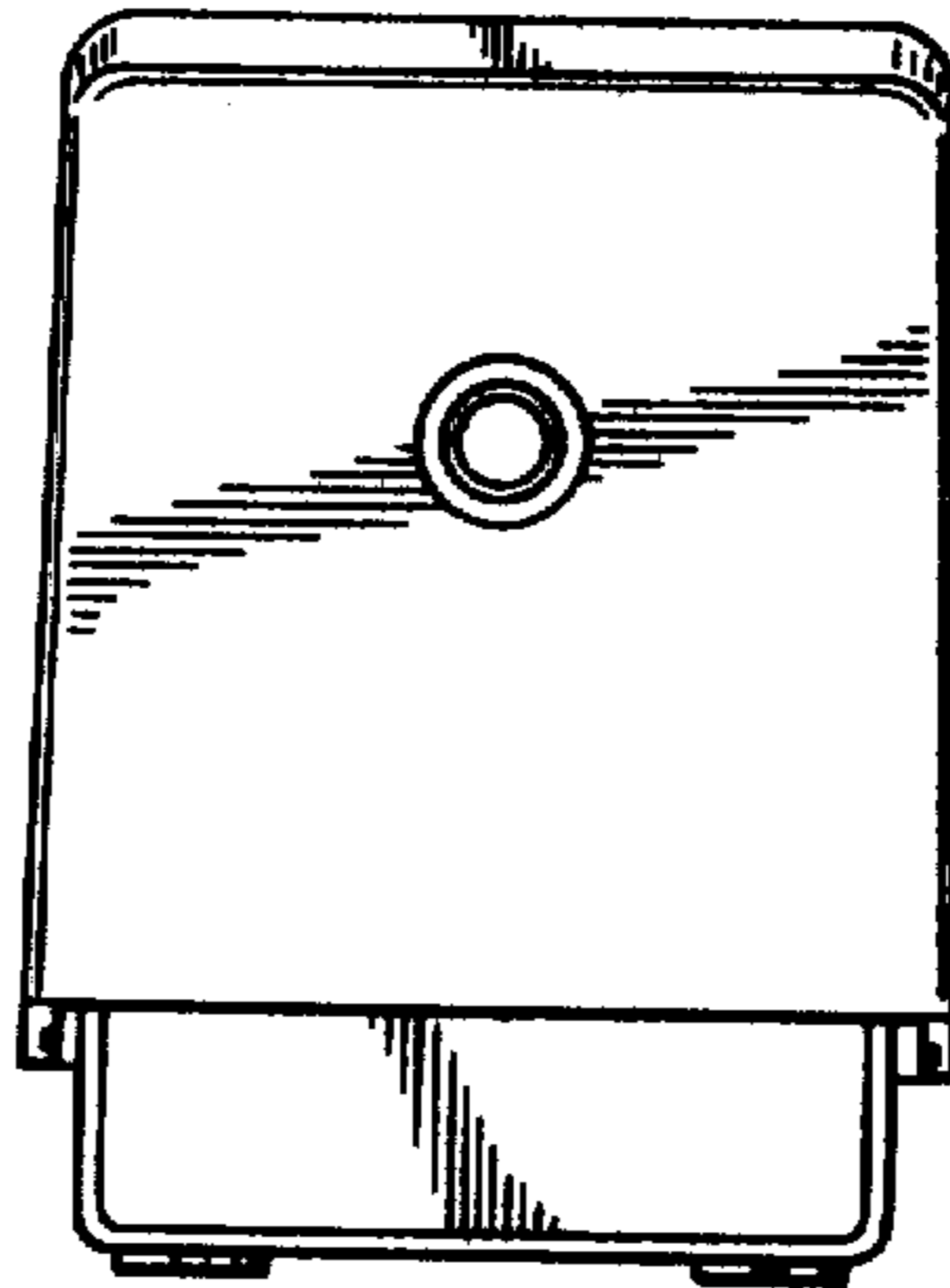
**Fig. 4**



**Fig. 5**



***Fig. 6***



***Fig. 7***