

[54] CLOCK

[76] Inventor: Stephen P. Diskin, 615 S. Ridgeley Dr., Los Angeles, Calif. 90036

[\*\*] Term: 14 Years

[21] Appl. No.: 168,394

[22] Filed: Jul. 10, 1980

[51] Int. Cl. .... D10-01

[52] U.S. Cl. .... D10/22

[58] Field of Search ..... D10/1, 2, 6, 21, 22, D10/23, 24-28; D23/43, 40, 44-45; 285/179, 237, 423; 368/276-277, 280, 285

[56] References Cited

U.S. PATENT DOCUMENTS

D. 38,377	12/1906	Newman	.....	D10/22
D. 161,957	2/1951	Newman	.....	D10/22
D. 180,960	9/1957	Schaus	.....	D10/124
D. 181,620	12/1957	Bloch	.....	D10/124
D. 208,998	10/1967	Jeanrenaud	.....	D10/7
D. 229,409	11/1973	Luckenbill	.....	D23/43

FOREIGN PATENT DOCUMENTS

581439 8/1959 Canada ..... 285/237

OTHER PUBLICATIONS

Lee Bros. Corp. Cat. No. 64-8/1964-p. 25-Fitting Ell #20-295 at right-center.

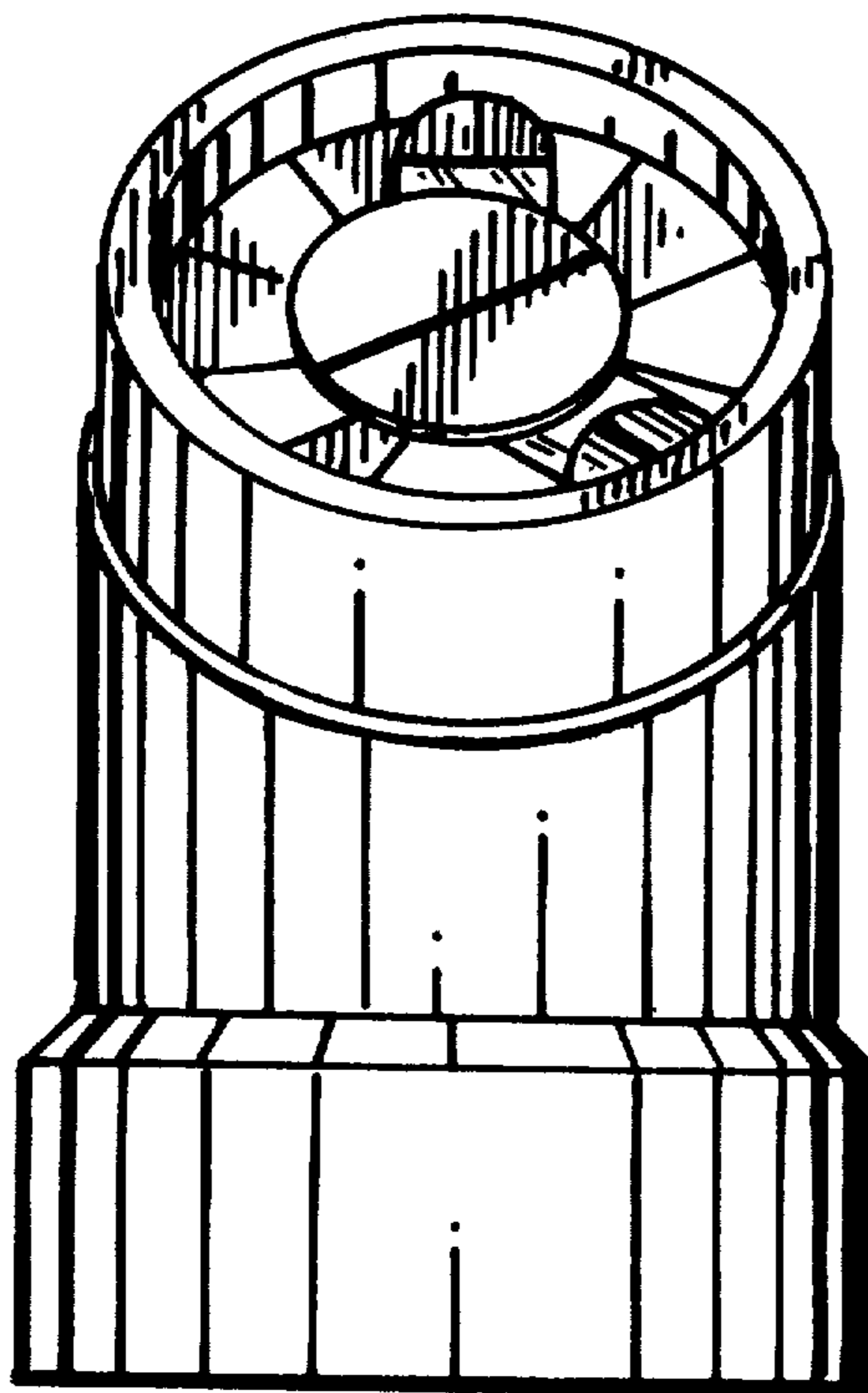
Primary Examiner—Nelson C. Holtje  
Attorney, Agent, or Firm—William Nitkin

[57] CLAIM

The ornamental design for a clock, as shown and described.

DESCRIPTION

FIG. 1 is a front elevational view of a clock showing my new design;  
 FIG. 2 is a rear elevational view thereof;  
 FIG. 3 is a bottom plan view thereof;  
 FIG. 4 is a top perspective view thereof, as taken from 4-4 of FIG. 6;  
 FIG. 5 is a top plan view thereof;  
 FIG. 6 is a right side elevational view thereof;  
 FIG. 7 is a left side elevational view thereof.



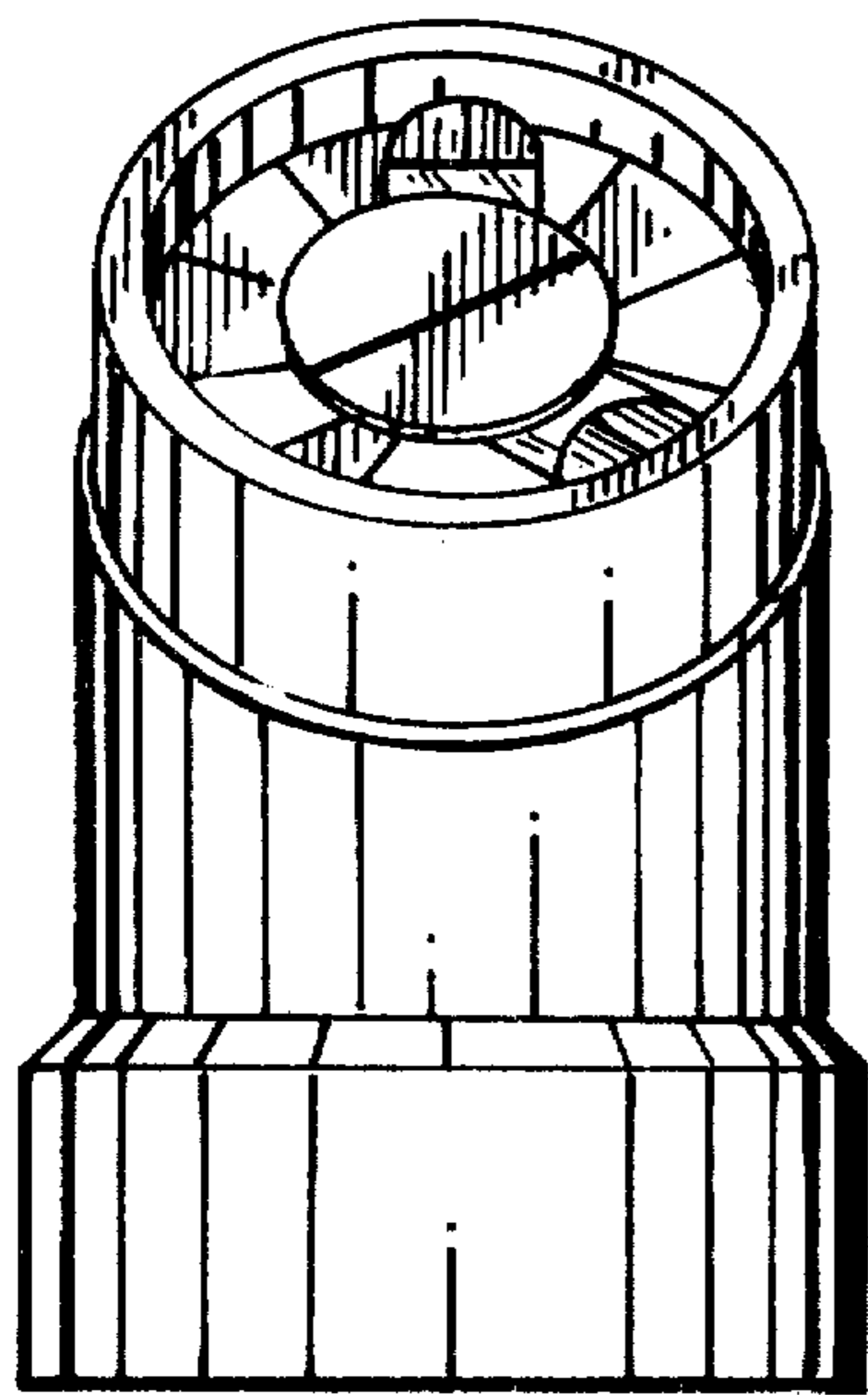


FIG. 1

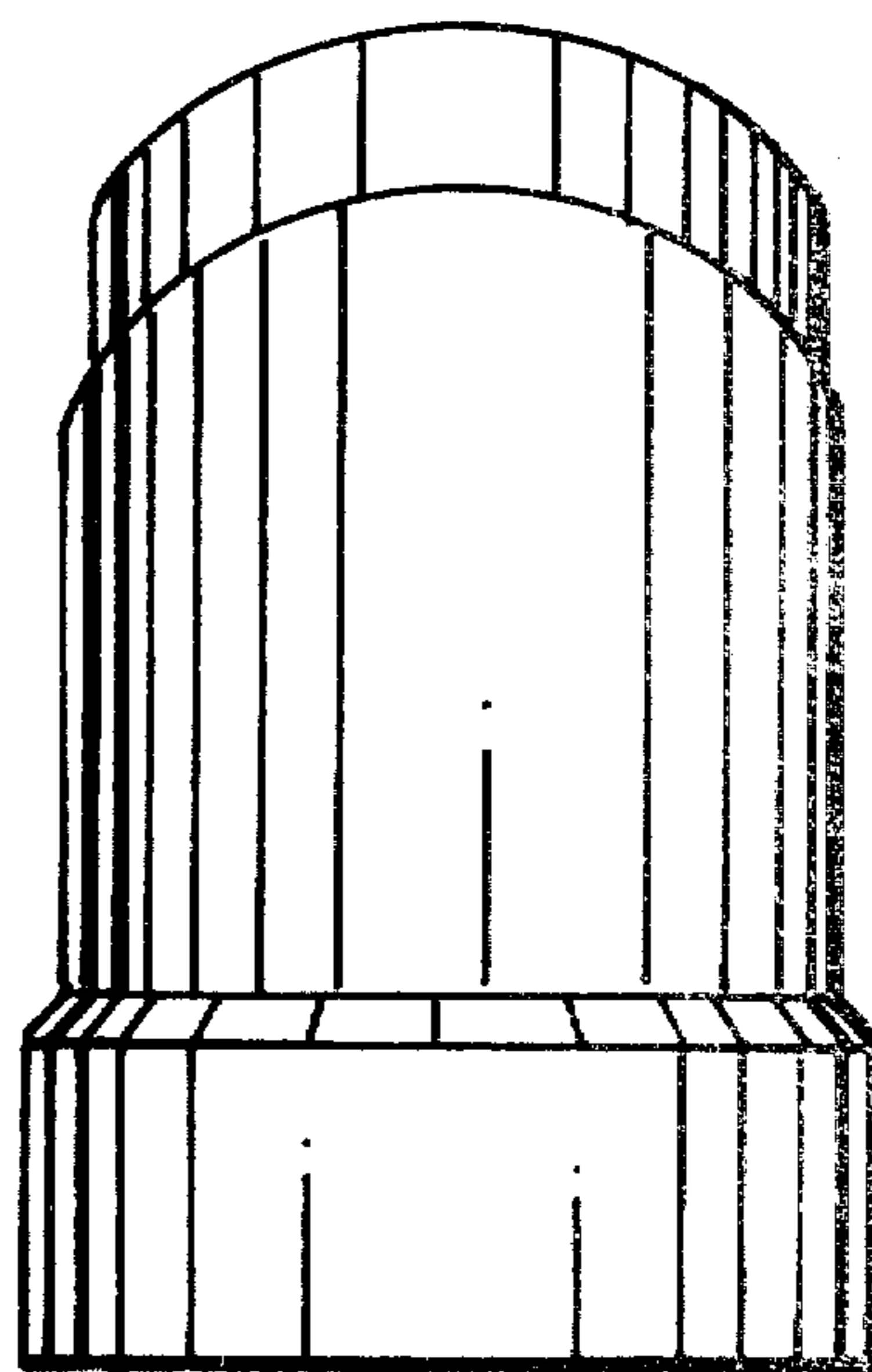


FIG. 2

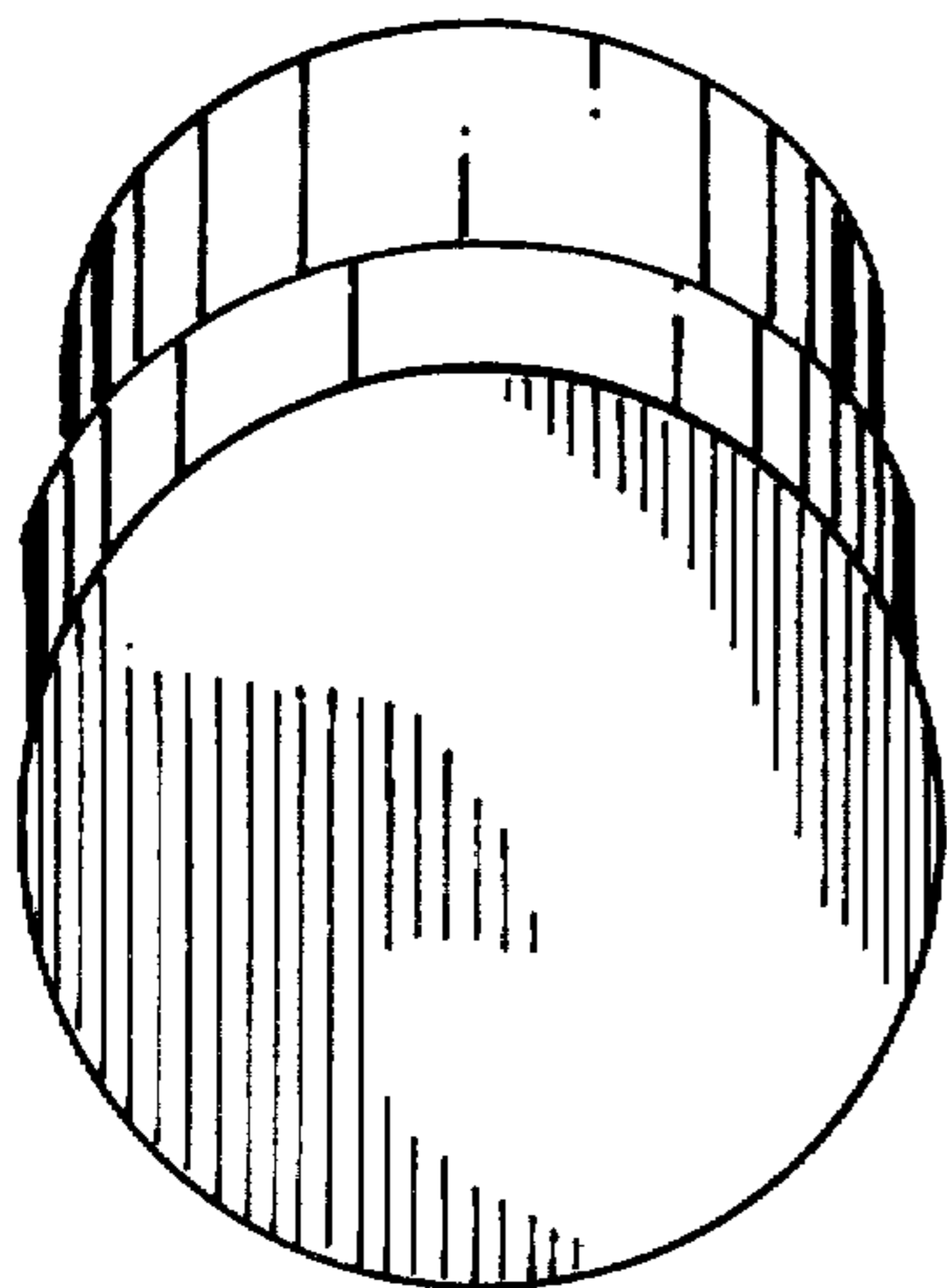


FIG. 3

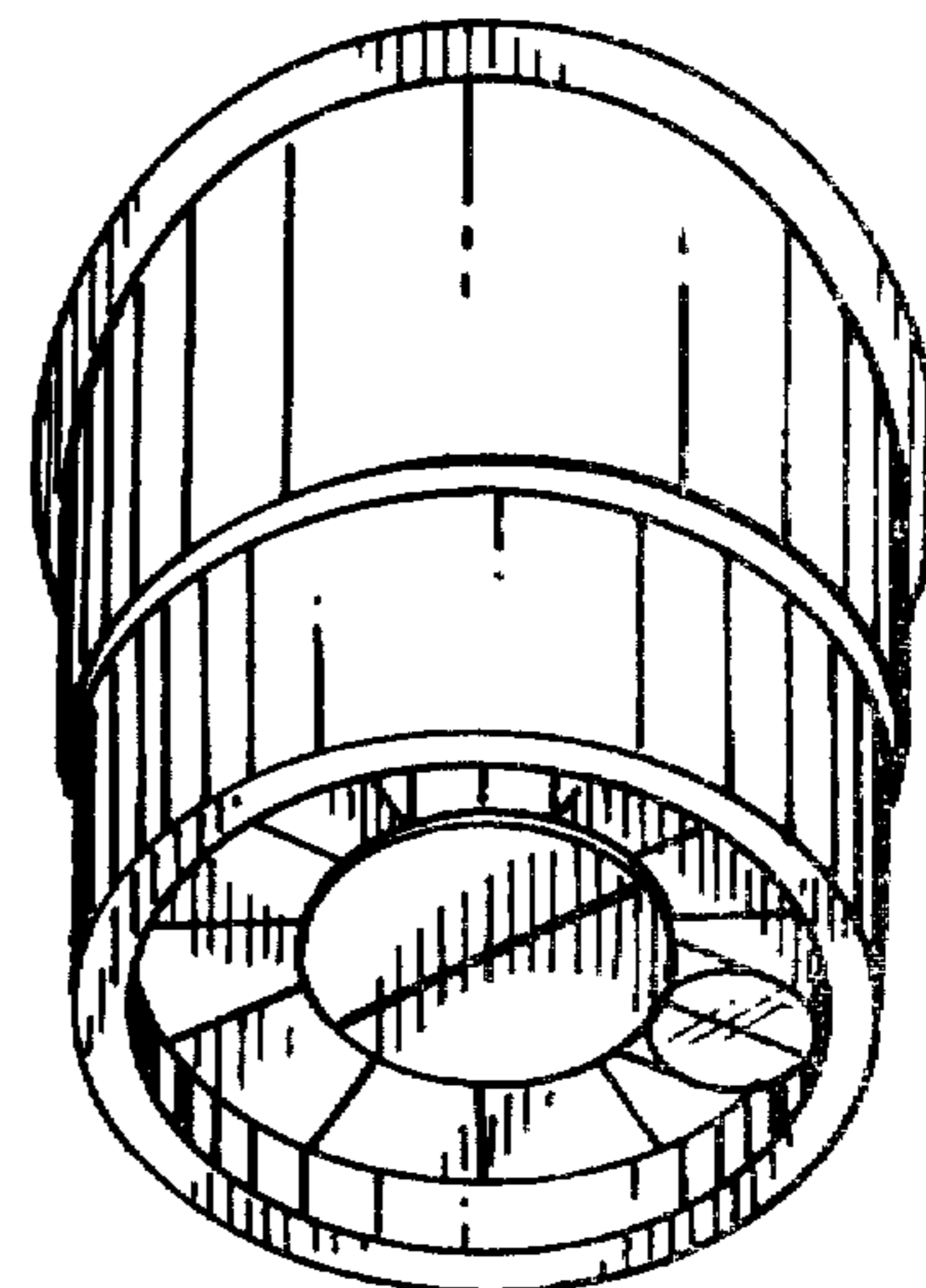


FIG. 5

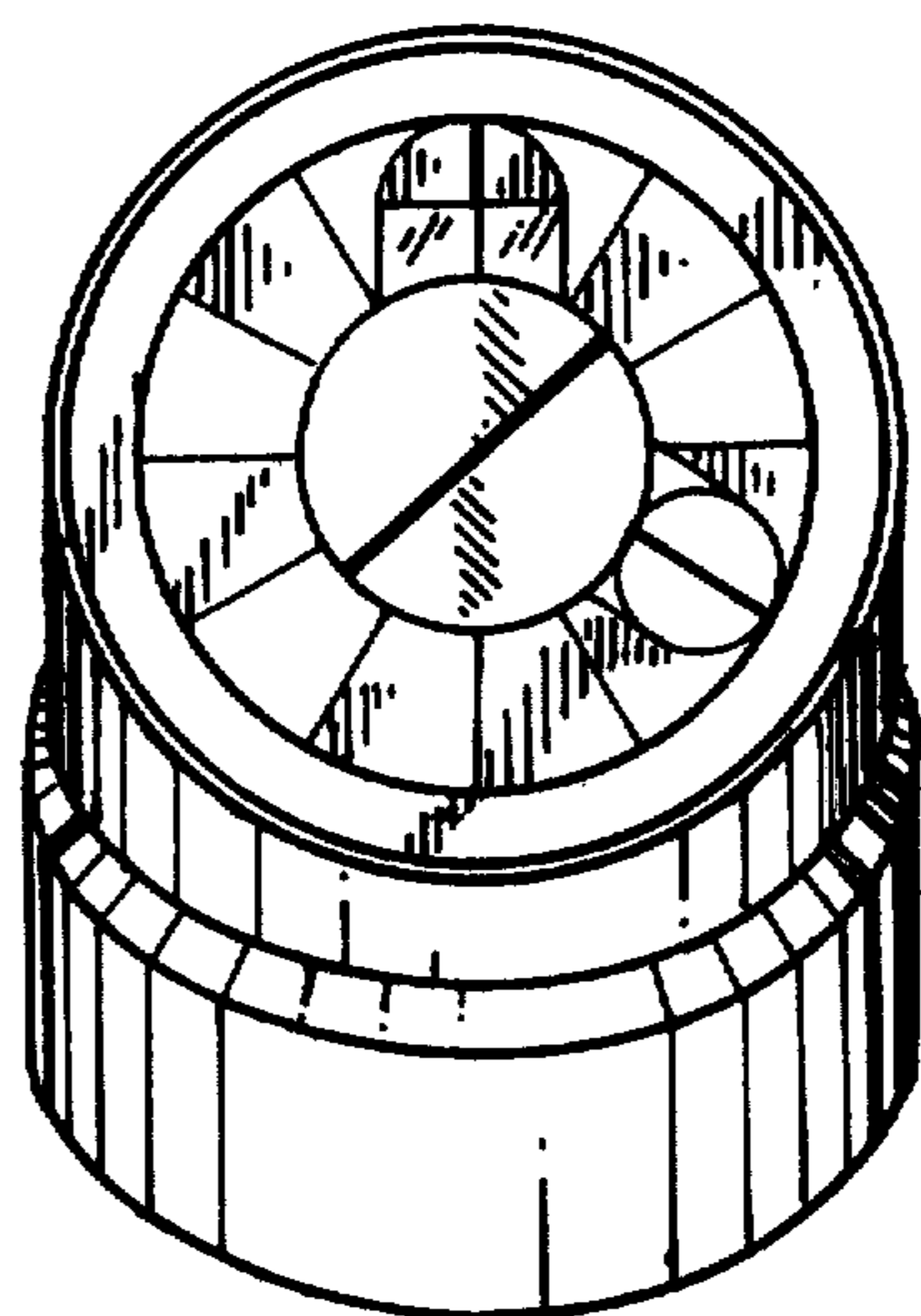


FIG. 4

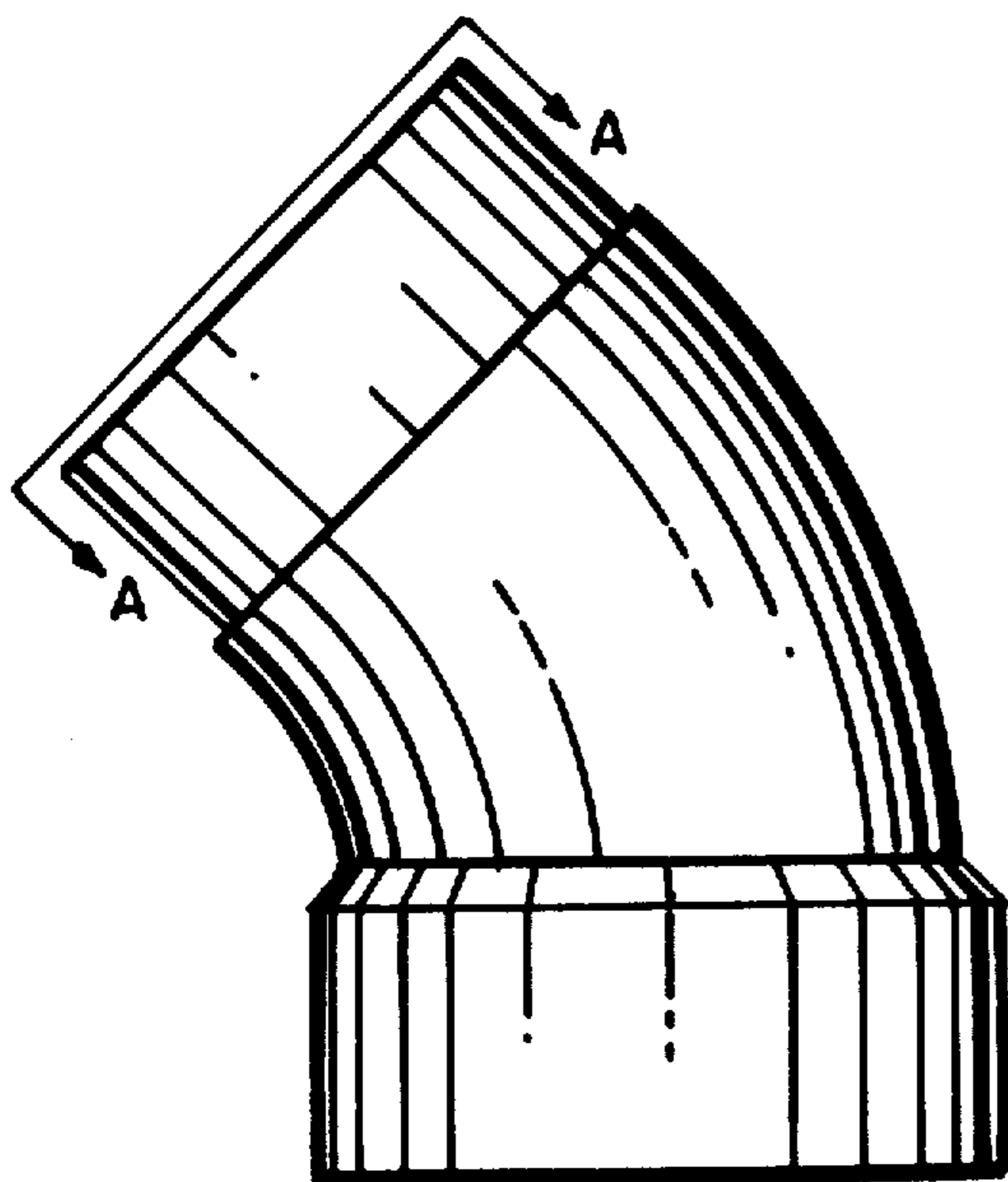


FIG 6

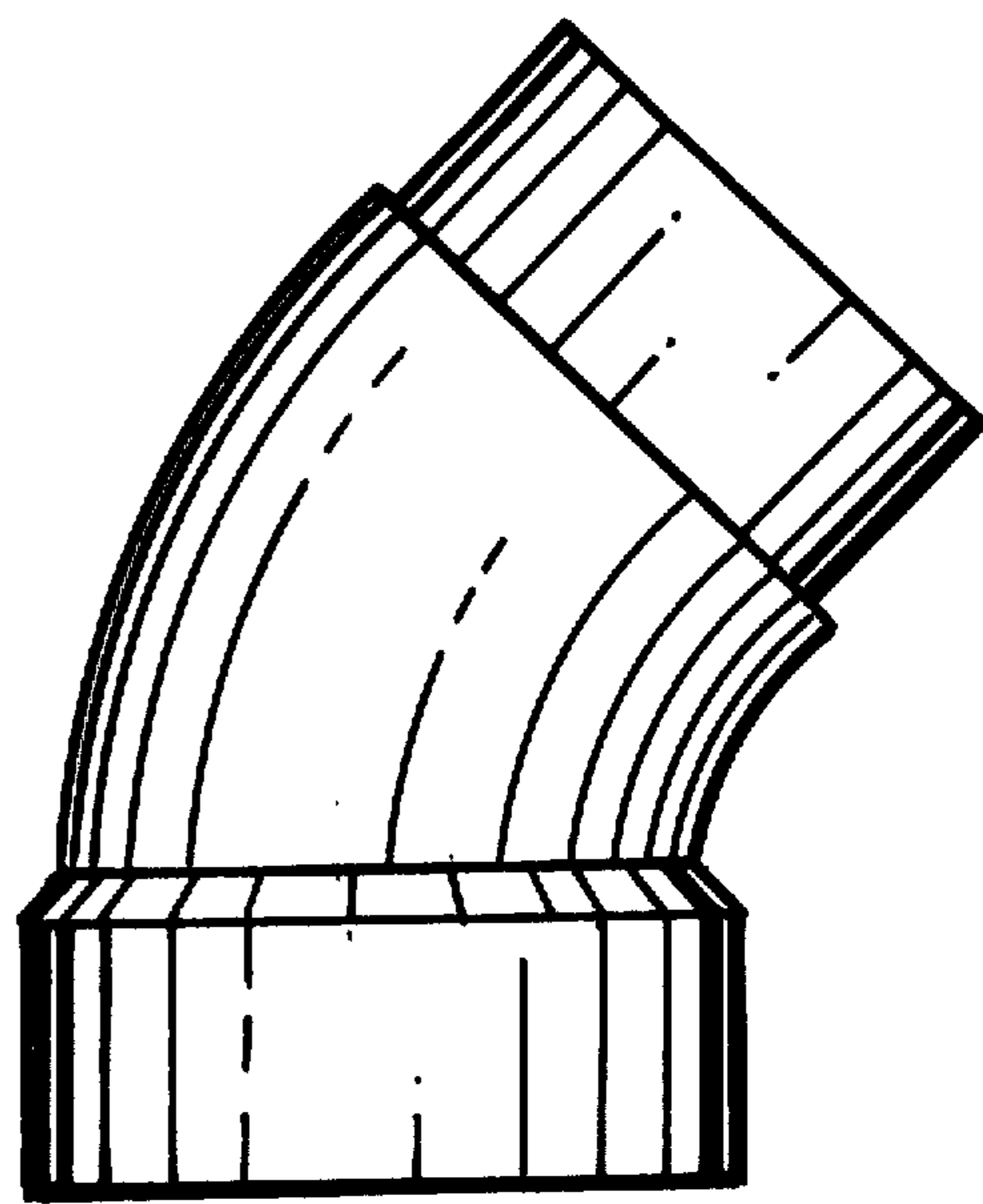


FIG. 7