

[54] CLOCK

[76] Inventor: Stephen P. Diskin, 615 S. Ridgeley Dr., Los Angeles, Calif. 90036

[**] Term: 14 Years

[21] Appl. No.: 167,535

[22] Filed: Jul. 10, 1980

[51] Int. Cl. D10-01

[52] U.S. Cl. D10/22; D10/6

[58] Field of Search D10/1, 2, 6, 21, 22, D10/23, 24-28; D23/43, 40, 44-45; 285/179, 237, 423; 368/276-277, 280, 285

[56] References Cited

U.S. PATENT DOCUMENTS

- D. 180,960 9/1957 Schaus D10/124
- D. 181,620 12/1957 Bloch D10/124
- D. 229,409 11/1973 Luckenbill D23/43
- D. 249,648 9/1978 Geitenbeek D10/1

FOREIGN PATENT DOCUMENTS

581439 8/1959 Canada 285/237

OTHER PUBLICATIONS

Lee Bros. Corp. Cat. No. 64-8/1964-p. 24-Fitting Ell #20-271 at top-right.

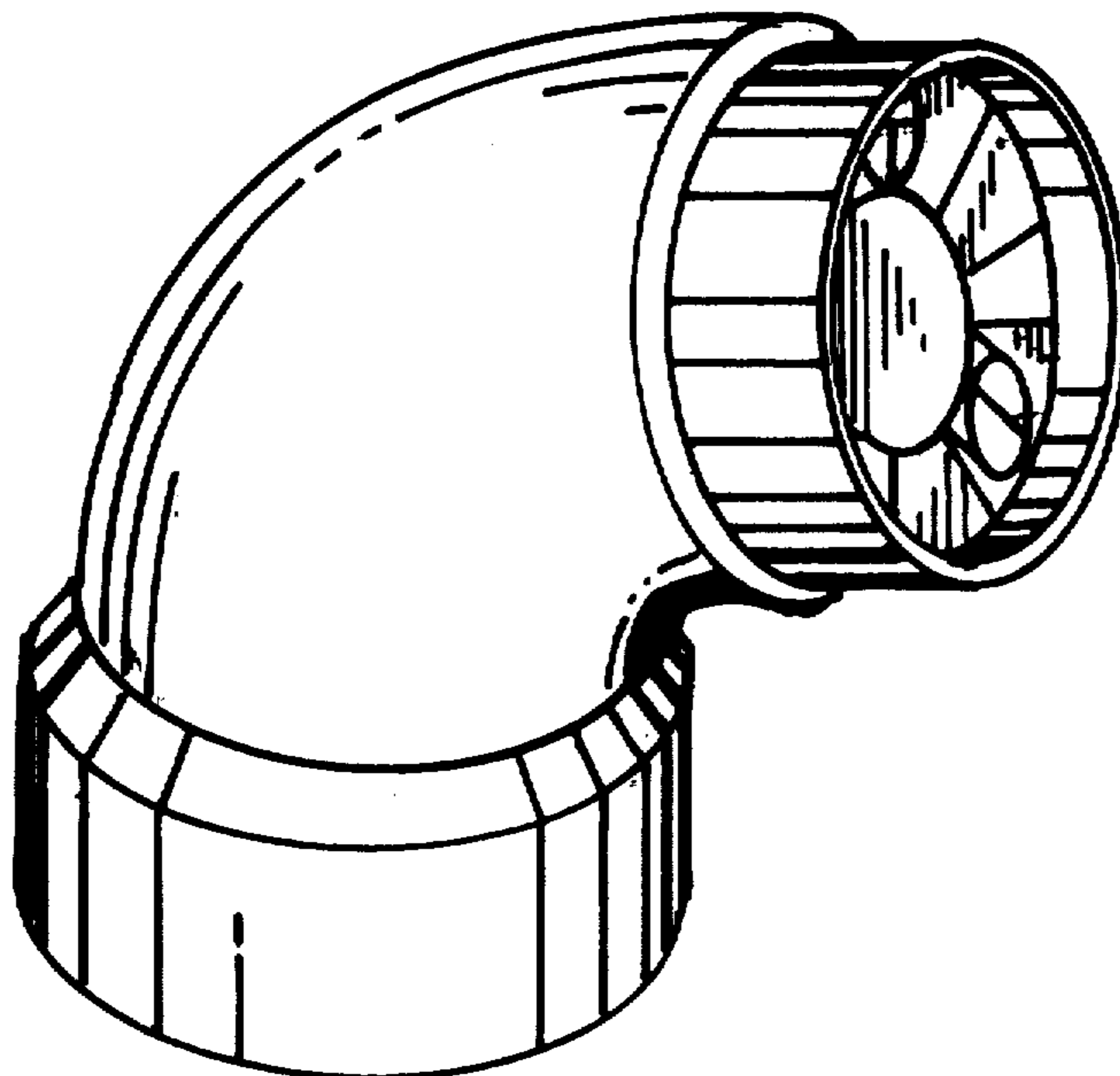
Primary Examiner—Nelson C. Holtje
Attorney, Agent, or Firm—William Nitkin

[57] CLAIM

The ornamental design for a clock, as shown and described.

DESCRIPTION

FIG. 1 is a front elevational view of a clock showing my new design;
 FIG. 2 is a rear elevational view thereof;
 FIG. 3 is a right side elevational view thereof;
 FIG. 4 is a left side elevational view thereof;
 FIG. 5 is a top plan view thereof;
 FIG. 6 is a bottom plan view thereof;
 FIG. 7 is a left front perspective view thereof.



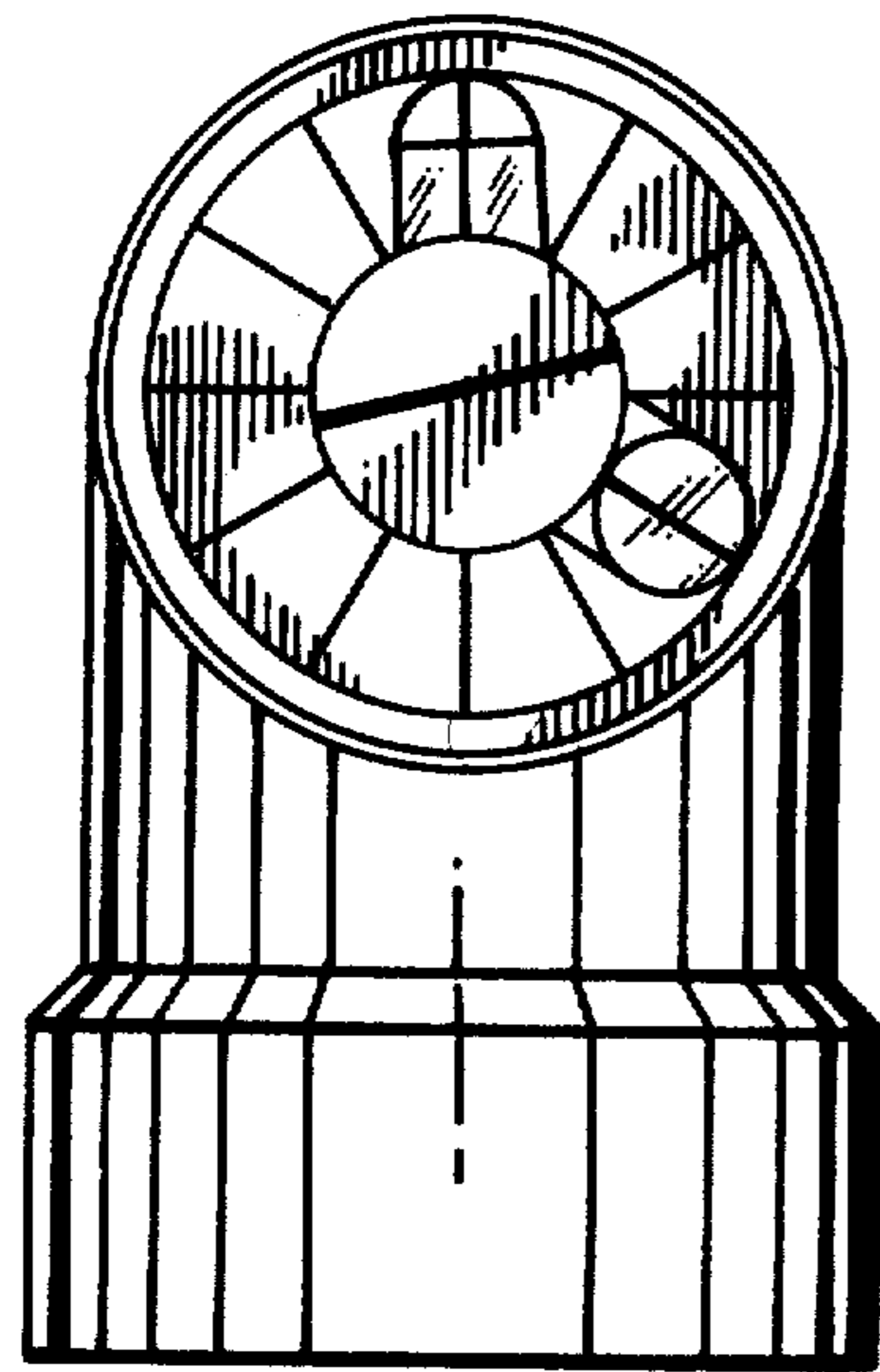


FIG. 1

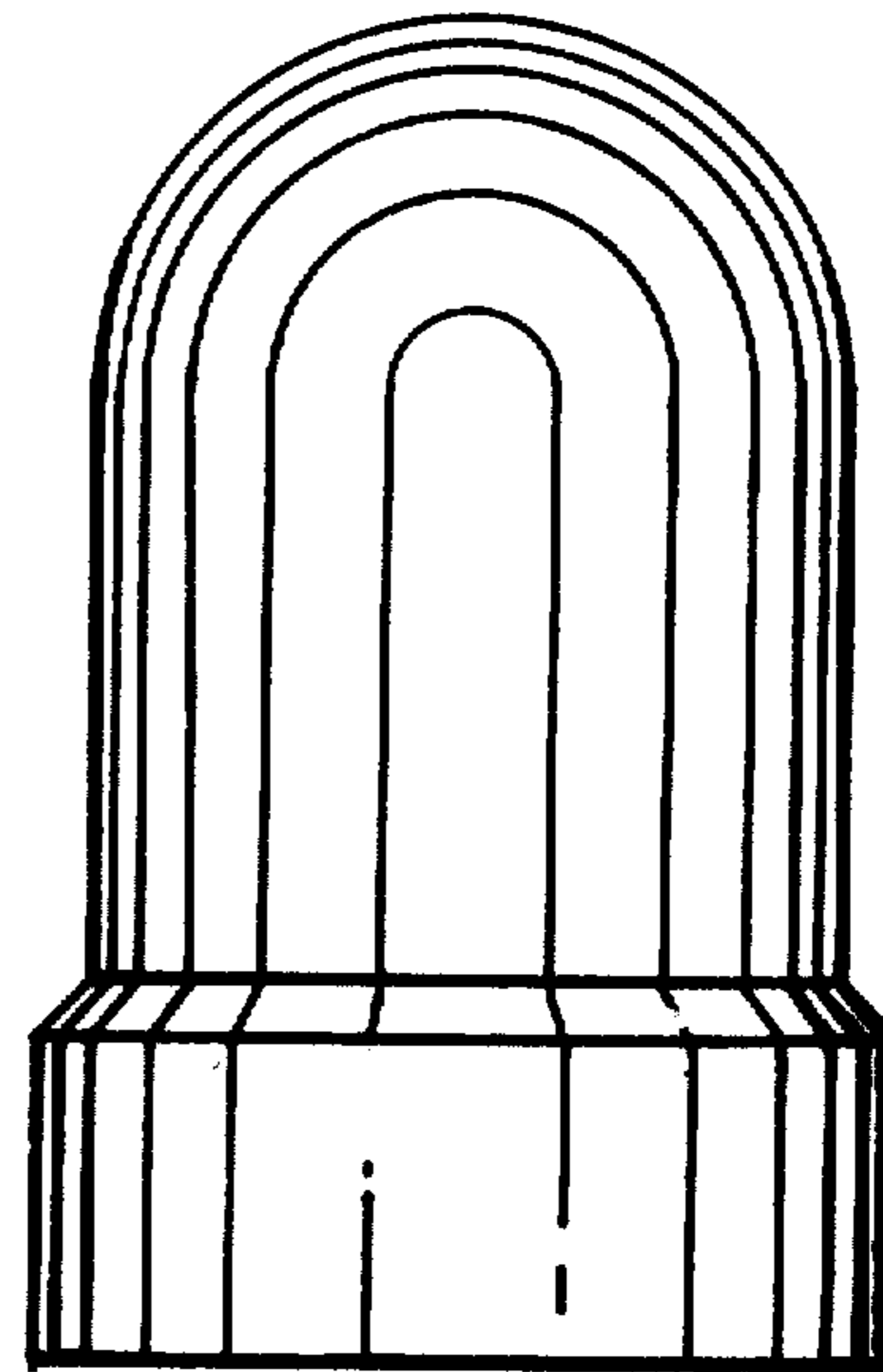


FIG. 2

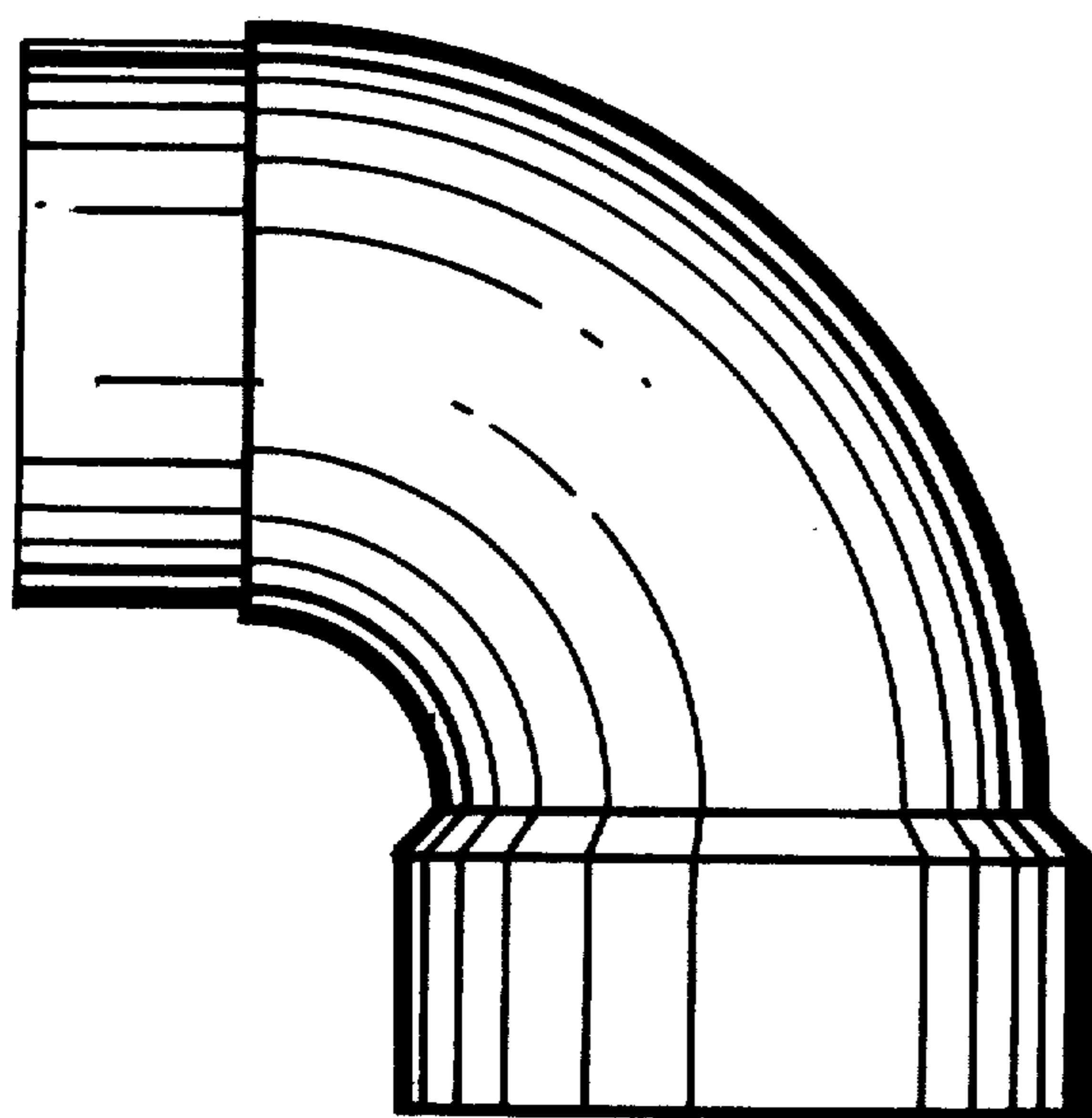


FIG. 3

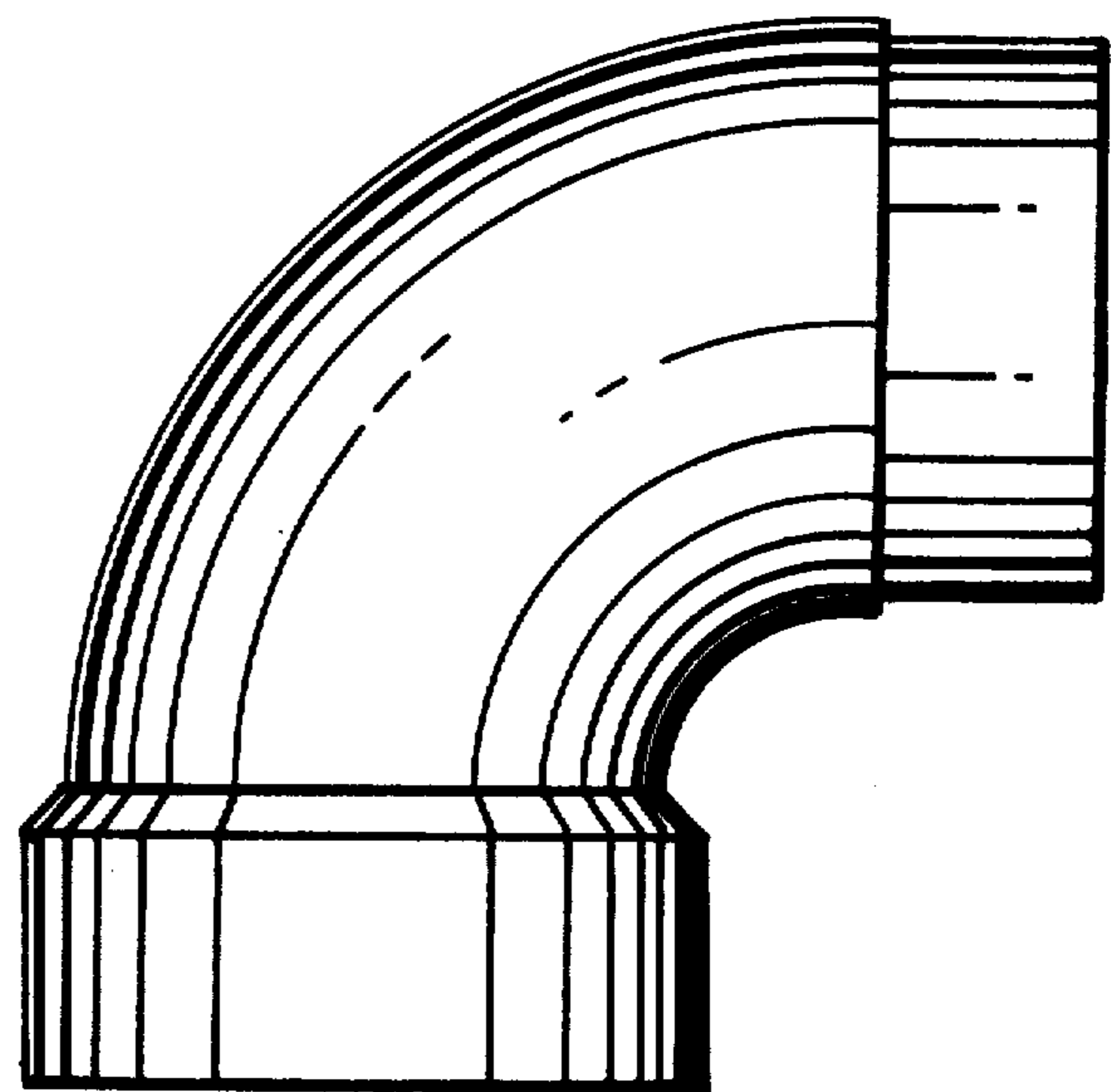


FIG. 4

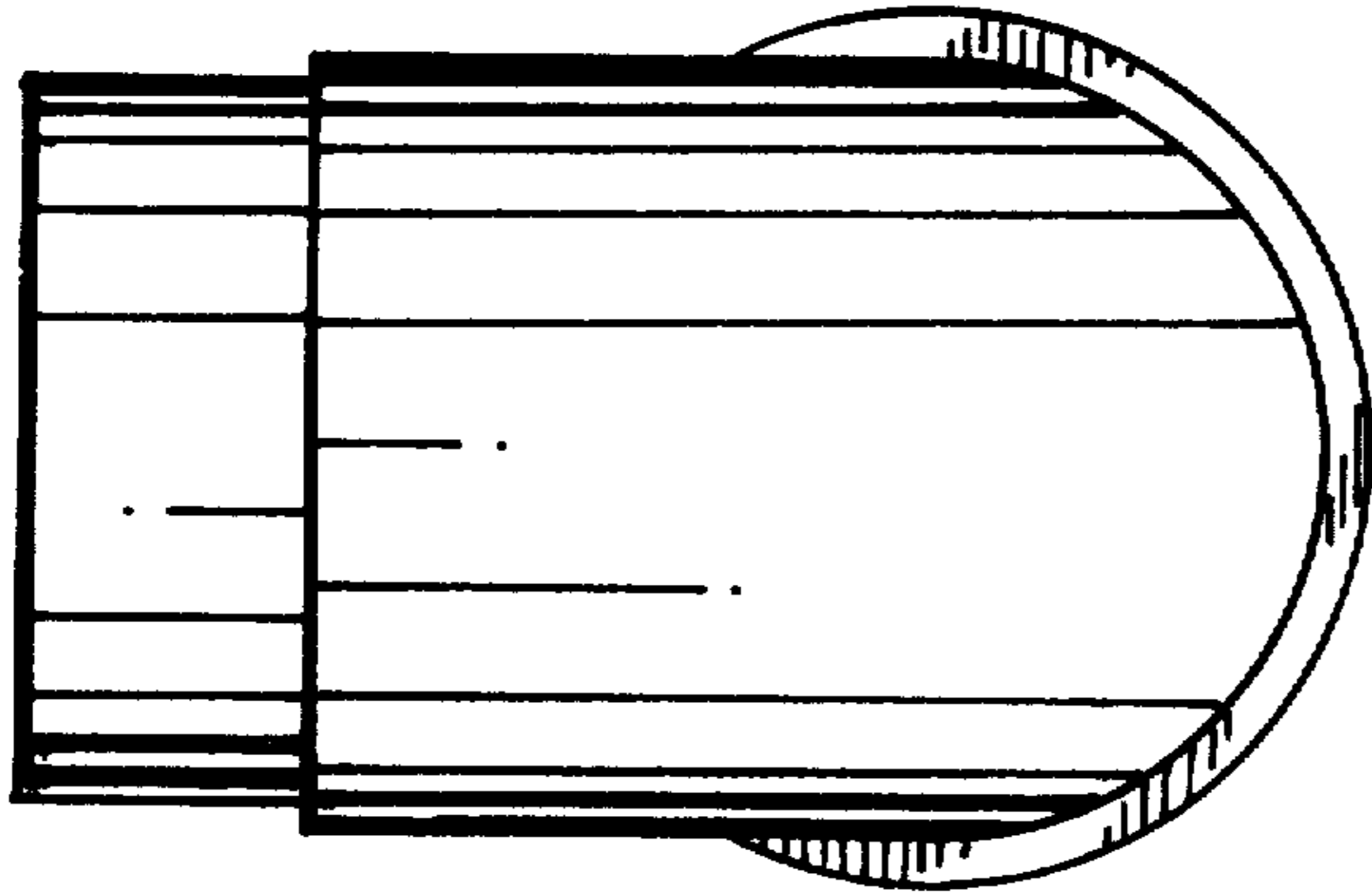


FIG. 5

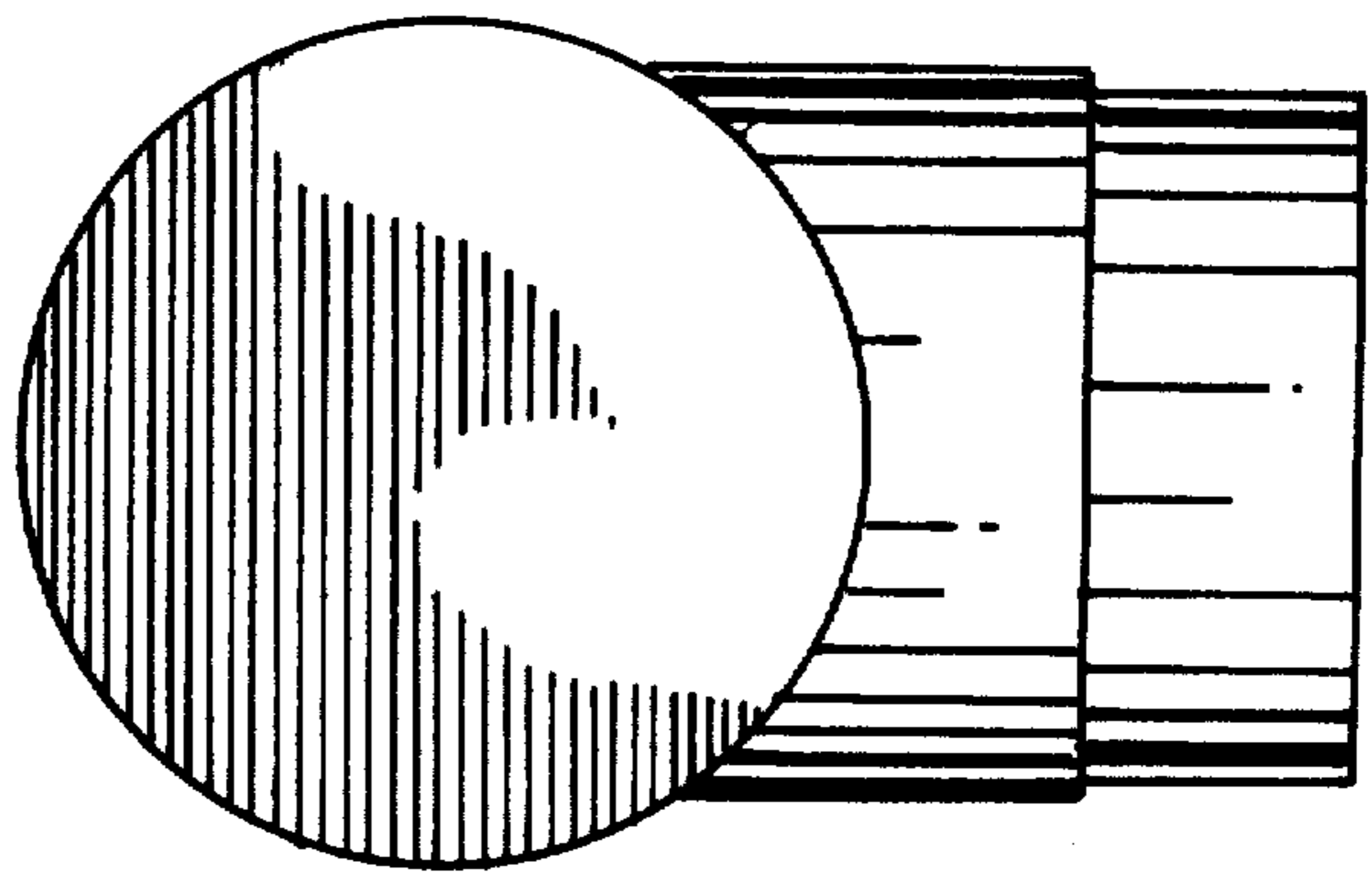


FIG. 6

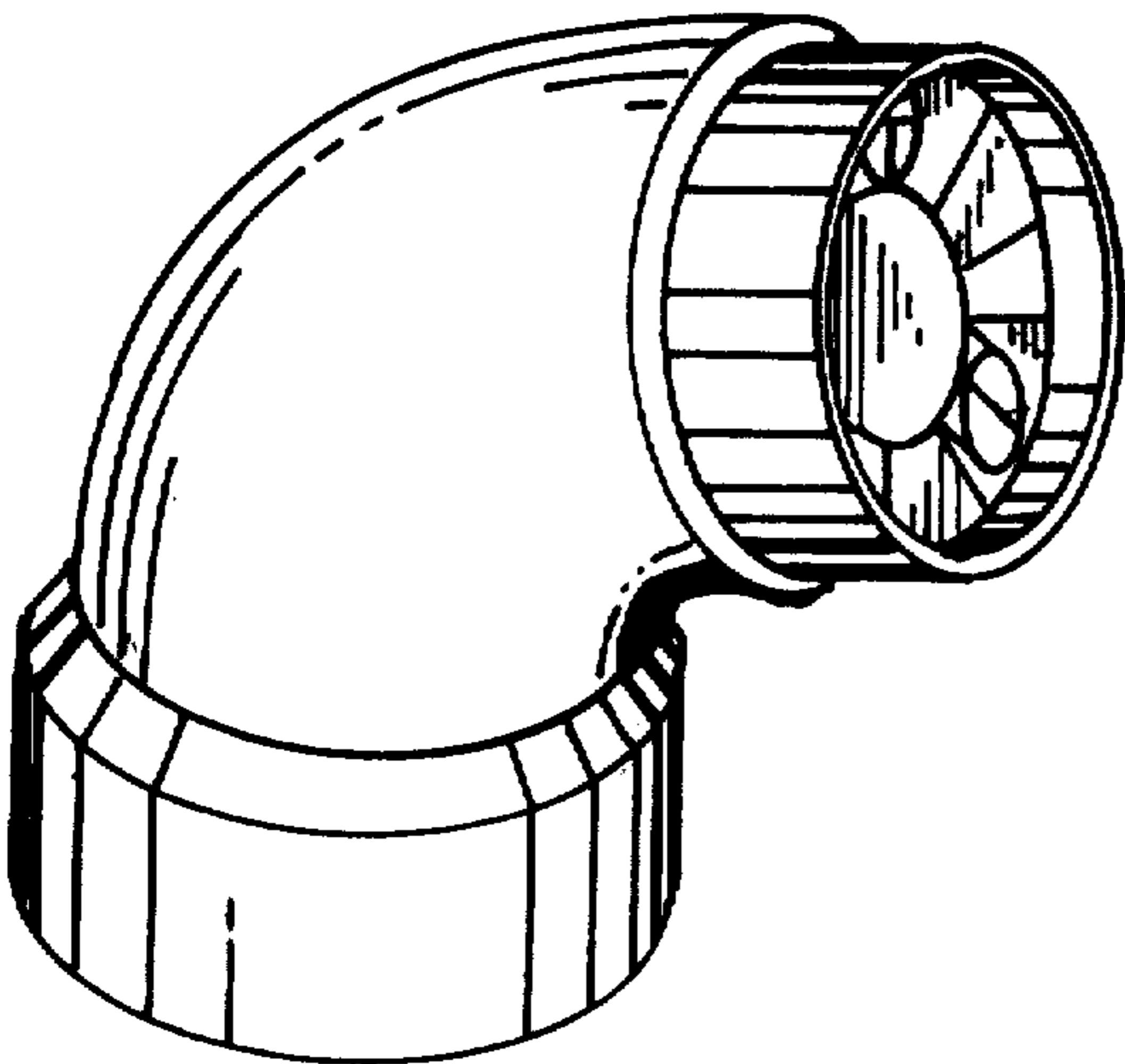


FIG. 7