

[54] **FOOD CAN OR THE LIKE**
[75] **Inventor: Gary K. Hasegawa, Chicago, Ill.**
[73] **Assignee: The Continental Group, Inc., Stamford, Conn.**
[**] **Term: 14 Years**
[21] **Appl. No.: 931,237**
[22] **Filed: Aug. 7, 1978**
[51] **Int. Cl. D9-03**
[52] **U.S. Cl. D9/416**
[58] **Field of Search 229/3.5 MF, 3.5, 2.5; D3/30, 66, 67, 68; D23/2; D9/219, 240, 242, 243, 255, 256, 237, 231; D7/16, 76**

[56] **References Cited**
U.S. PATENT DOCUMENTS
D. 188,821 9/1960 Dias D9/237
D. 194,429 1/1963 Kuhn D9/219 X
D. 196,272 9/1963 Gran D23/2
D. 209,239 11/1967 Bernstein D9/240
D. 209,629 12/1967 Brockway D9/231

D. 232,302 8/1974 Lazure D9/219
D. 253,580 12/1979 Mascia D9/240 X
3,506,324 4/1970 Fristedt D3/30 X
3,946,871 3/1976 Sturm 229/3.5 MF

Primary Examiner—Robert C. Spangler
Attorney, Agent, or Firm—John J. Kowalik

[57] **CLAIM**

The ornamental design for a food can or the like, as shown and described.

DESCRIPTION

FIG. 1 is bottom perspective view of a food can or the like showing my new design;
FIG. 2 is a side elevational view thereof;
FIG. 3 is an end elevational view;
FIG. 4 is a top plan view;
FIG. 5 is a bottom plan view;
FIG. 6 is a bottom perspective view showing a modified form of my new design;
FIG. 7 is a side elevational view thereof;
FIG. 8 is an end elevational view;
FIG. 9 is a top plan view; and
FIG. 10 is a bottom plan view.

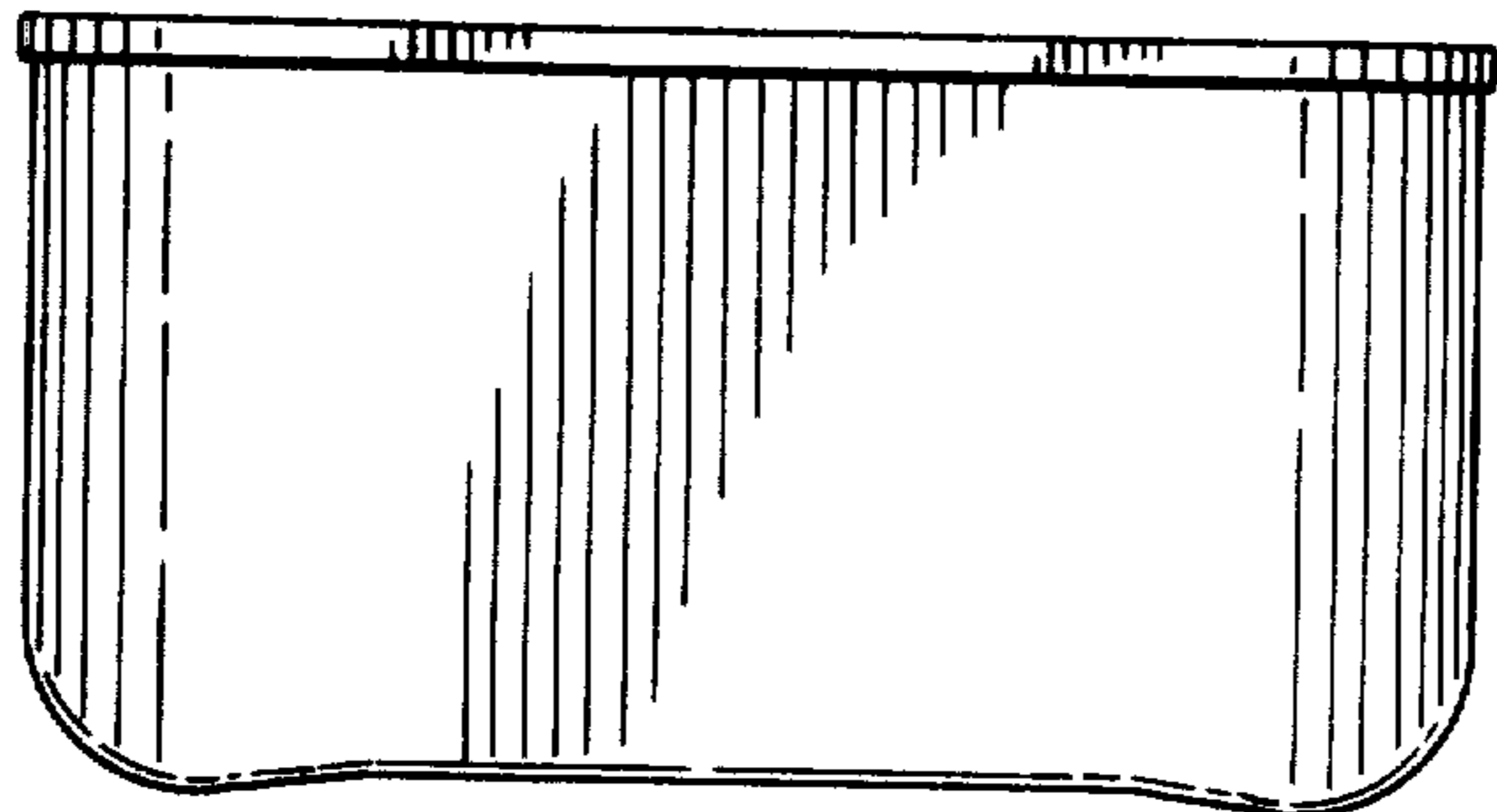


FIG. 1

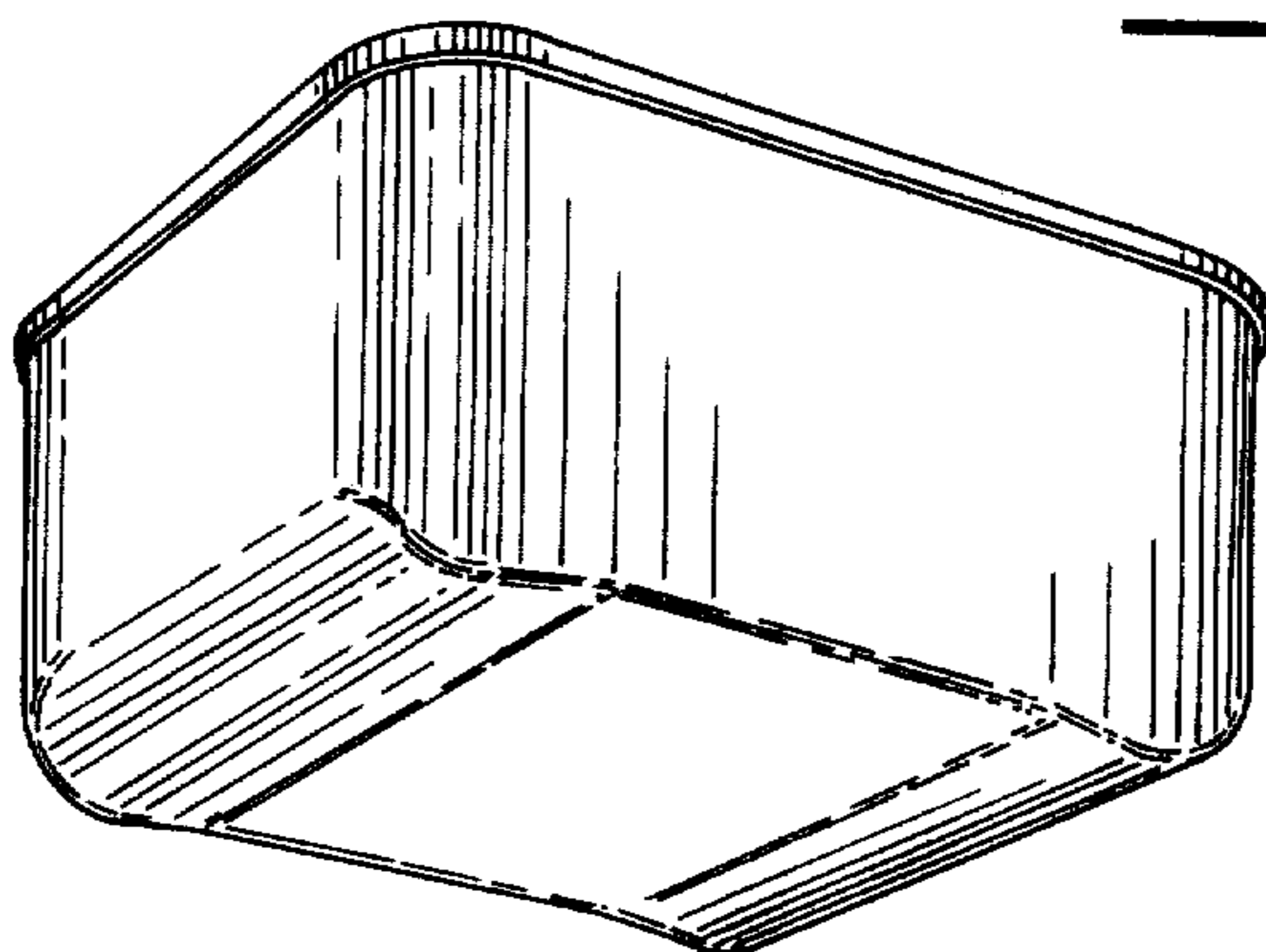


FIG. 2

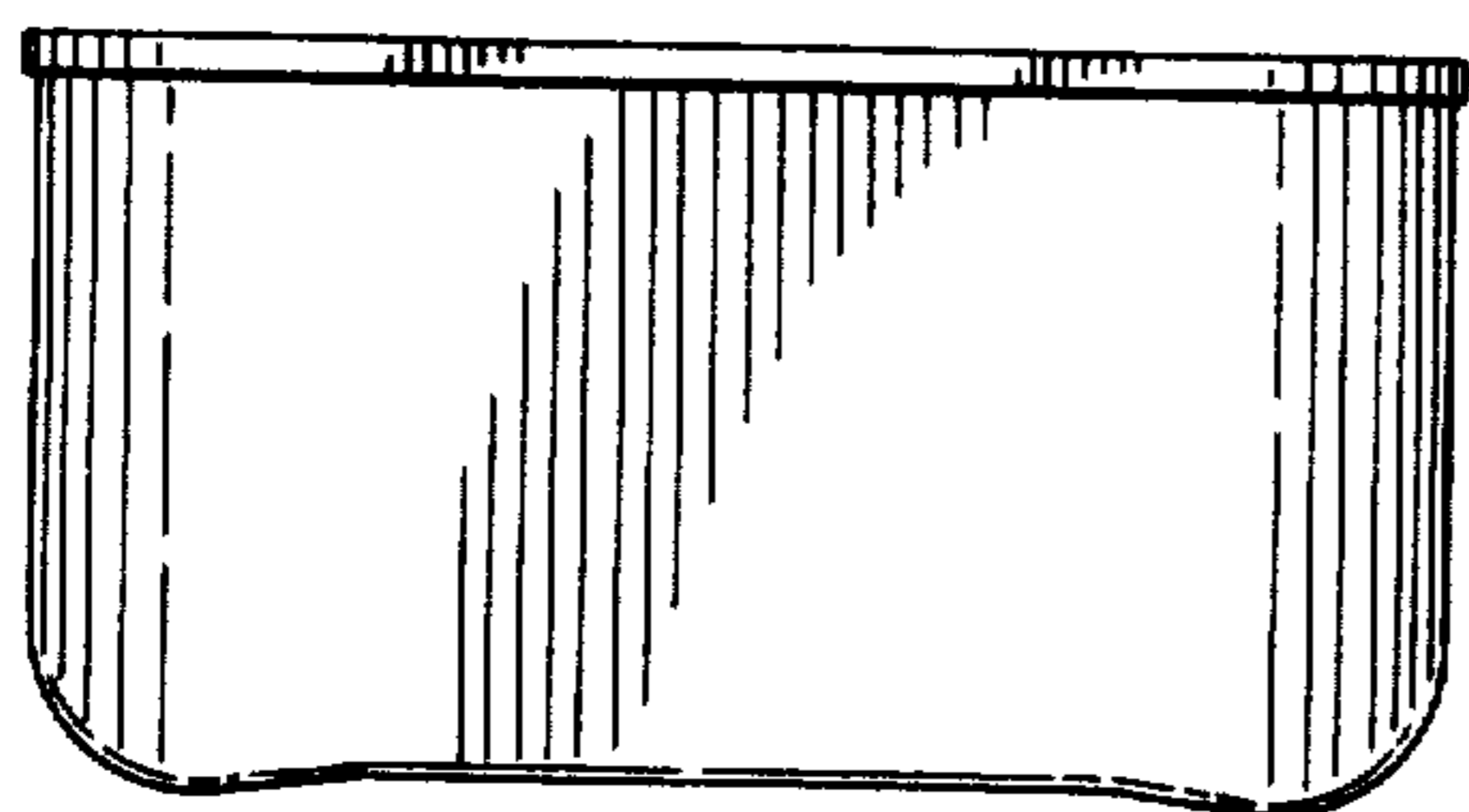


FIG. 3

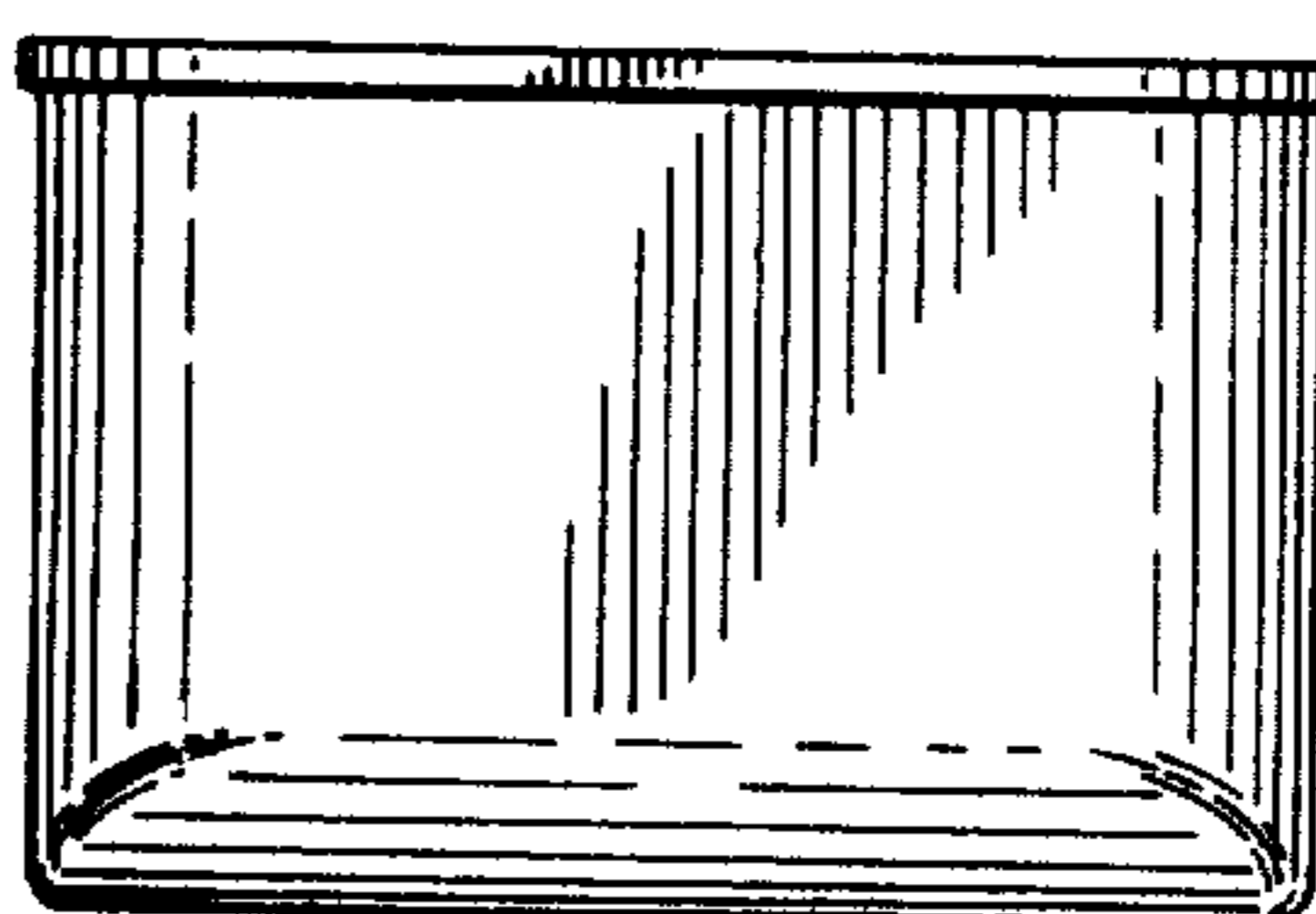


FIG. 4

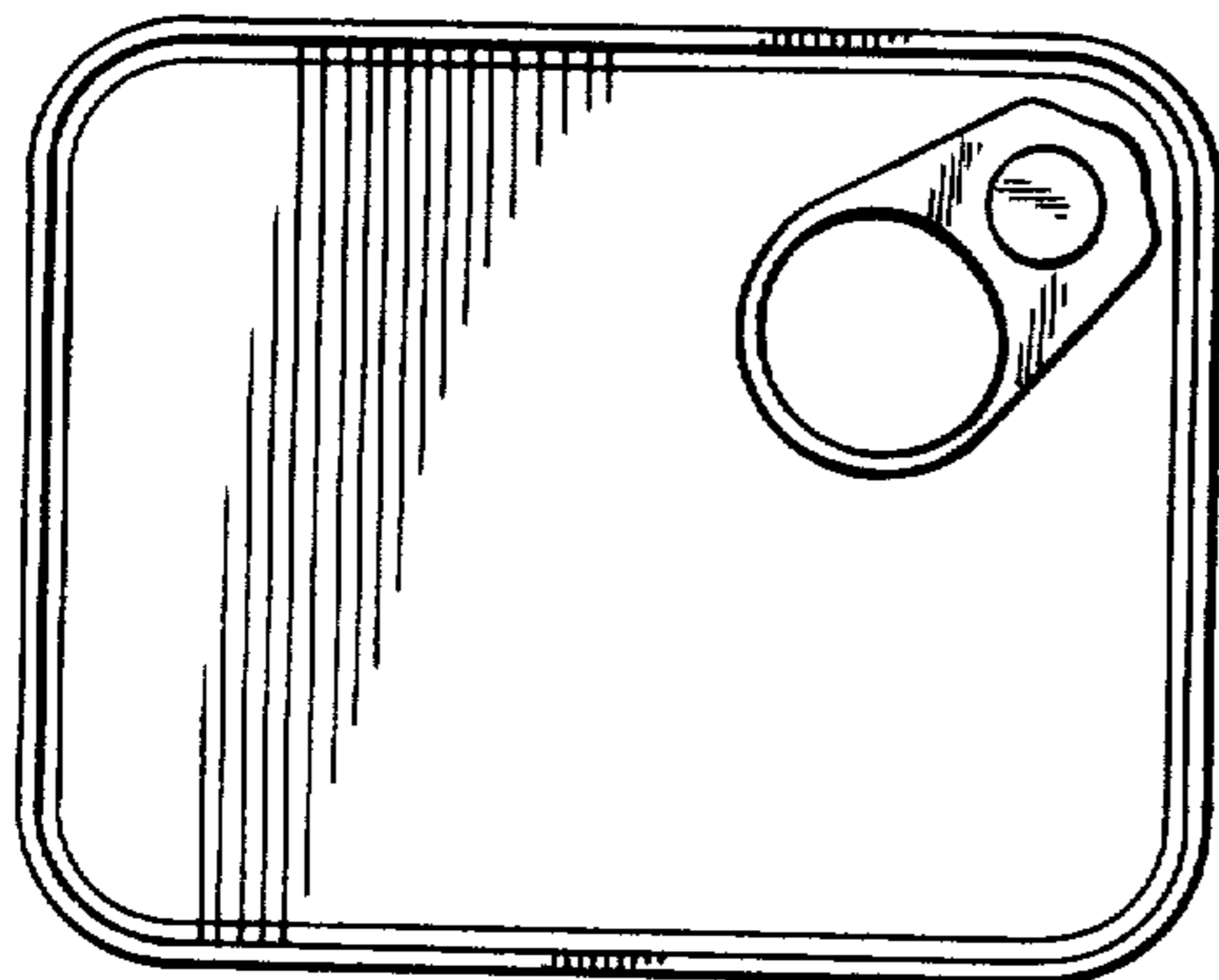
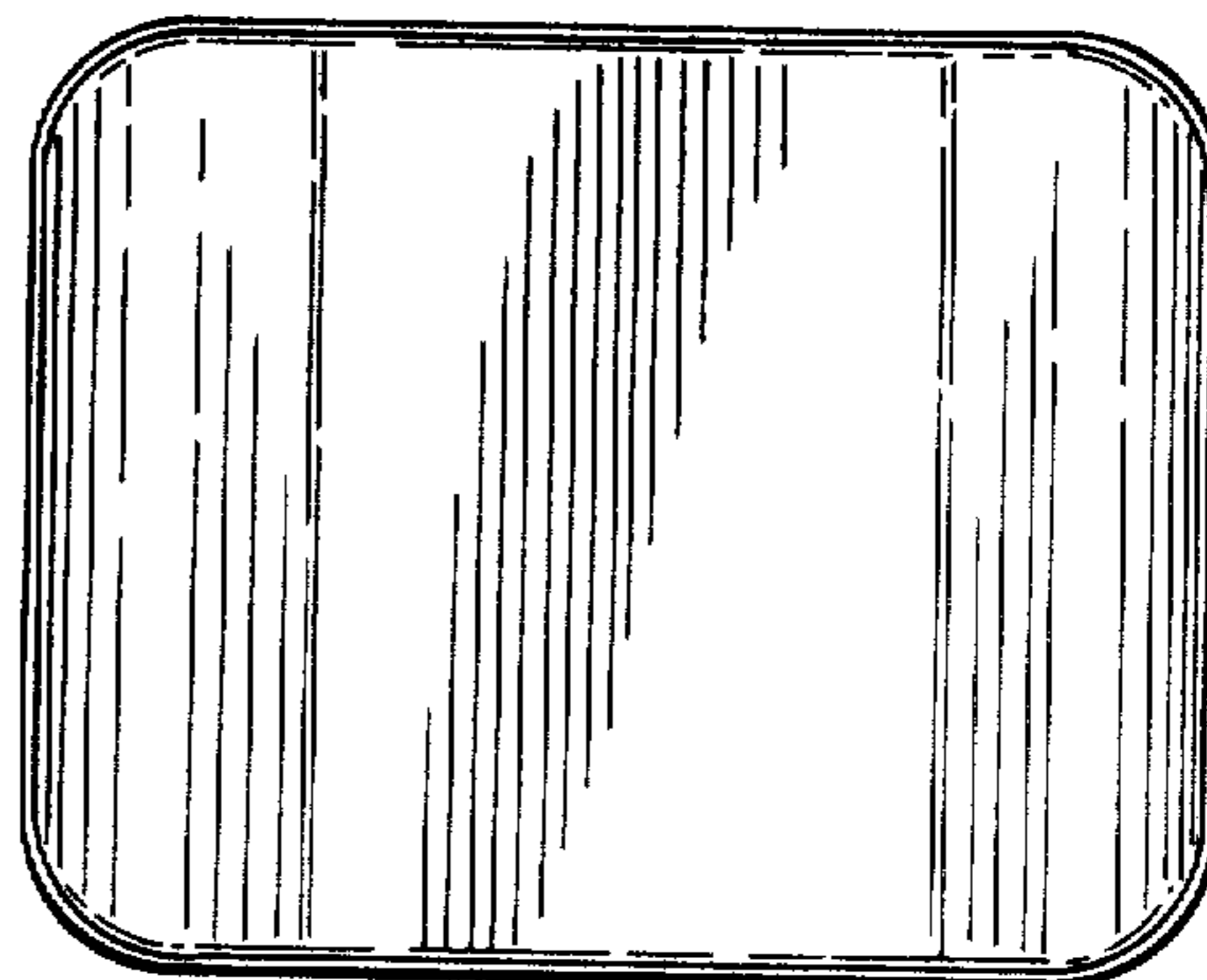


FIG. 5



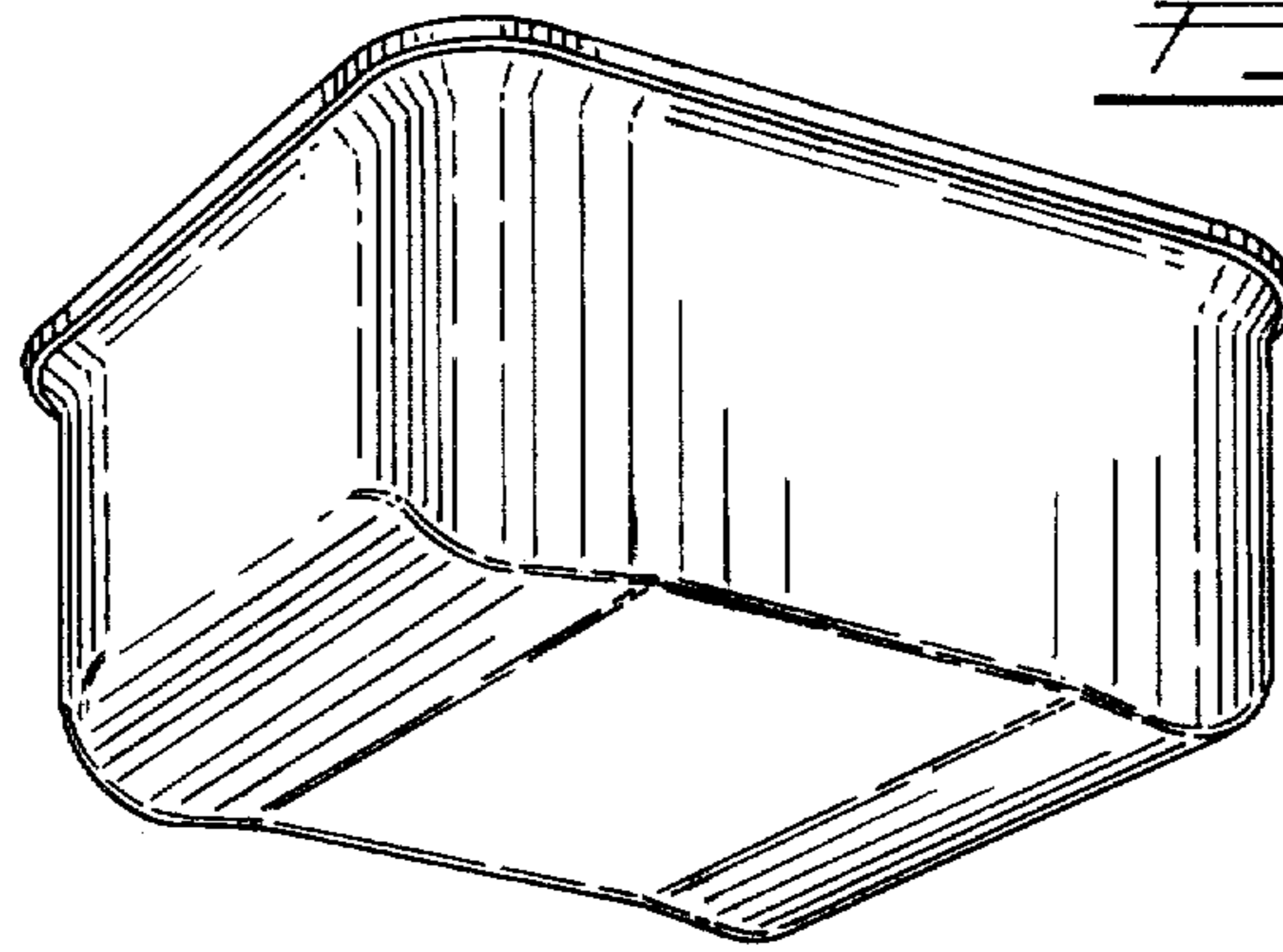


FIG. 6

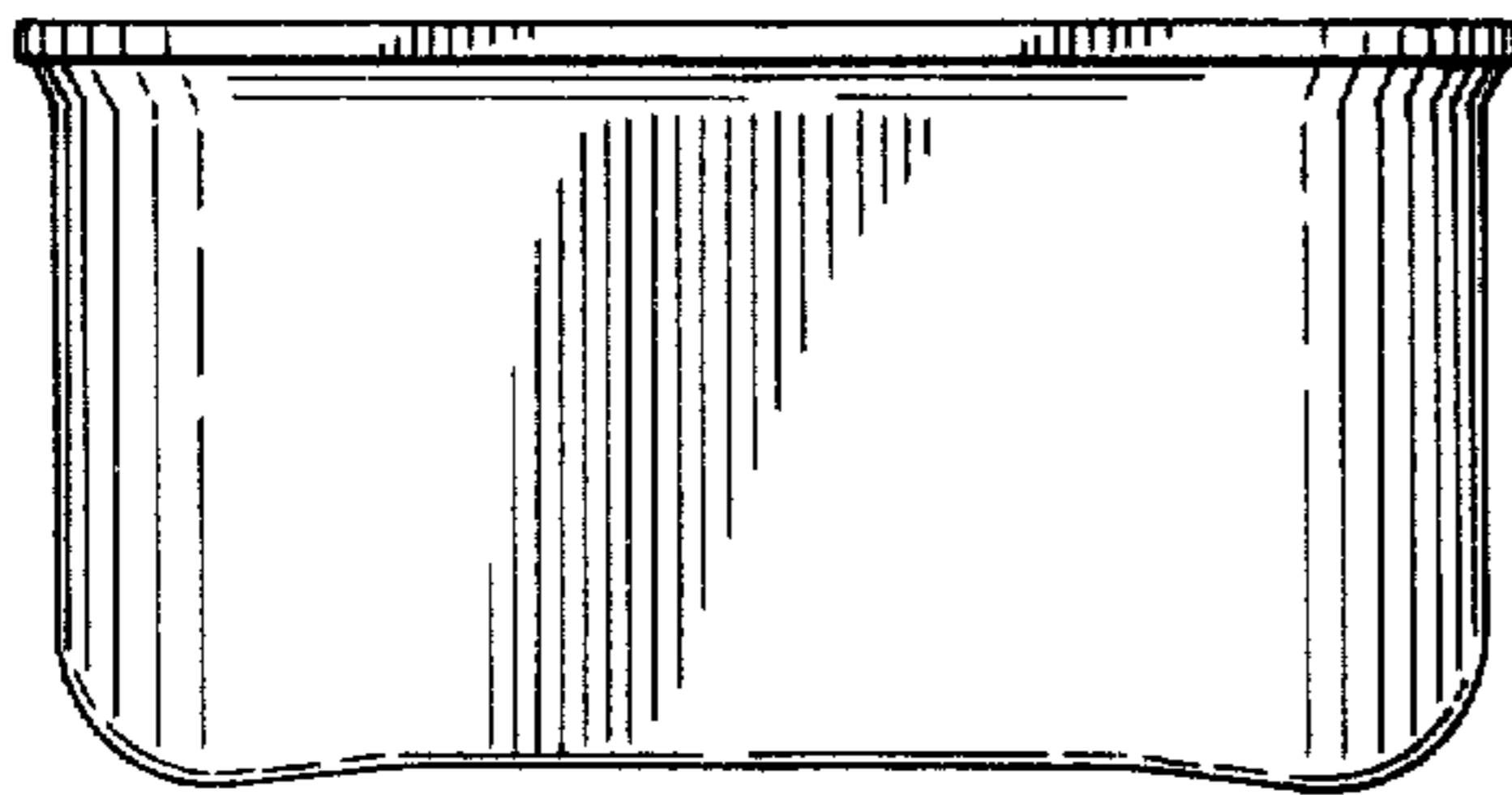


FIG. 7

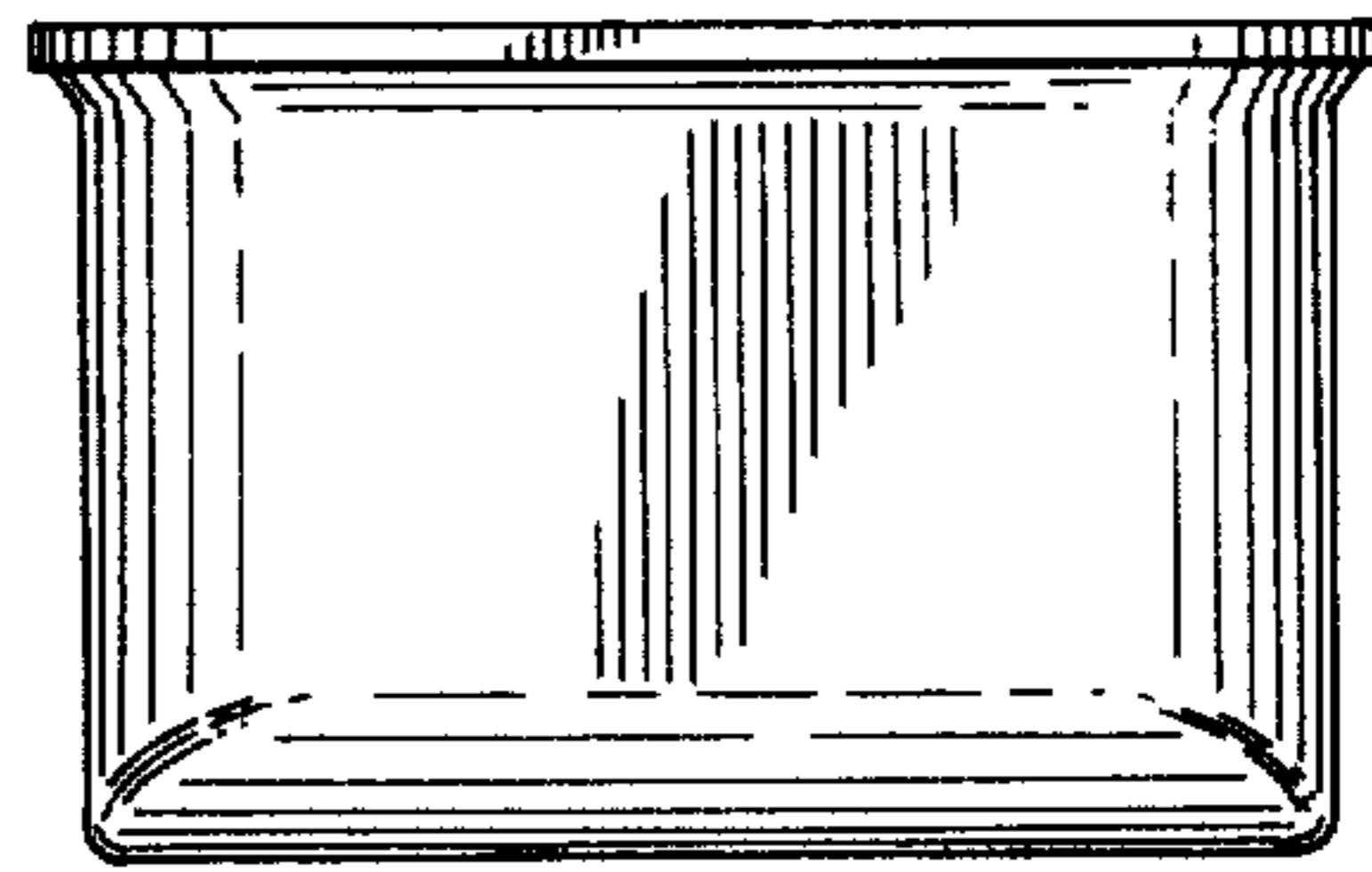


FIG. 8

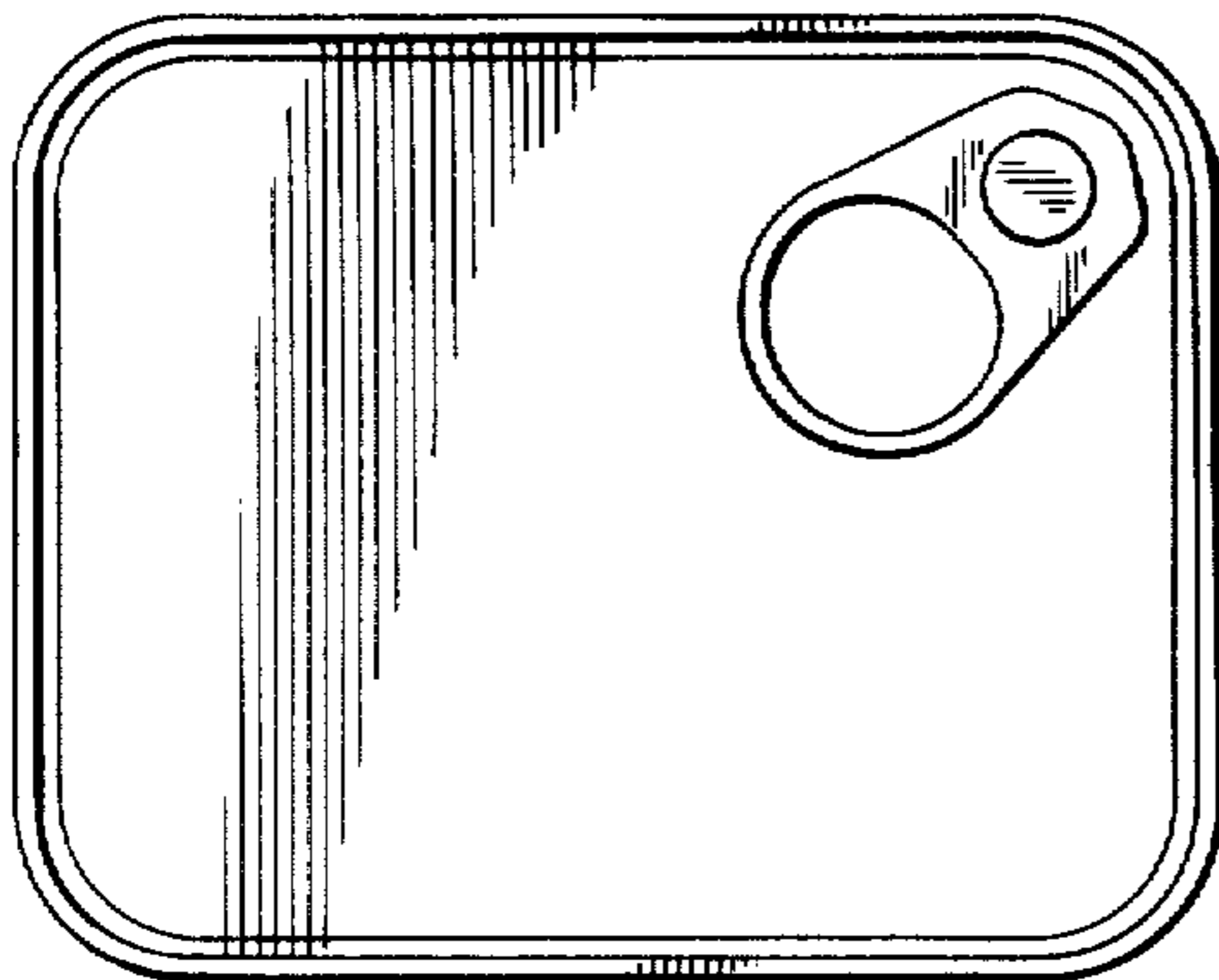


FIG. 9

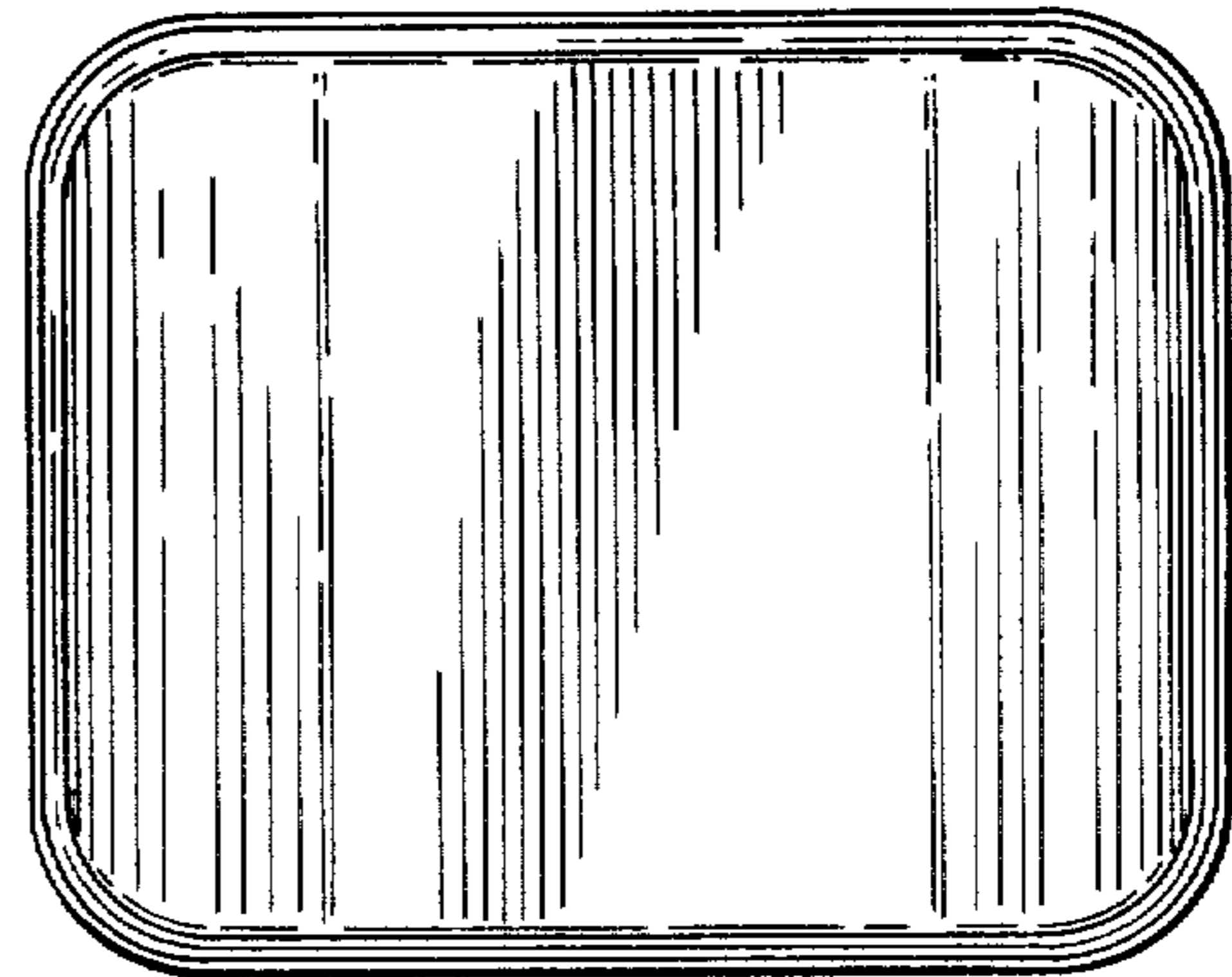


FIG. 10