

[54] JAR OR SIMILAR ARTICLE

[75] Inventor: Floyd E. Pettengill, Lancaster, Ohio

[73] Assignee: Anchor Hocking Corporation,
Lancaster, Ohio

[**] Term: 14 Years

[21] Appl. No.: 150,192

[22] Filed: May 15, 1980

[51] Int. Cl. D9-01

[52] U.S. Cl. D9/385; D9/393;
D9/410; D7/79

[58] Field of Search D9/384-386,
D9/390, 392-399, 400-402, 406, 407, 409-412;
215/1 R, 1 C; D7/16, 17, 79, 28

[56] References Cited

U.S. PATENT DOCUMENTS

D. 112,632 12/1938 Berkowitz D9/386

D. 197,905 4/1964 Friedman D9/393 X
D. 249,998 10/1978 Gobleck, Jr. D7/79
D. 258,566 3/1981 Potter D7/79 X
D. 258,570 3/1981 Pettengill D7/79 X

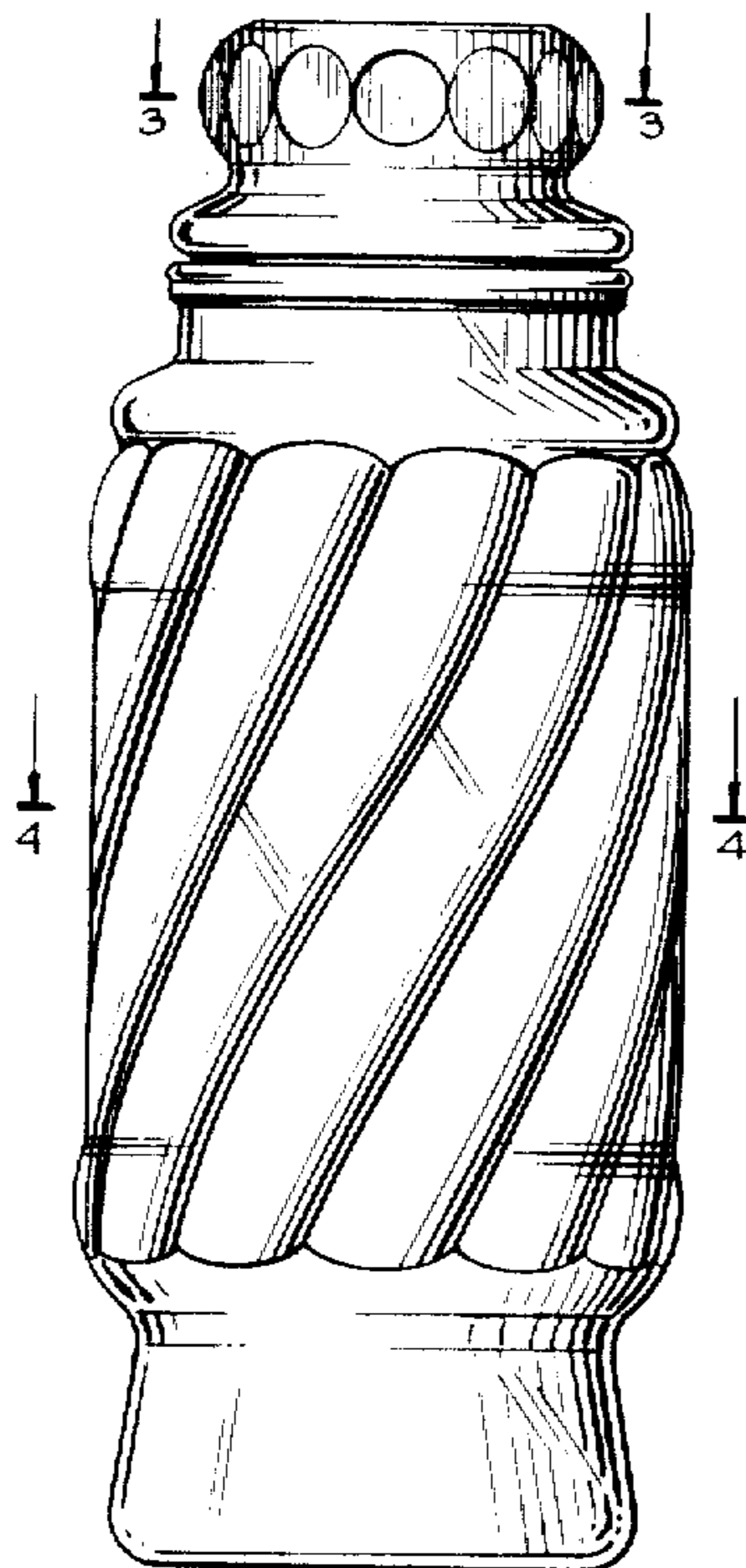
Primary Examiner—Robert C. Spangler
Attorney, Agent, or Firm—Holland, Armstrong, Wilkie
& Previto

[57] CLAIM

The ornamental design for a jar or similar article, substantially as shown and described.

DESCRIPTION

FIG. 1 is an elevational view of a jar or similar article showing my new design;
FIG. 2 is a top view thereof;
FIG. 3 is a sectional view taken along line 3—3 of FIG. 1;
FIG. 4 is a sectional view taken along line 4—4 of FIG. 1; and
FIG. 5 is a fragmentary exploded side elevational view thereof.



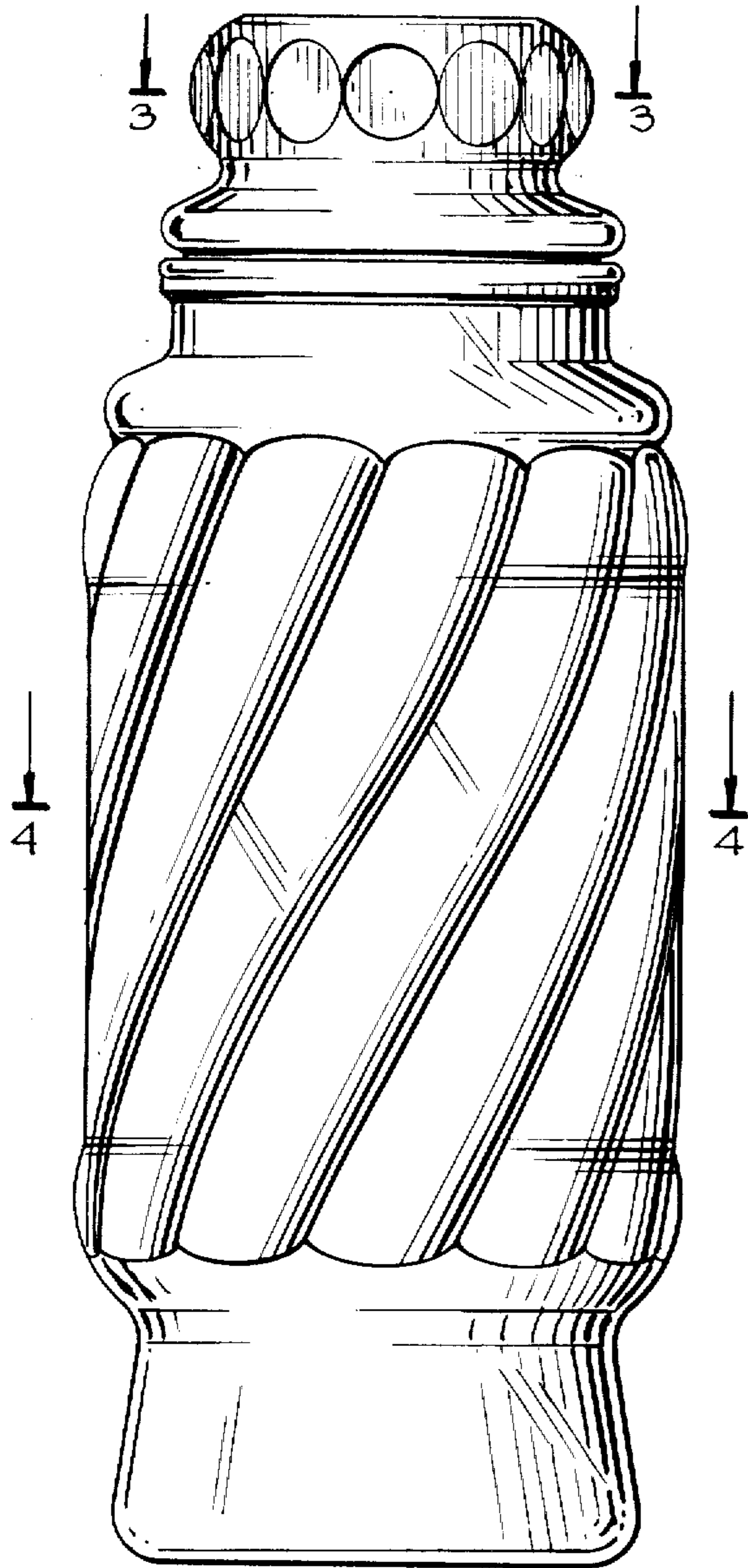


Fig. 1.

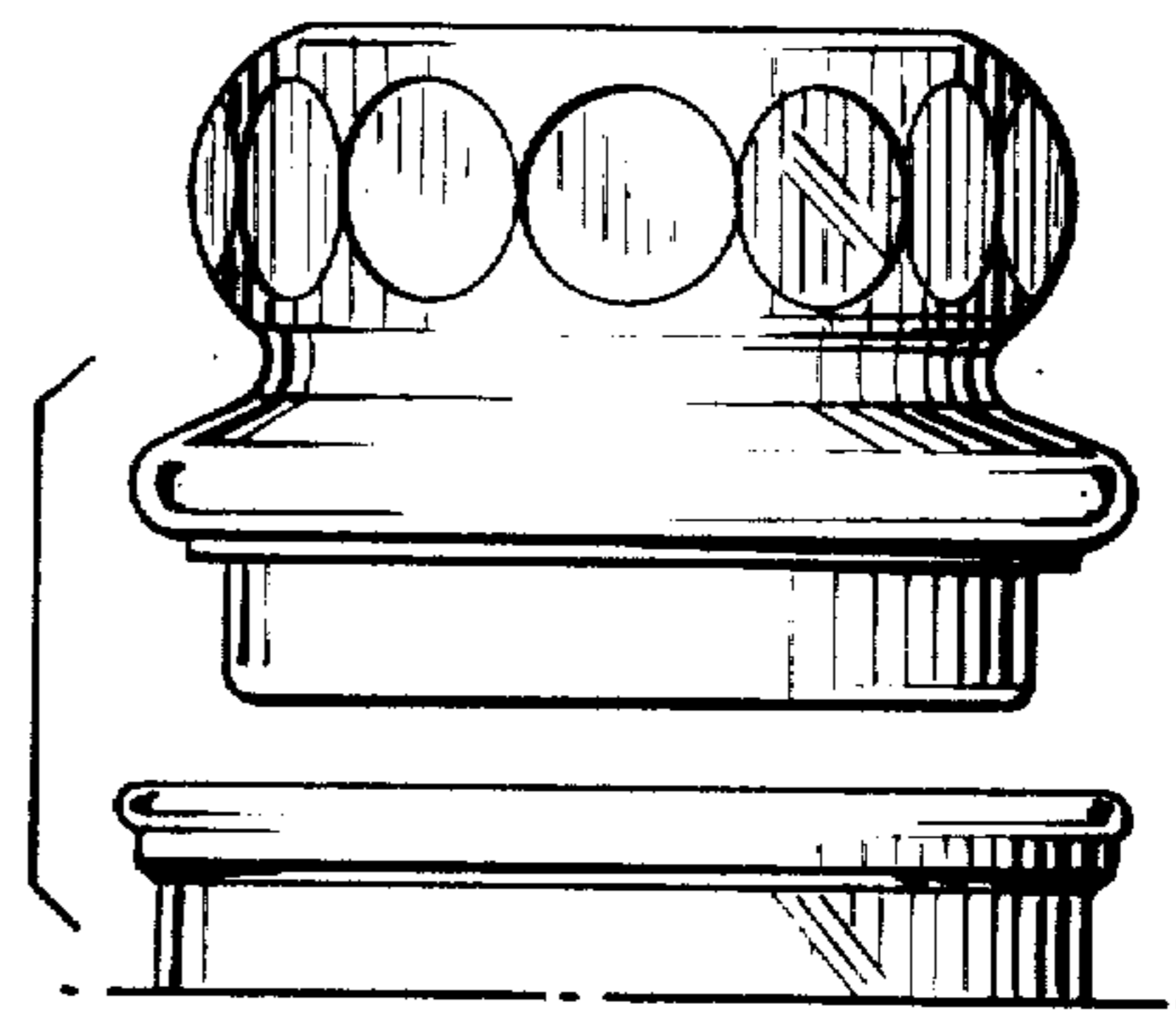


Fig. 5.

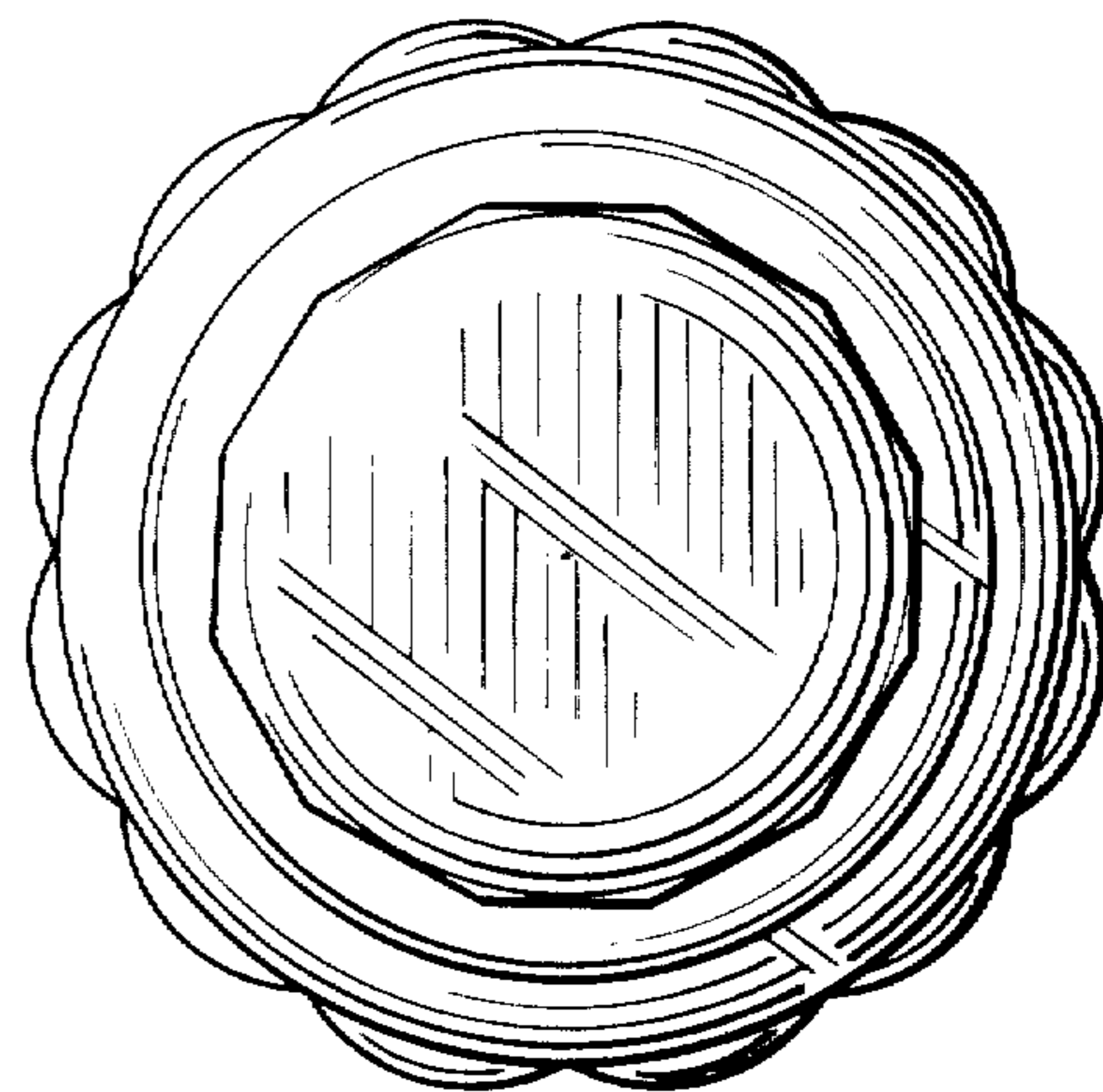


Fig. 2.

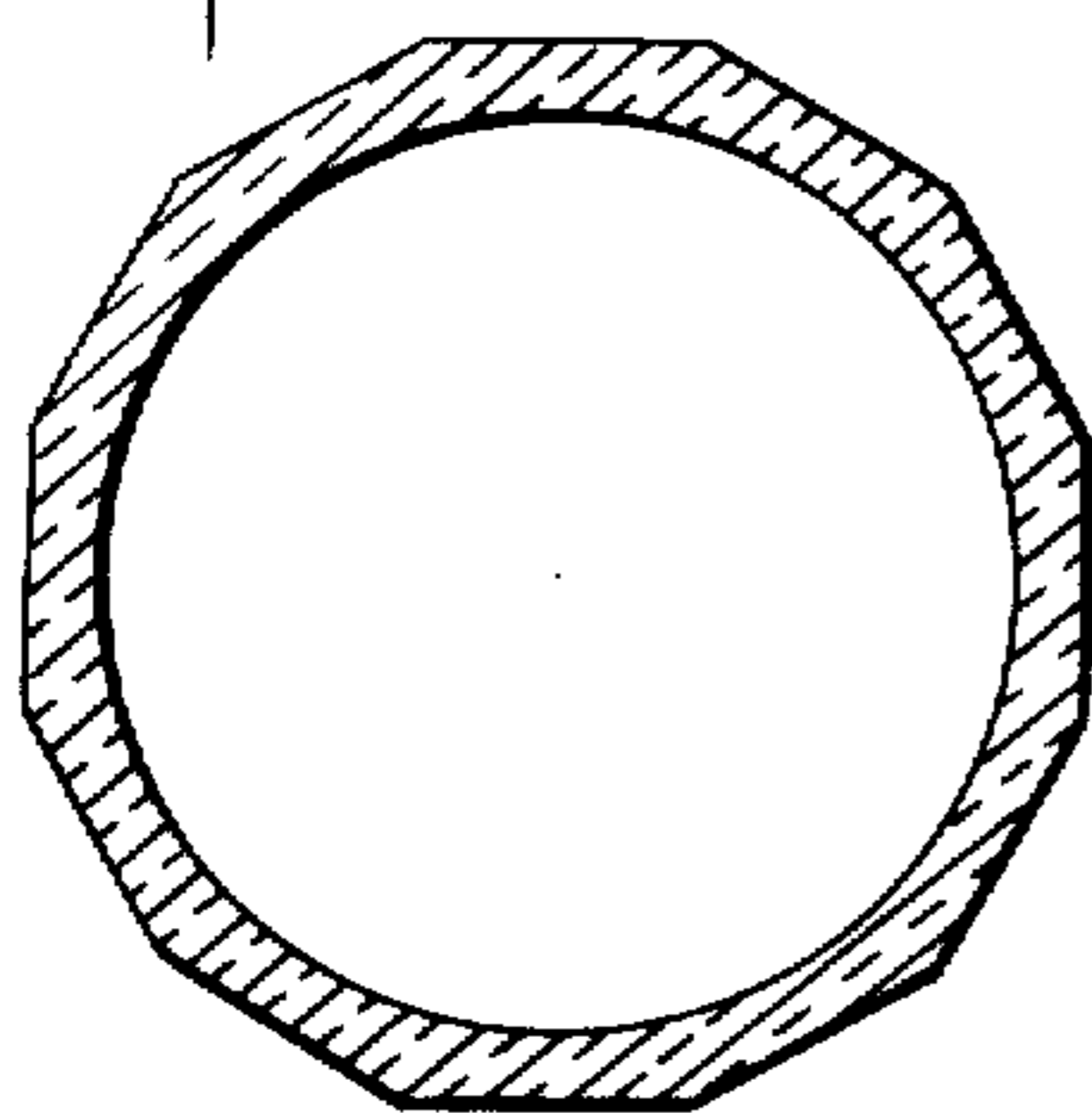


Fig. 3.

Fig. 4.

