

[54] HOOK

3,216,680 11/1965 Musante 248/304 X
3,912,211 10/1975 Topf 248/497 X
4,040,149 8/1977 Einhorn 248/497 X

[75] Inventor: Ruediger Einhorn, Katonah, N.Y.

[73] Assignee: Coats & Clark, Inc., New Rochelle, N.Y.

Primary Examiner—A. Hugo Word
Attorney, Agent, or Firm—Burgess, Ryan and Wayne

[**] Term: 14 Years

[57] CLAIM

[21] Appl. No.: 143,605

The ornamental design for a hook, substantially as shown and described.

[22] Filed: Apr. 25, 1980

DESCRIPTION

[51] Int. Cl. D8—08

[52] U.S. Cl. D8/367

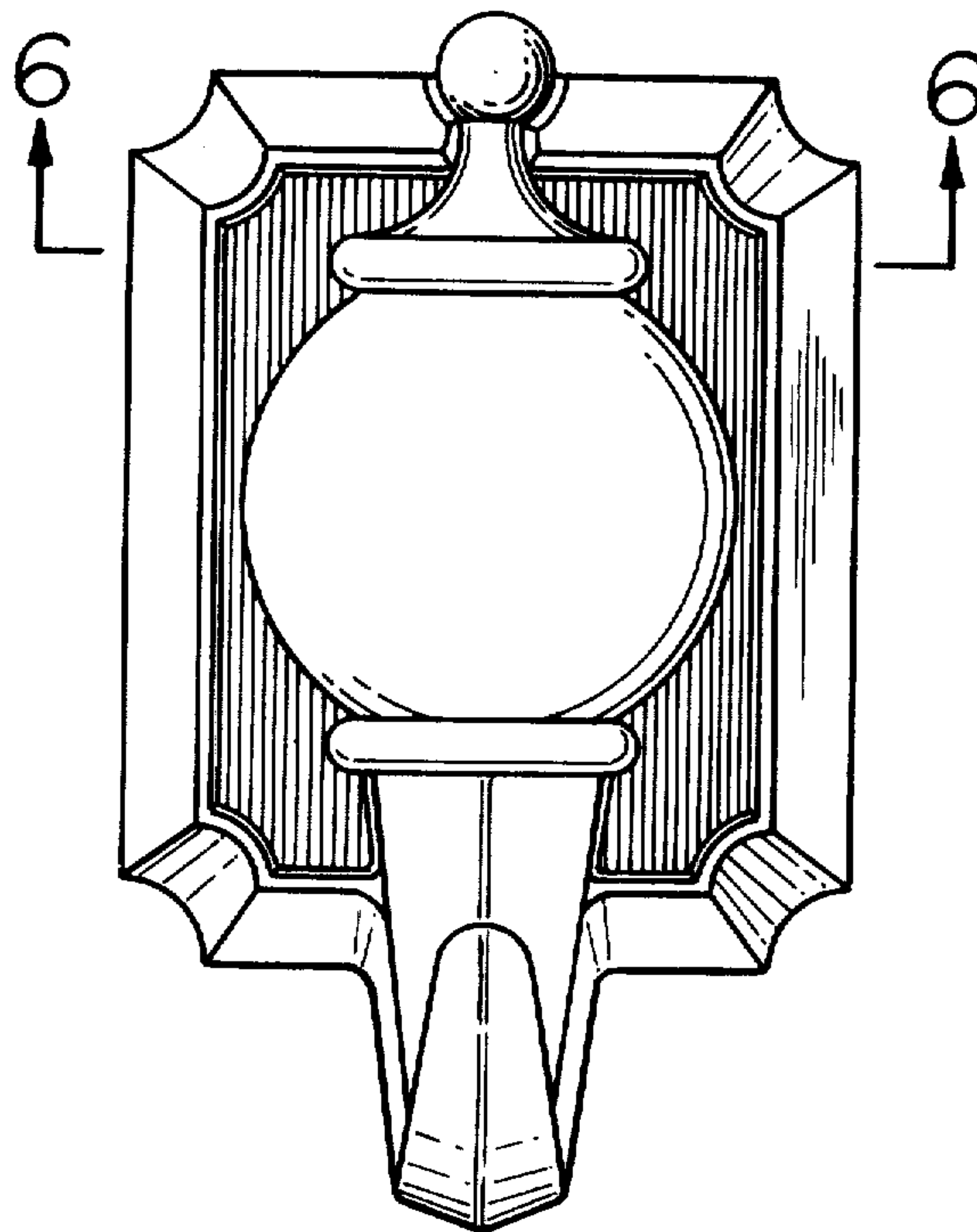
[58] Field of Search 248/205 A, 216.1, 220.2,
248/309, 304, 301, 302, 339, 497; D6/120, 113;
D8/367, 373

FIG. 1 is a front elevation view showing my design;
FIG. 2 is a rear elevation view thereof;
FIG. 3 is a left side elevation view thereof, the right side elevation view being a mirror image of said left side view;
FIG. 4 is a top plan view thereof;
FIG. 5 is a bottom plan view thereof; and
FIG. 6 is a cross sectional view thereof taken in the direction indicated by the cutting plane 6—6 in FIG. 1; and drawn to a somewhat larger scale.

[56] References Cited

U.S. PATENT DOCUMENTS

D. 250,991 2/1979 Chasen D8/367



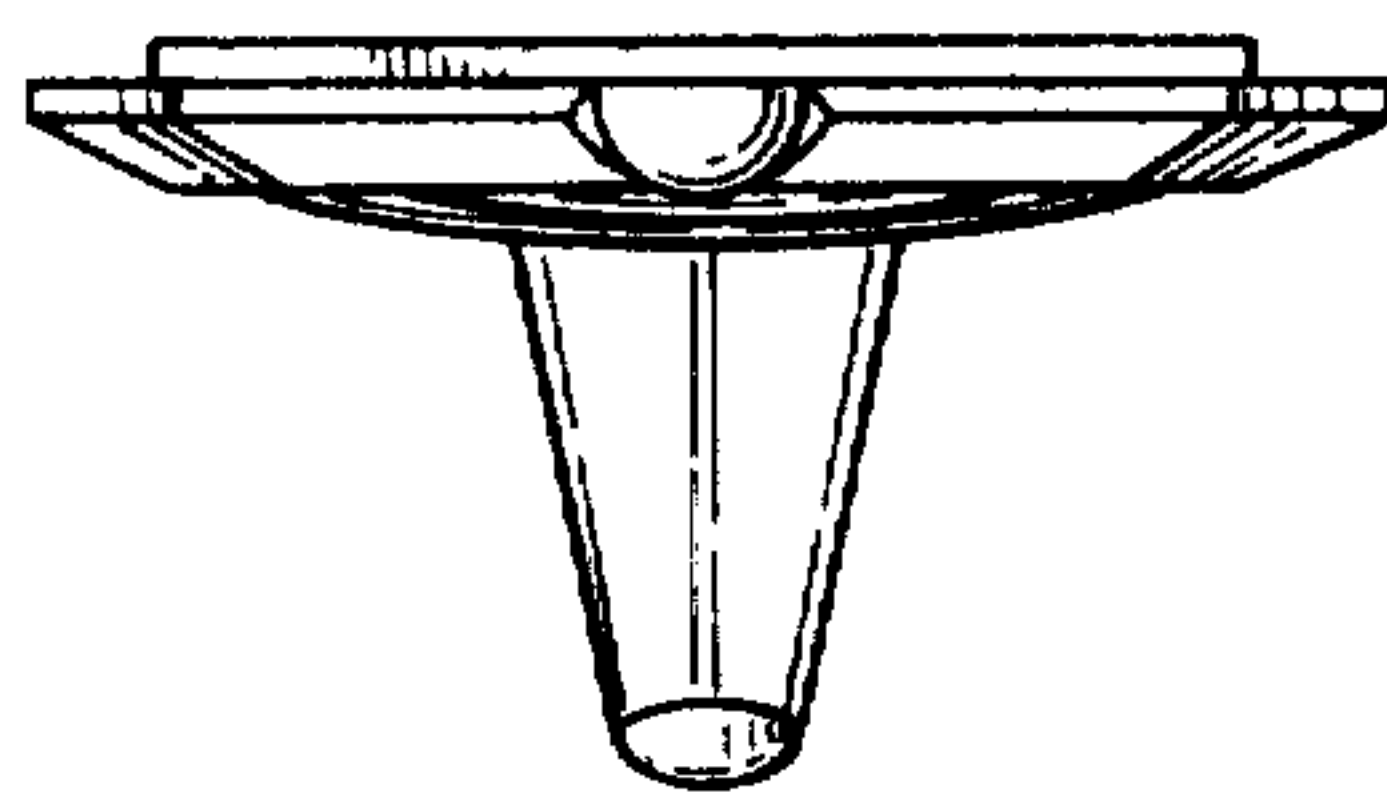


FIG. 4

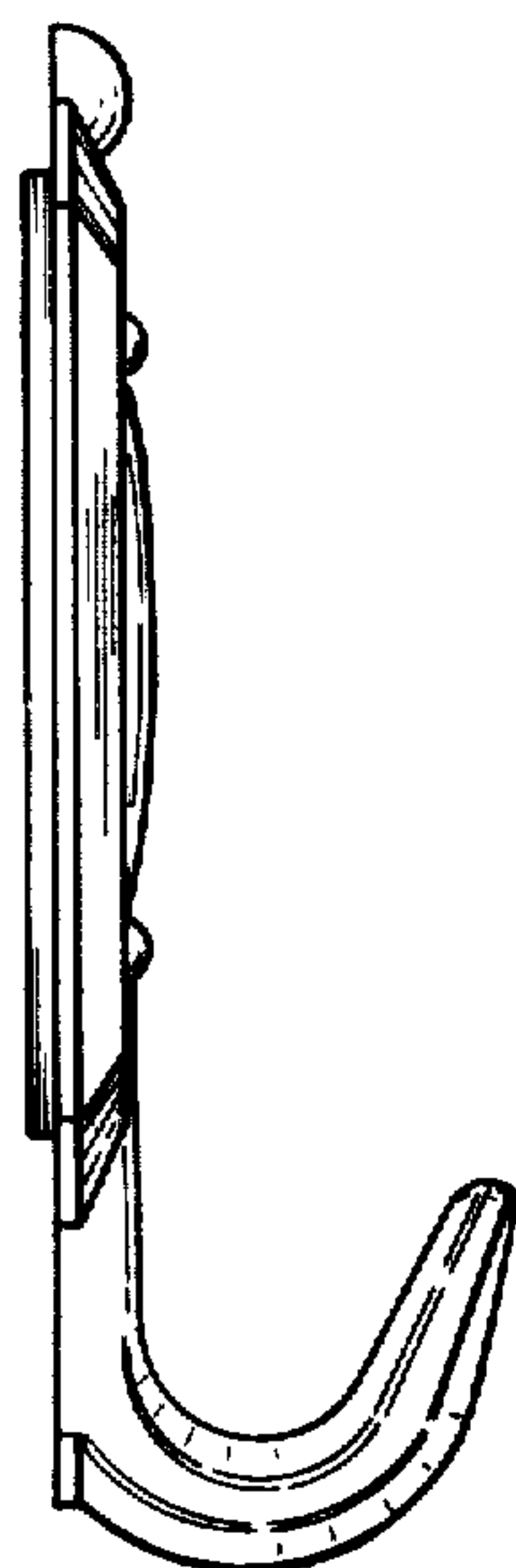


FIG. 3

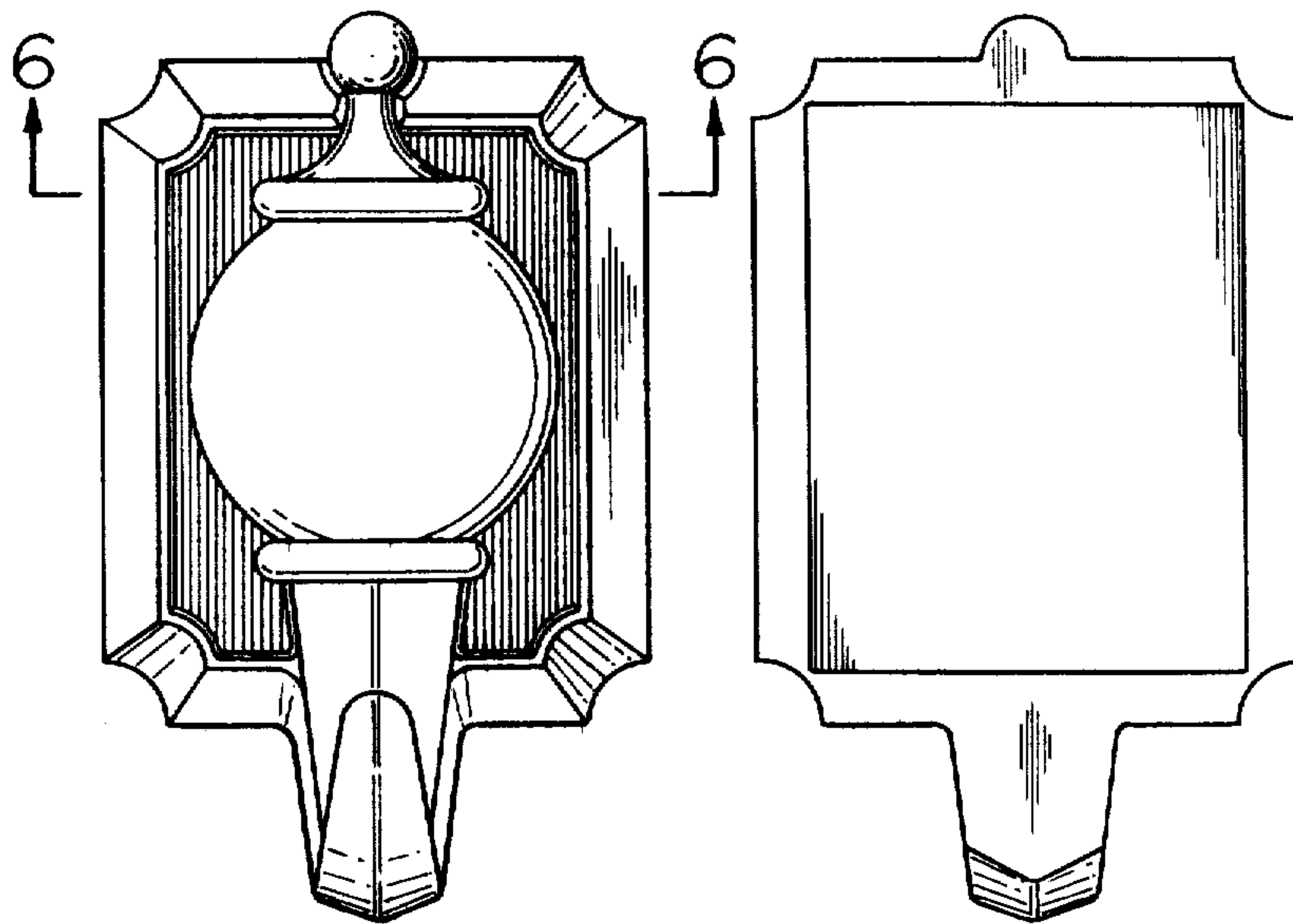


FIG. 1

FIG. 2

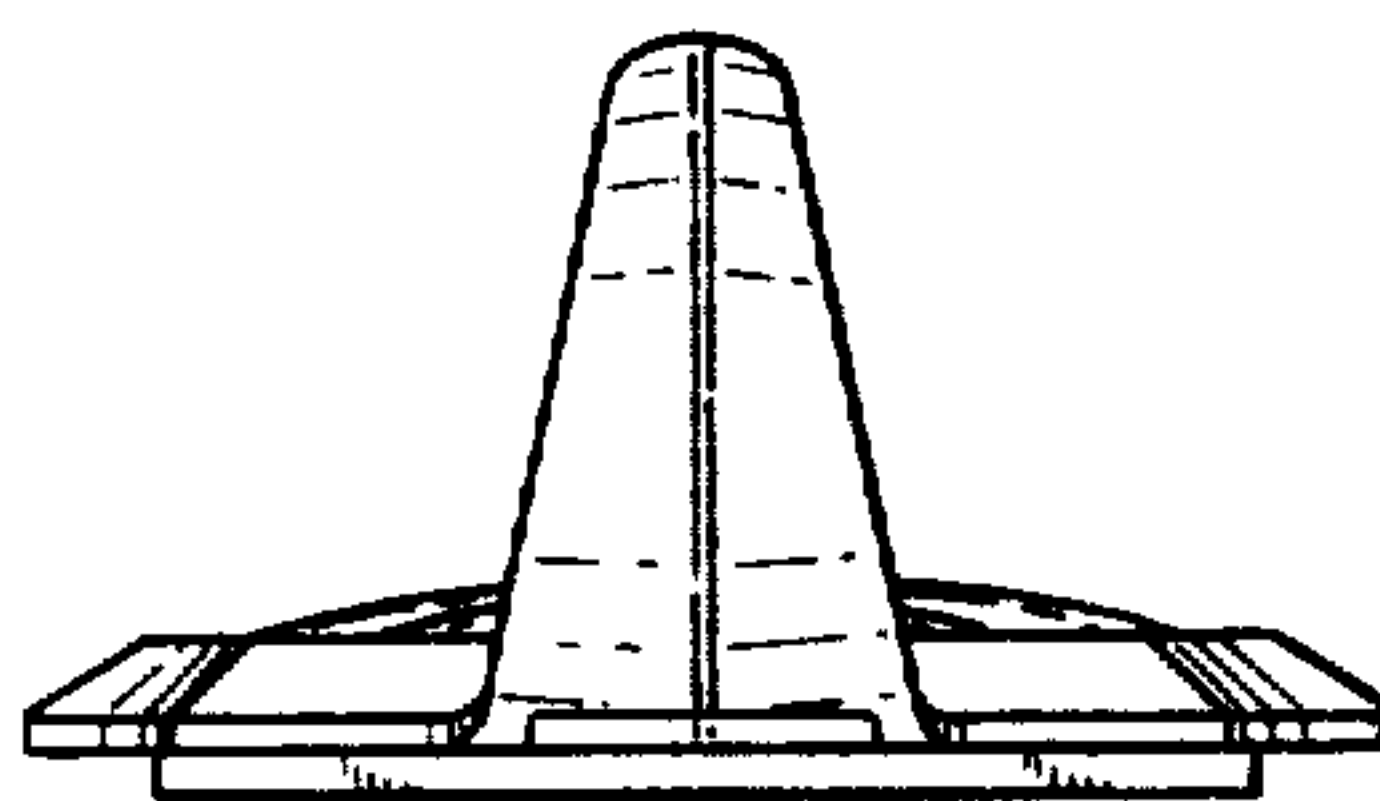


FIG. 5



FIG. 6