

[54] COLLAR SUPPORTING BRACKET FOR ATTACHMENT TO A POT FOR GROWING AFRICAN VIOLETS

[76] Inventor: Florence A. Naylor, 275 N. Kalorama Dr. #501, Ventura, Calif. 93001

[\*\*] Term: 14 Years

[21] Appl. No.: 150,345

[22] Filed: May 16, 1980

[51] Int. Cl. .... D8-99

[52] U.S. Cl. .... D8/1; D8/354; D8/371

[58] Field of Search ..... 47/33, 66, 39, 41 R, 47/41 G, 41.55, 41.12, 41.13, 47; D14/59, 60, 65; D8/354, 1, 371, 366; D19/65; 248/71, 301, 73, 240, 340, 215; 24/73.58

[56] References Cited

U.S. PATENT DOCUMENTS

D. 250,189 11/1978 Hansen ..... D14/59
D. 256,258 8/1980 Varrin ..... D19/65 X
2,672,314 3/1954 Mitchell ..... 248/301

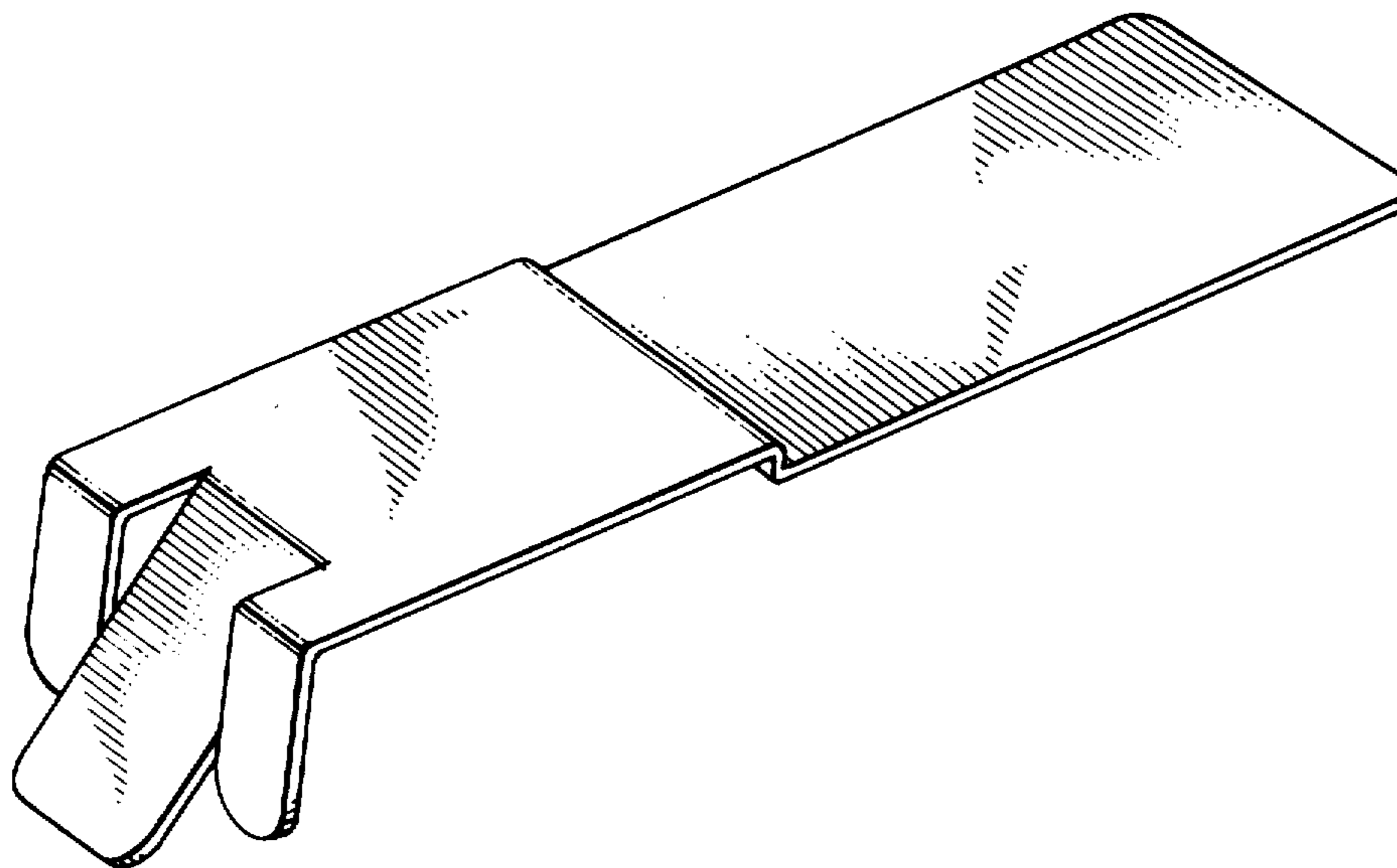
Primary Examiner—A. Hugo Word
Attorney, Agent, or Firm—Robert M. McManigal

[57] CLAIM

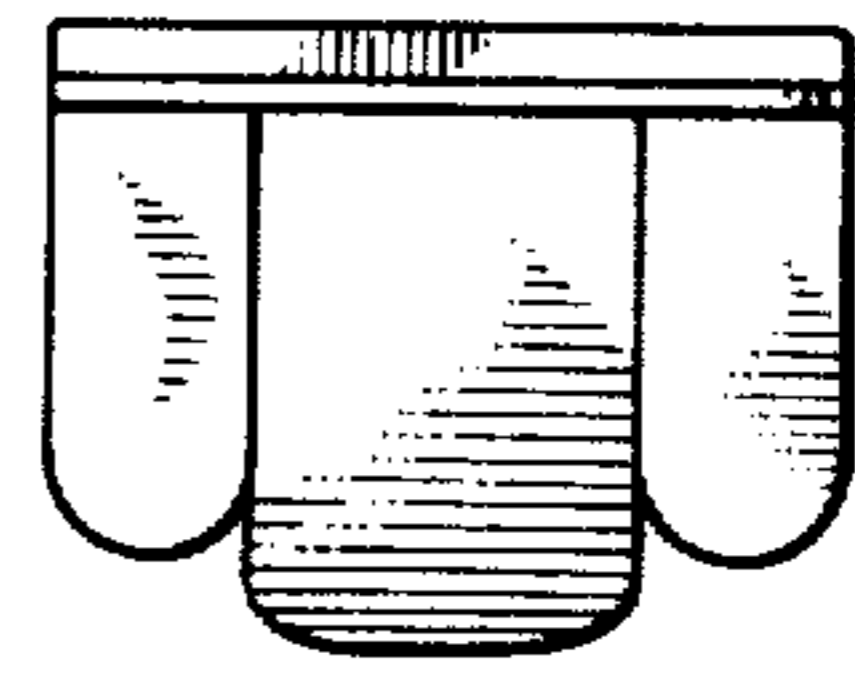
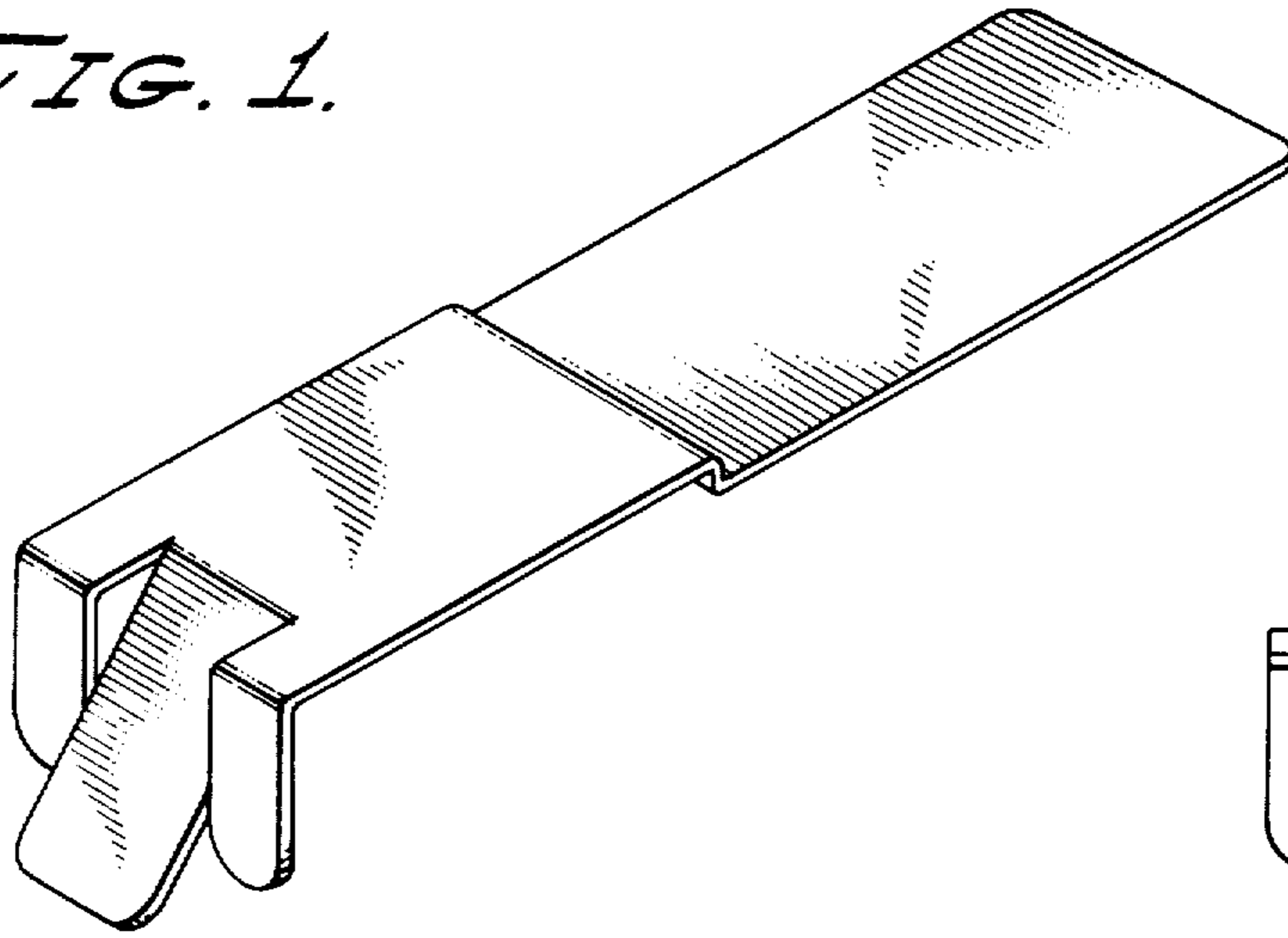
The ornamental design for a collar supporting bracket for attachment to a pot for growing African Violets, as shown.

DESCRIPTION

FIG. 1 is a perspective view showing my new design for a collar supporting bracket for attachment to a pot for growing African Violets;
FIG. 2 is a top plan view of the same;
FIG. 3 is a bottom plan view;
FIG. 4 is a side elevational view as seen from the left, in FIG. 1; and
FIG. 5 is an end elevational view as seen from the left in FIG. 4.

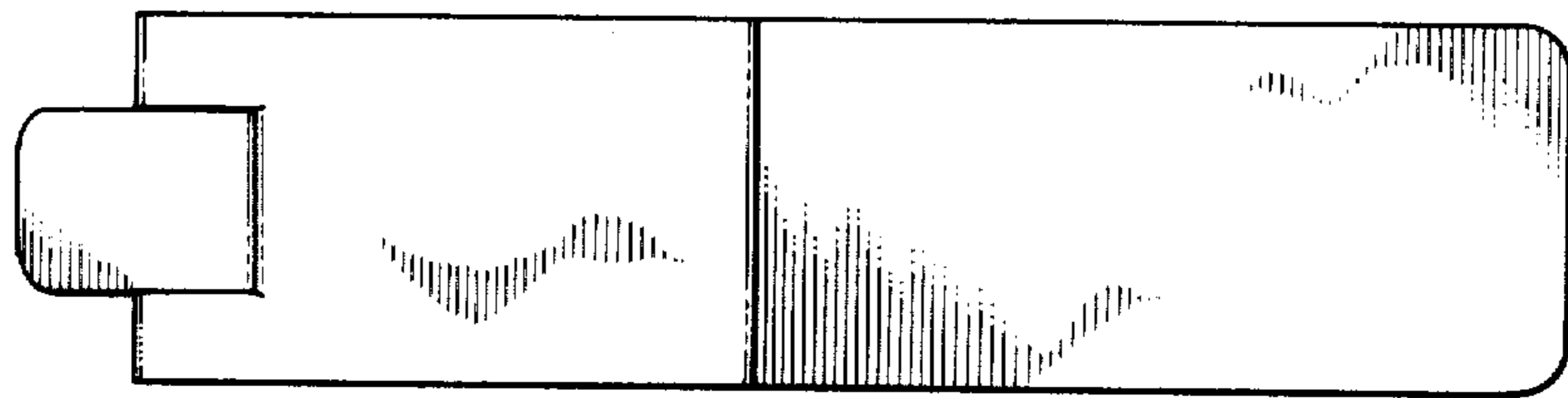


*FIG. 1.*

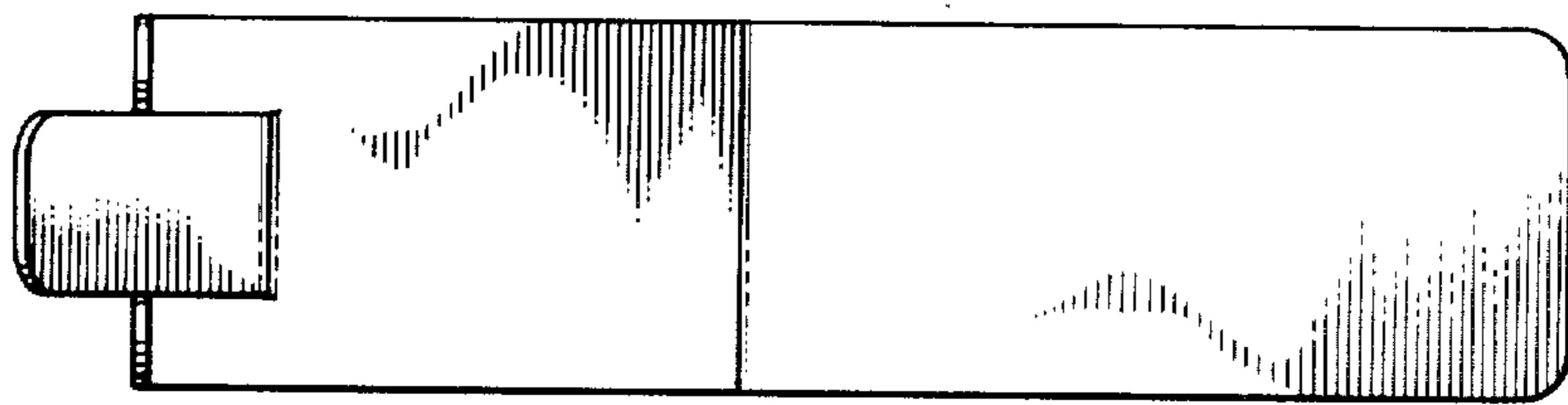


*FIG. 5.*

*FIG. 2.*



*FIG. 3.*



*FIG. 4.*

