

[54] DISH

[56]

References Cited

U.S. PATENT DOCUMENTS

[75] Inventor: John M. Wathen, Jr., Chester, N.J.

D. 192,485	3/1962	Eicholtz	.....	D9/429
D. 193,585	9/1962	Eicholtz	.....	D9/429
D. 197,310	1/1964	Butzko	.....	D9/429
D. 221,838	9/1971	Fraser	.....	D9/428
3,545,645	12/1970	Smith	.....	D9/429

[73] Assignee: American Can Company, Greenwich, Conn.

Primary Examiner—Robert C. Spangler  
Attorney, Agent, or Firm—Robert P. Auber; George P. Ziehmer; Harry Hargis, III

[\*\*] Term: 14 Years

[21] Appl. No.: 74,675

[57] CLAIM

The ornamental design for a dish, substantially as shown and described.

[22] Filed: Sep. 12, 1979

DESCRIPTION

[51] Int. Cl. .... D7-01

[52] U.S. Cl. .... D7/28; D9/428

[58] Field of Search .... D9/424-429,  
D9/349-355, 17; D7/28, 1; 229/1.5 B, 2.5 R,  
4.5 R

FIG. 1 is a top plan view of a dish embodying my new design;

FIG. 2 is a side elevational view; and

FIG. 3 is an enlarged fragmentary view taken on the line 3-3 of FIG. 2.

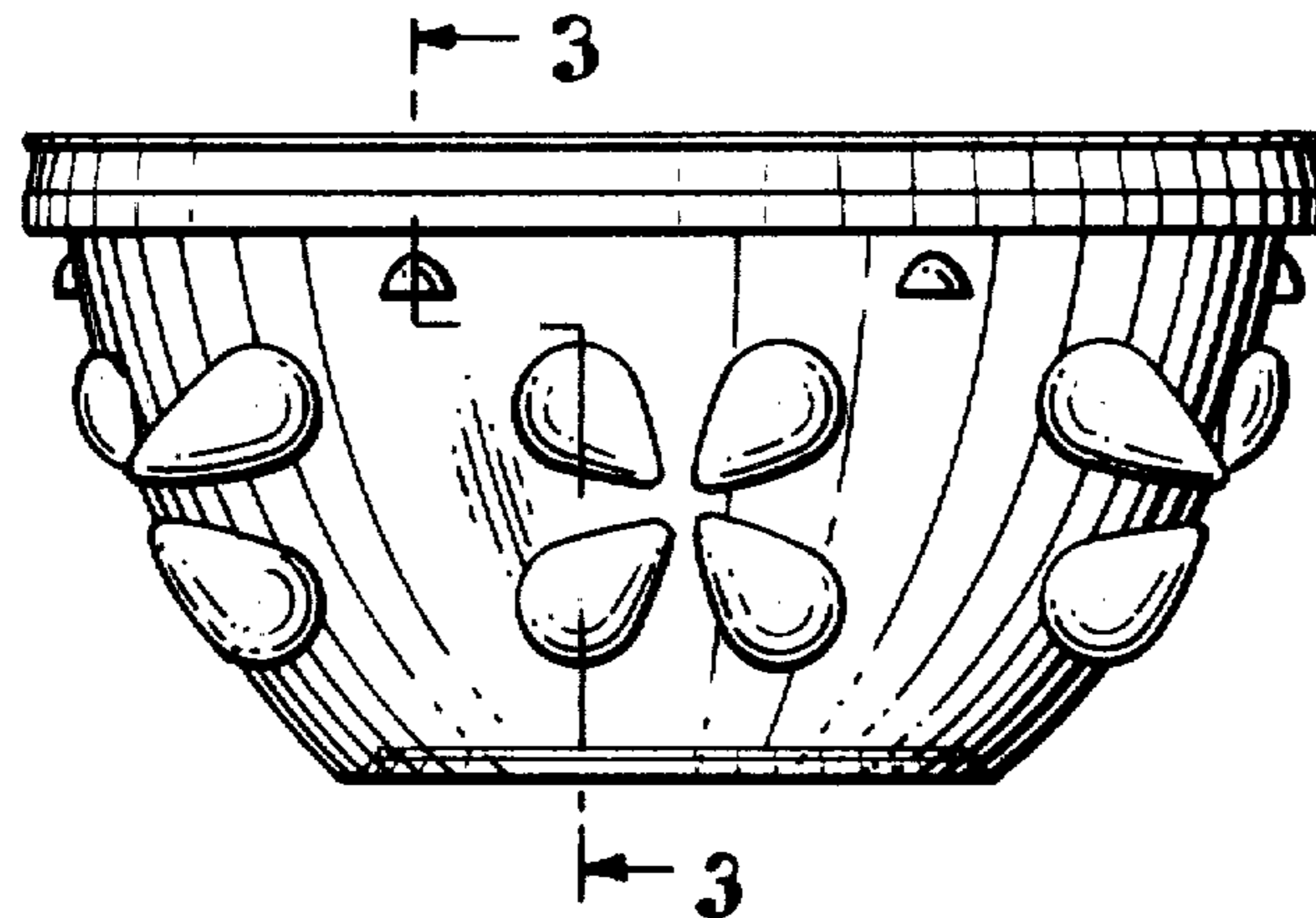


FIG. 1

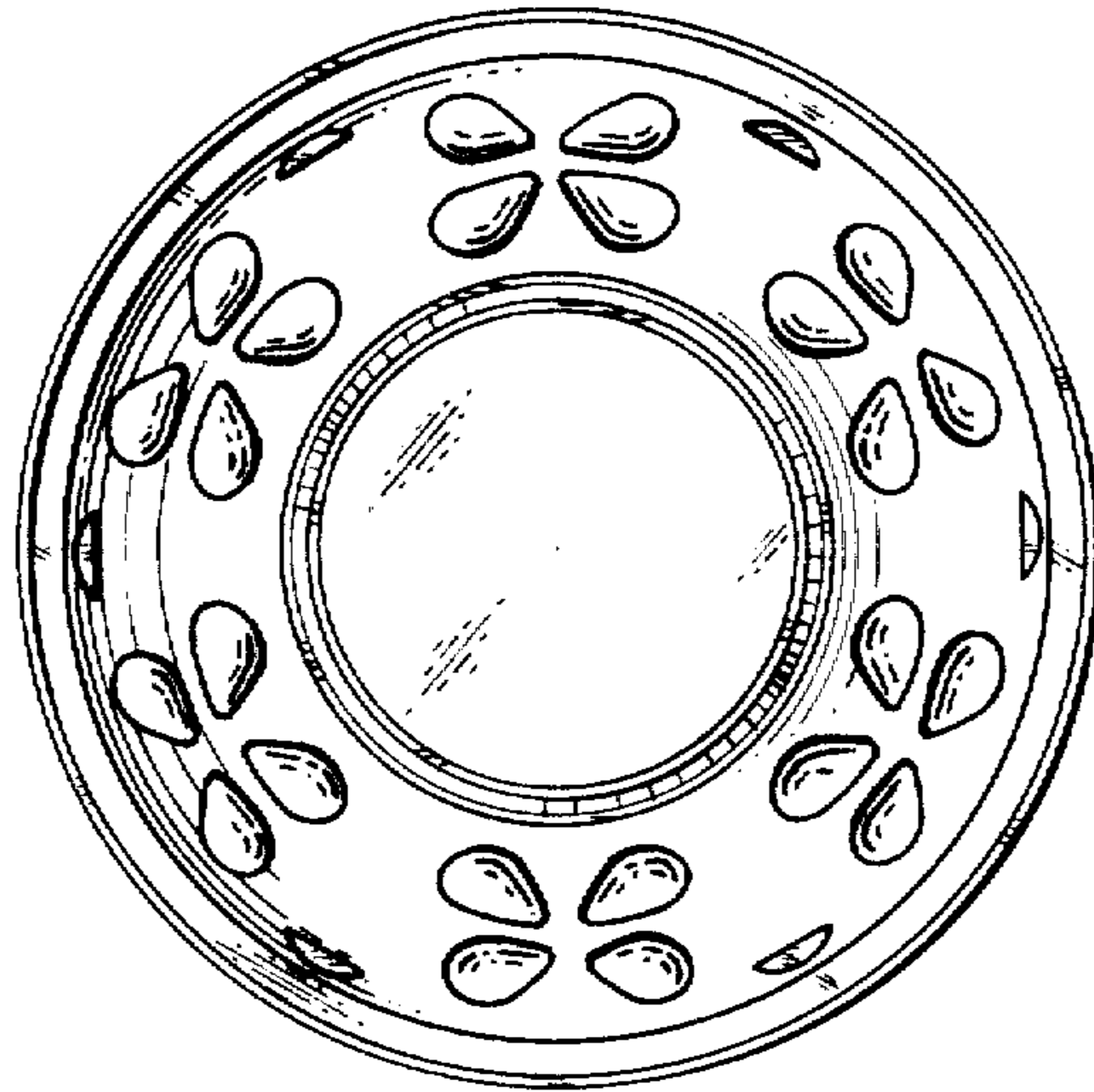


FIG. 2

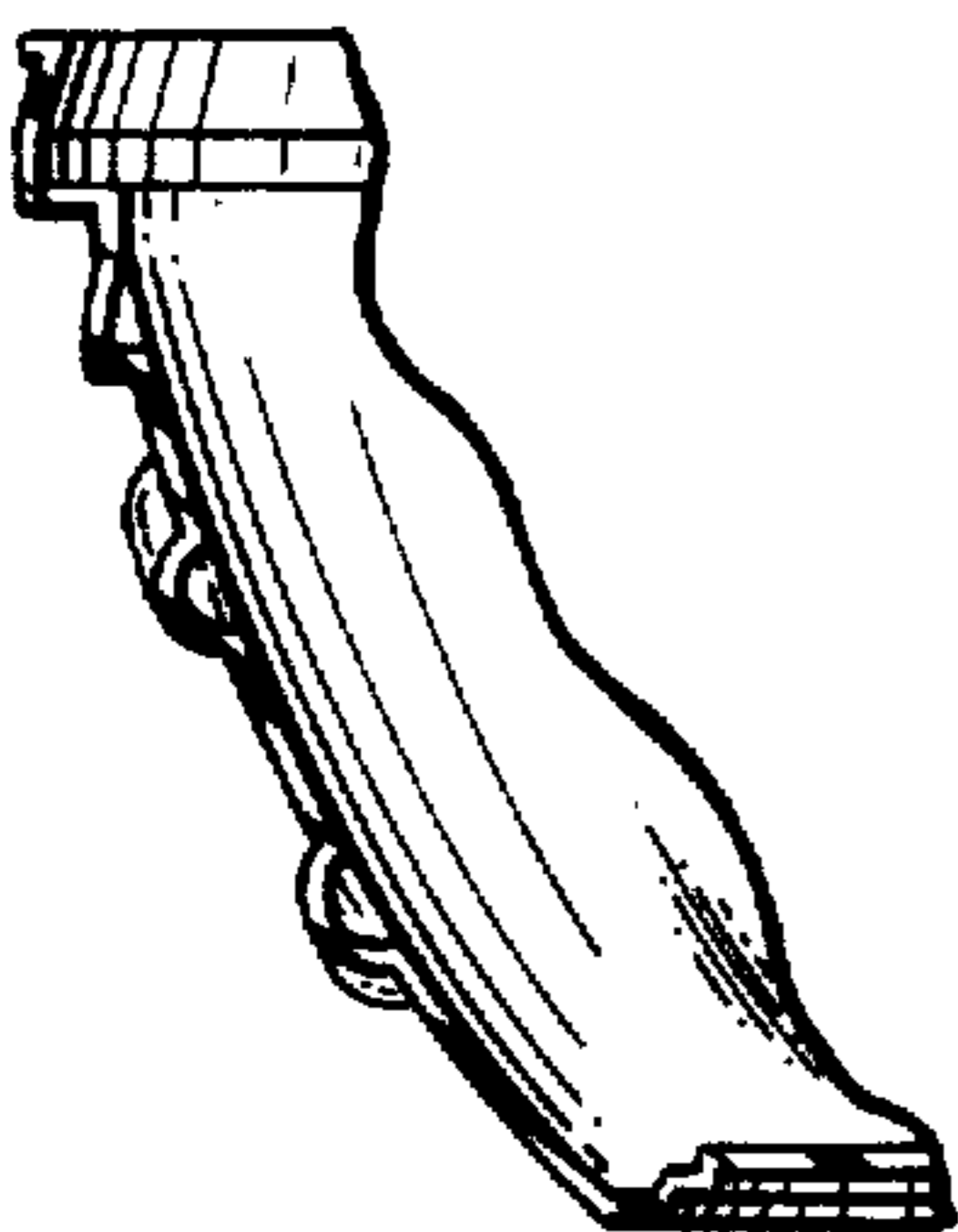
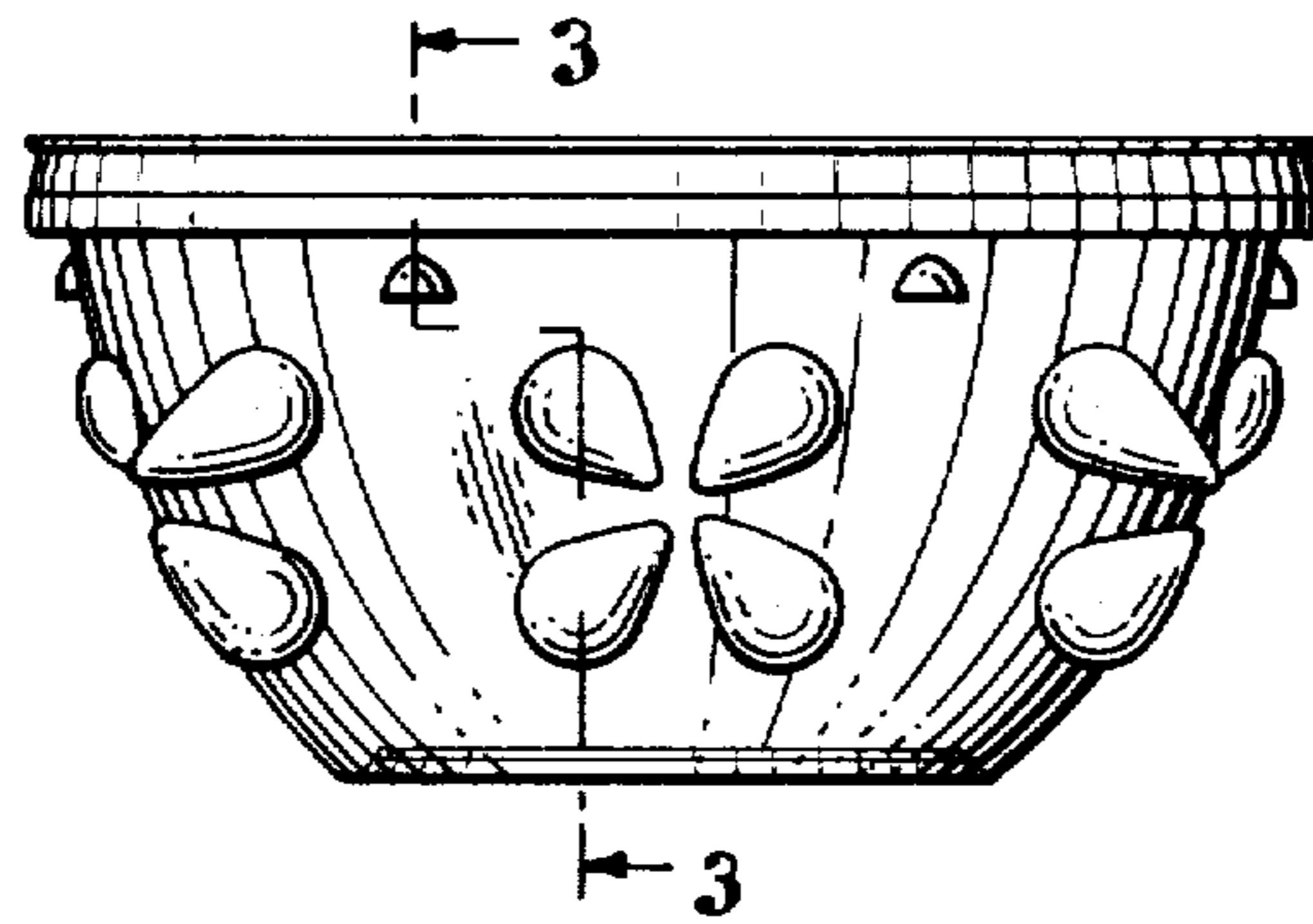


FIG. 3