

[54] **SUPPORT FOR BOOKS AND THE LIKE**

[76] **Inventor:** **Adrian S. Vega**, Sol St. No. 82,
Guayama, P.R.

[**] **Term:** **14 Years**

[21] **Appl. No.:** **101,530**

[22] **Filed:** **Dec. 7, 1979**

[51] **Int. Cl.** **D6—03**

[52] **U.S. Cl.** **D6/180; D6/18;**
D6/138; D6/155; D6/178; D6/184

[58] **Field of Search** **D6/85, 138, 180, 181,**
D6/184, 185, 172, 178, 156, 177, 18, 155;
248/441 R, 441 A

[56] **References Cited**

U.S. PATENT DOCUMENTS

D. 226,999 5/1973 Sessen D6/138
D. 245,464 8/1977 Reiss D6/18 X
3,247,811 4/1966 Bauder D6/178 X
3,476,348 11/1969 Rustad 248/441 A

Primary Examiner—Joel Stearman
Assistant Examiner—Carmen H. Vales
Attorney, Agent, or Firm—Scrivener, Clarke, Scrivener
and Johnson

[57] **CLAIM**

The ornamental design for a support for books and the like, as shown and described.

DESCRIPTION

FIG. 1 is a front perspective view of a support for books and the like showing my new design; FIG. 2 is a side elevational view thereof, the side opposite being substantially a mirror image thereof; and FIG. 3 is a front elevational view thereof.

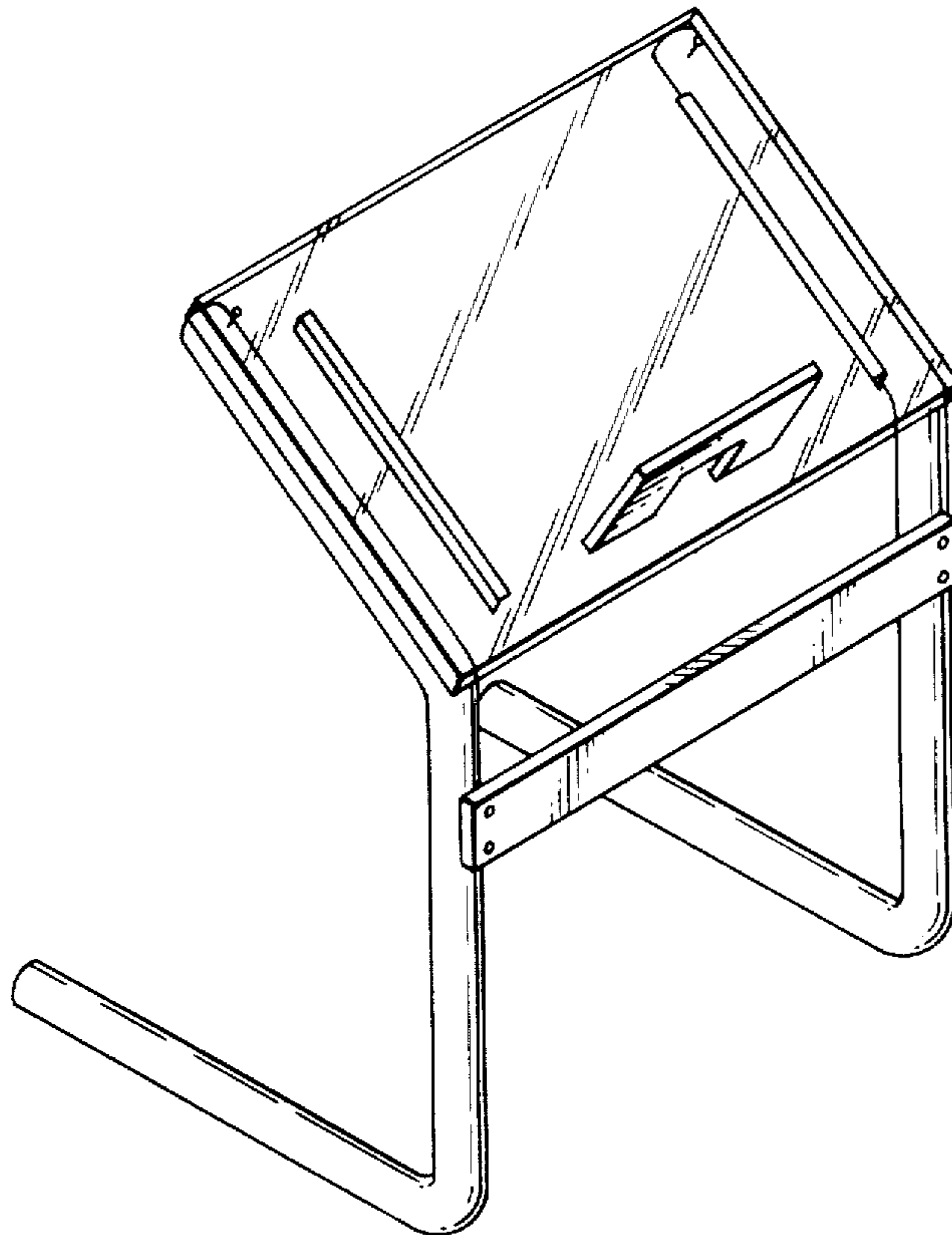


FIG. 1.

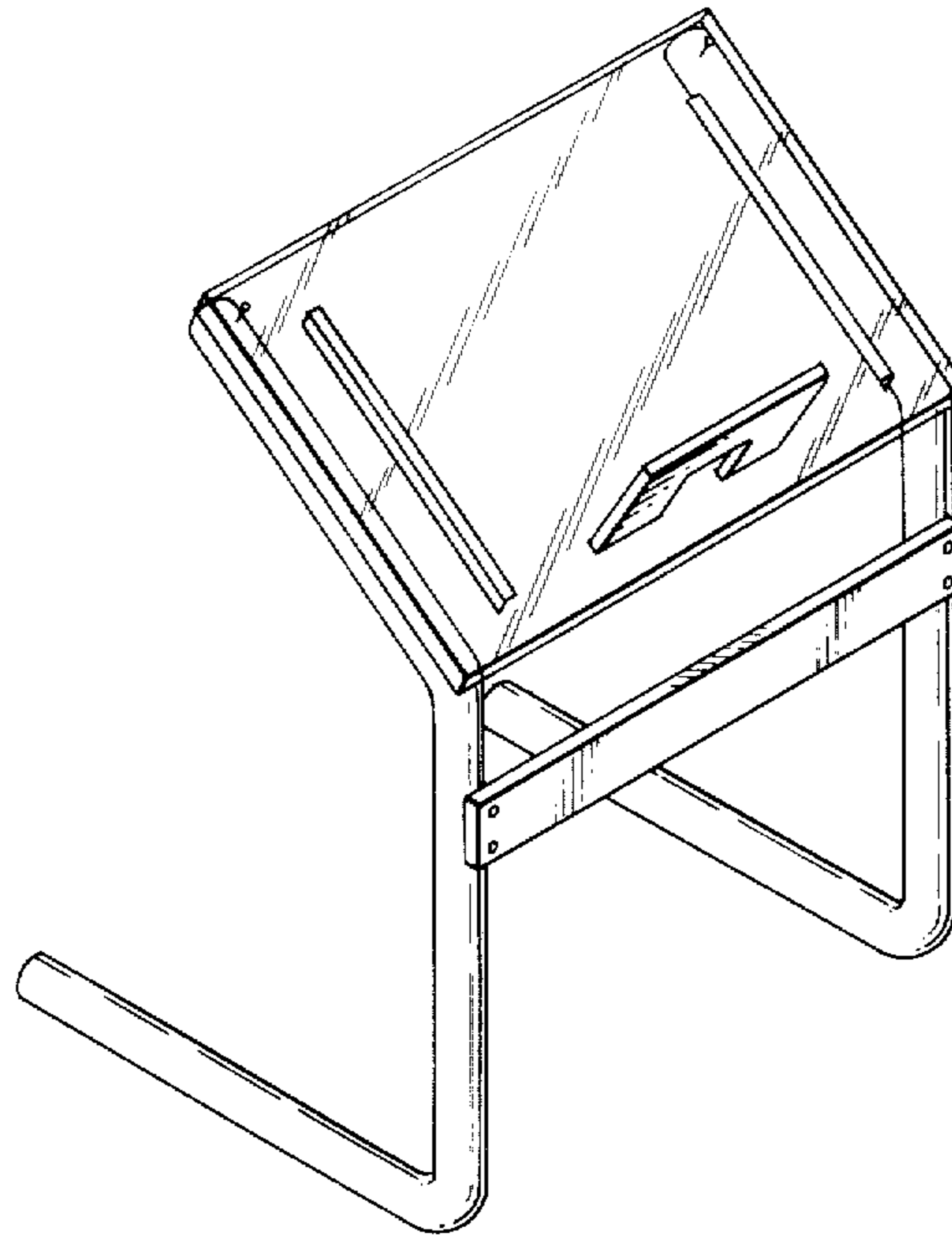


FIG. 2.

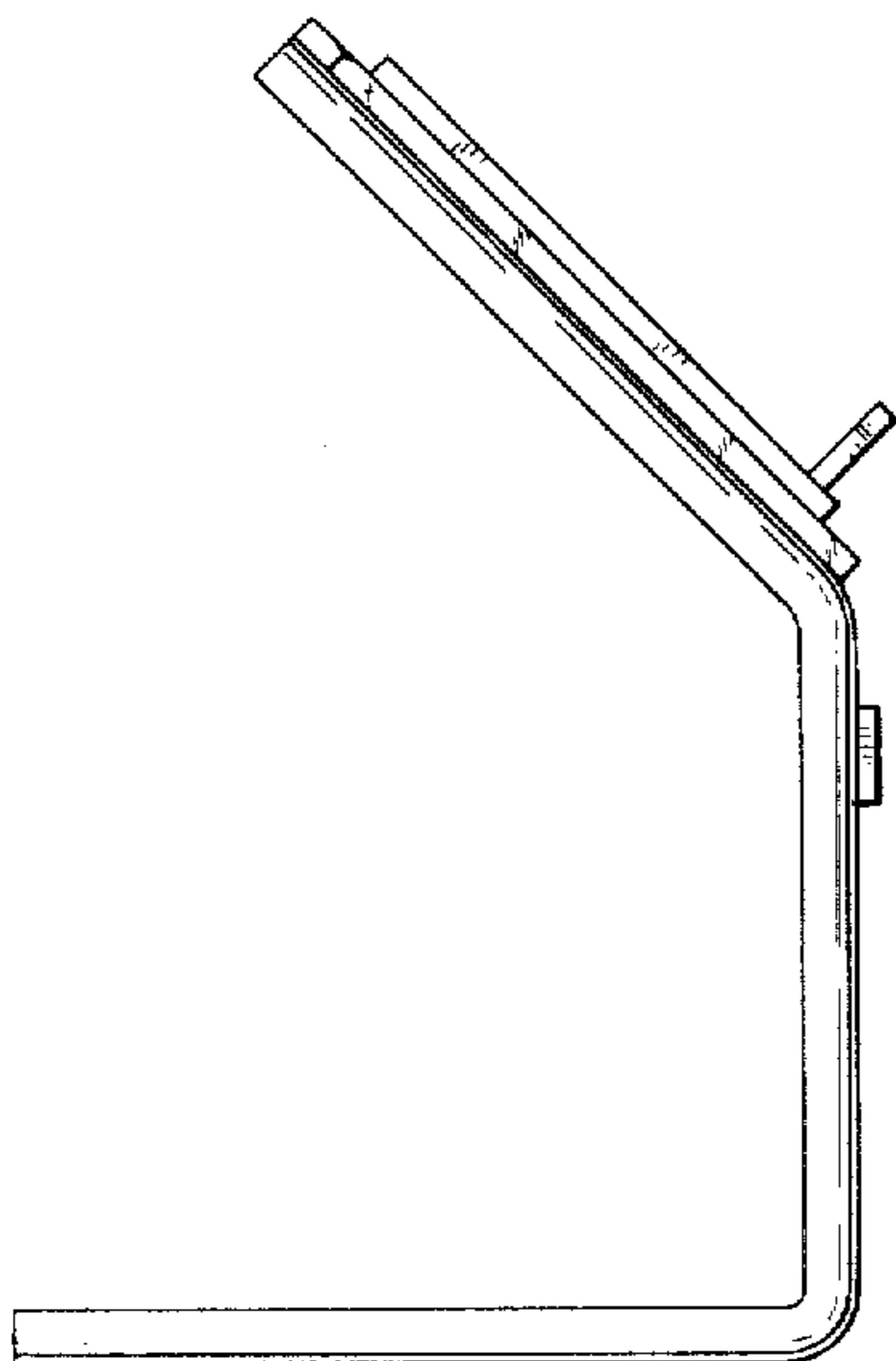


FIG. 3.

