

[54] PAPER TOWEL HOLDER

[76] Inventor: John Arnott, 36 Wellington St. E., Toronto, Ontario, Canada, M5E 1C7

[**] Term: 14 Years

[21] Appl. No.: 157,604

[22] Filed: Jun. 9, 1980

[30] Foreign Application Priority Data

Dec. 14, 1979 [CA] Canada 1412797

[51] Int. Cl. D6-04

[52] U.S. Cl. D6/96

[58] Field of Search D6/96-98; 242/55.2, 55.3, 55.42, 55.54, 55.55

[56] References Cited

U.S. PATENT DOCUMENTS

D. 161,199	12/1950	Perelman	D6/97
3,038,676	6/1962	Mayer	242/55.2
3,088,686	5/1963	Curry	242/55.2
3,116,030	12/1963	Leotta	242/55.2

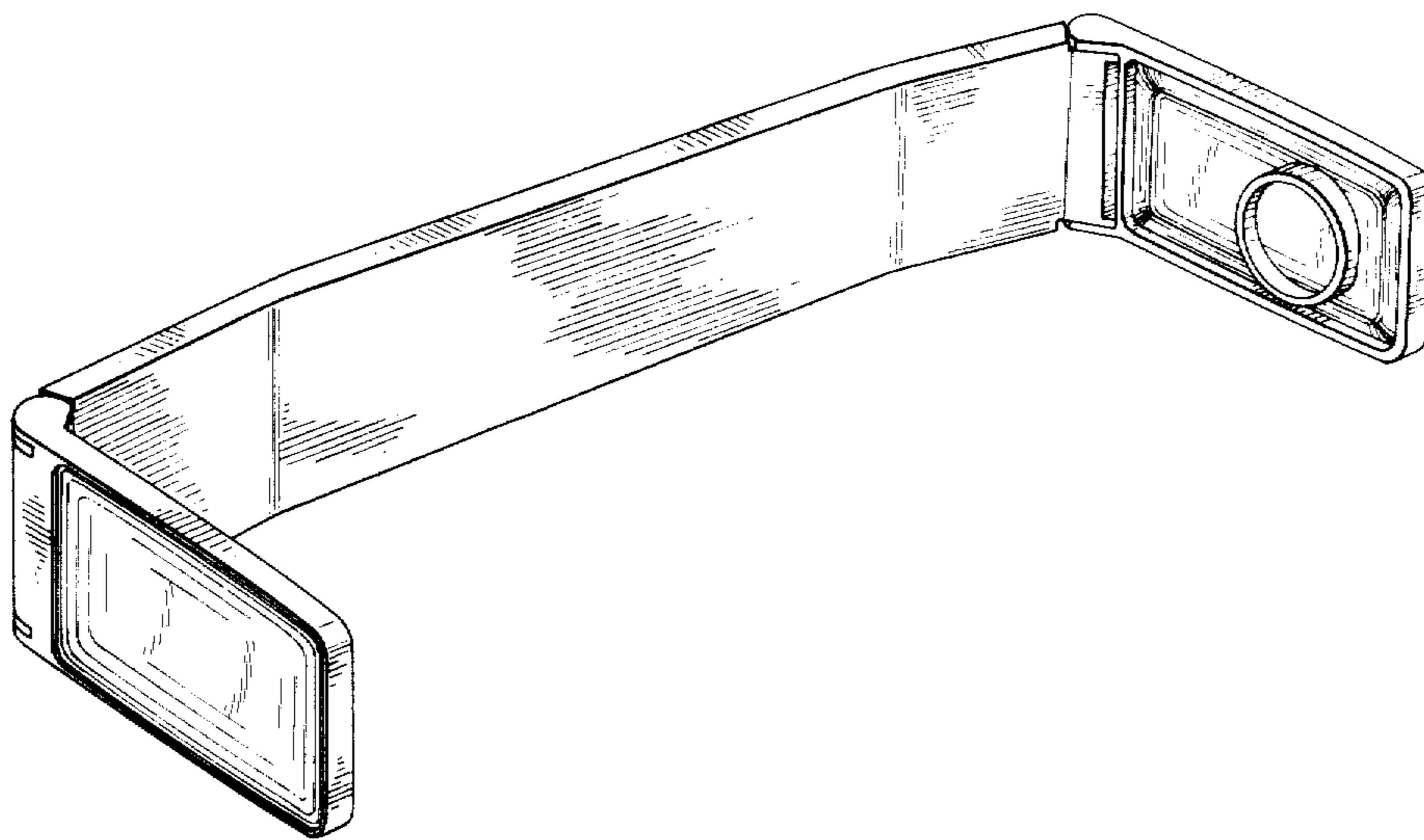
Primary Examiner—B. J. Bullock

[57] CLAIM

The ornamental design for a paper towel holder, as shown.

DESCRIPTION

FIG. 1 is a front perspective view of a paper towel holder showing my new design; FIG. 2 is a side elevational view taken from the left side of FIG. 1, the side opposite being a mirror image thereof; FIG. 3 is a rear perspective view thereof.



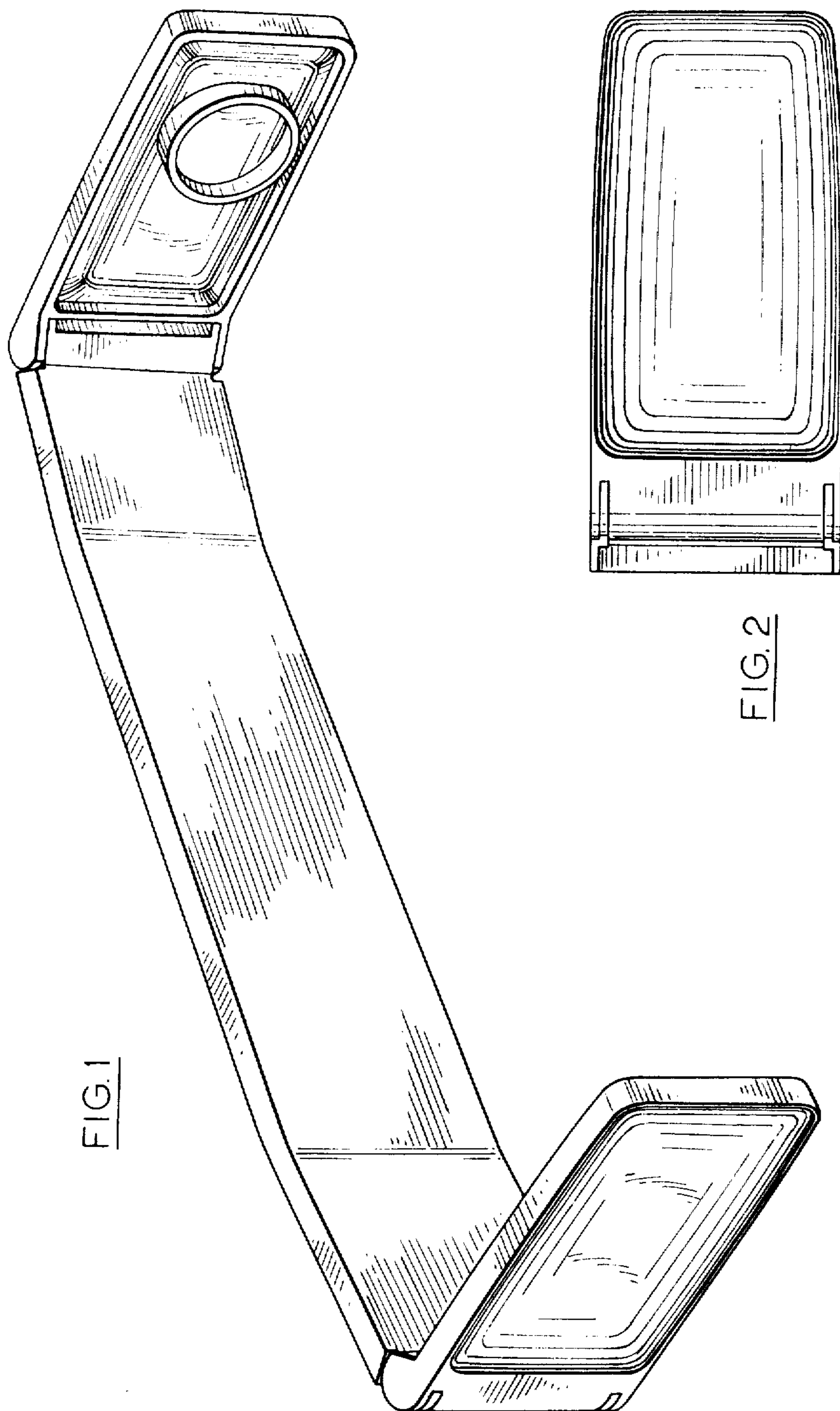


FIG. 1

FIG. 2

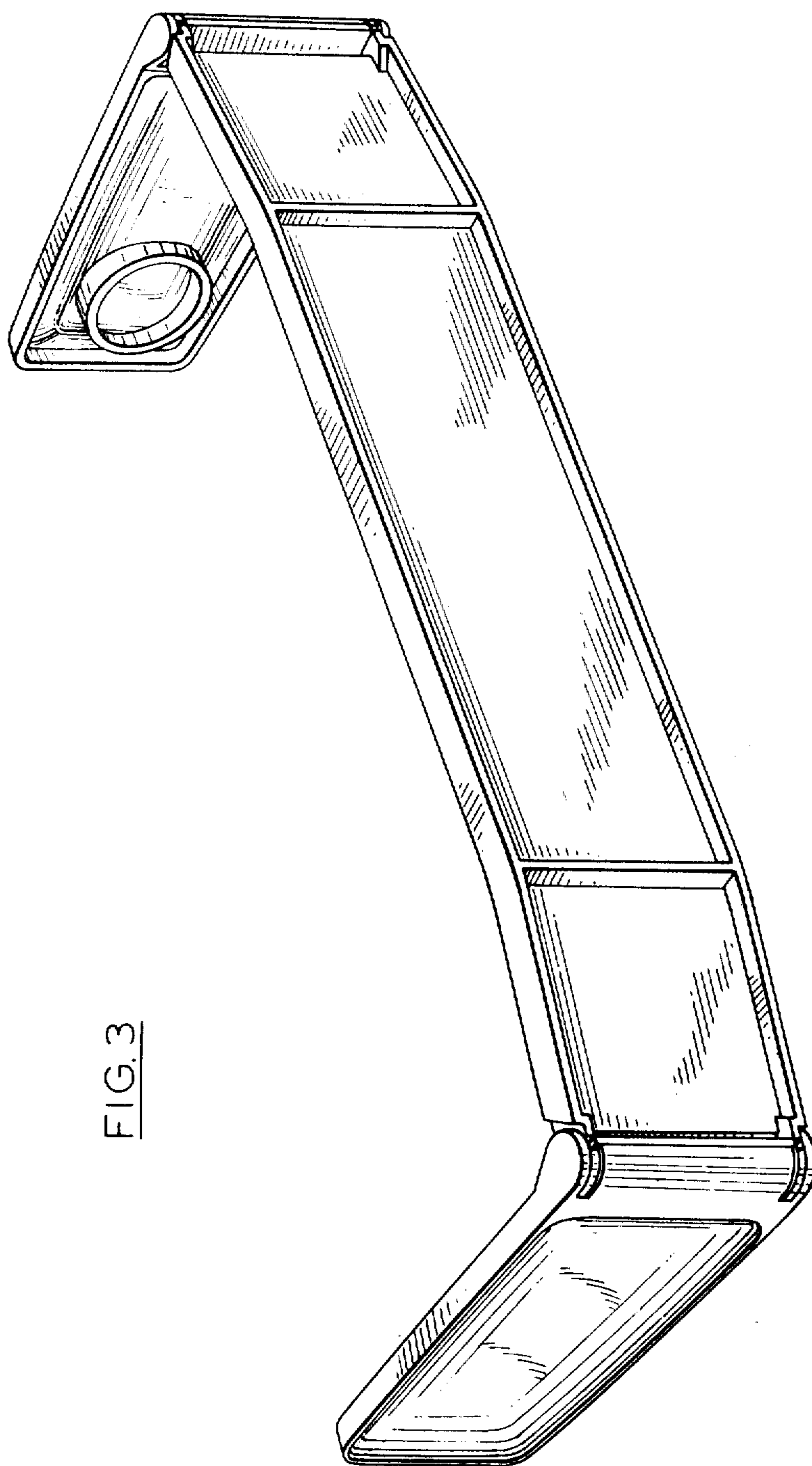


FIG. 3