

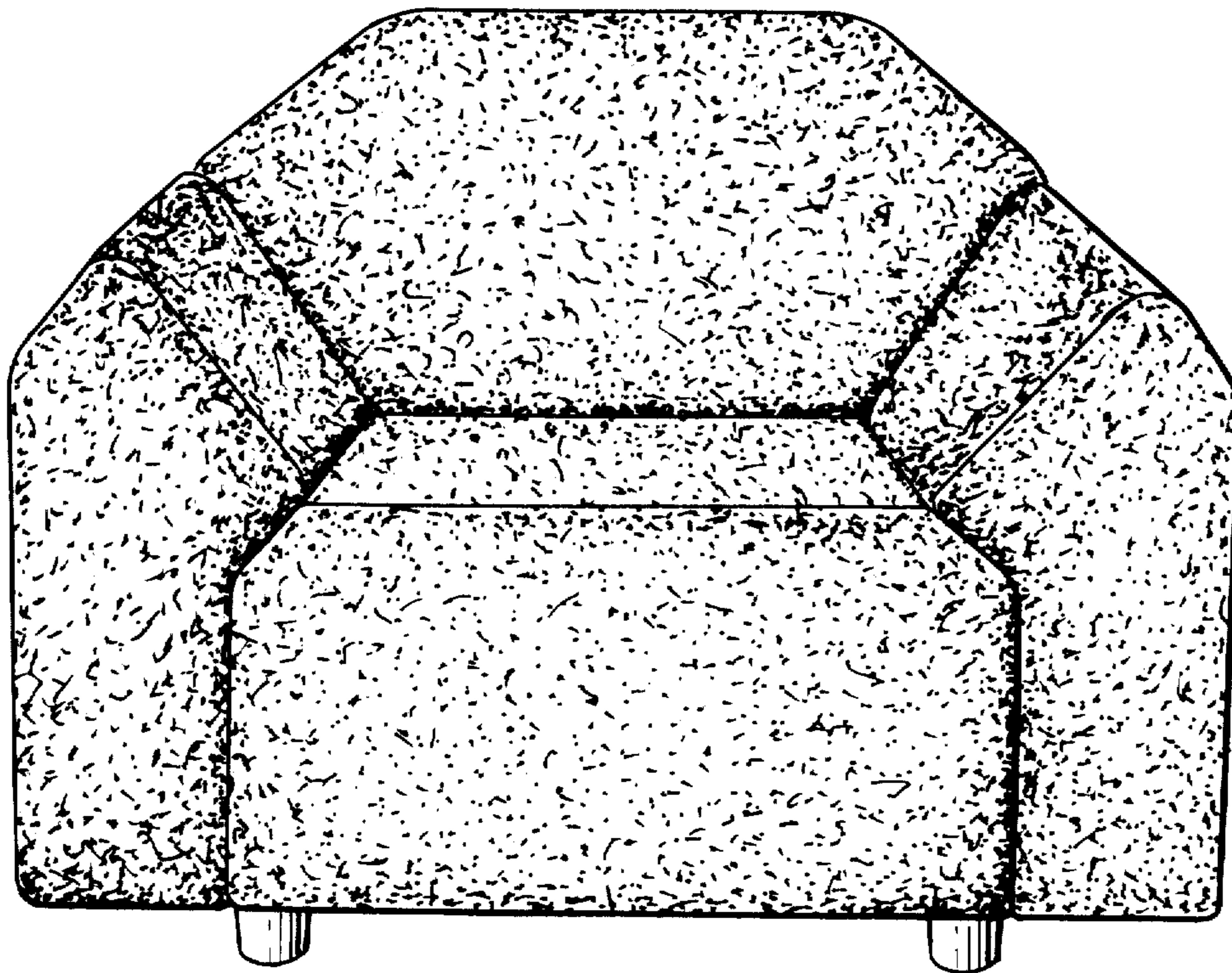
[54] **CHAIR**  
[75] **Inventor:** Roger L. Webb, London, England  
[73] **Assignee:** Antocks Lairn Limited, London, England  
[\*\*] **Term:** 14 Years  
[21] **Appl. No.:** 129,757  
[22] **Filed:** Mar. 12, 1980  
[30] **Foreign Application Priority Data**  
Sep. 14, 1979 [GB] United Kingdom ..... 991575  
[51] **Int. Cl.** ..... D6—01  
[52] **U.S. Cl.** ..... D6/71  
[58] **Field of Search** ..... D6/37-39,  
D6/47-78; 297/440

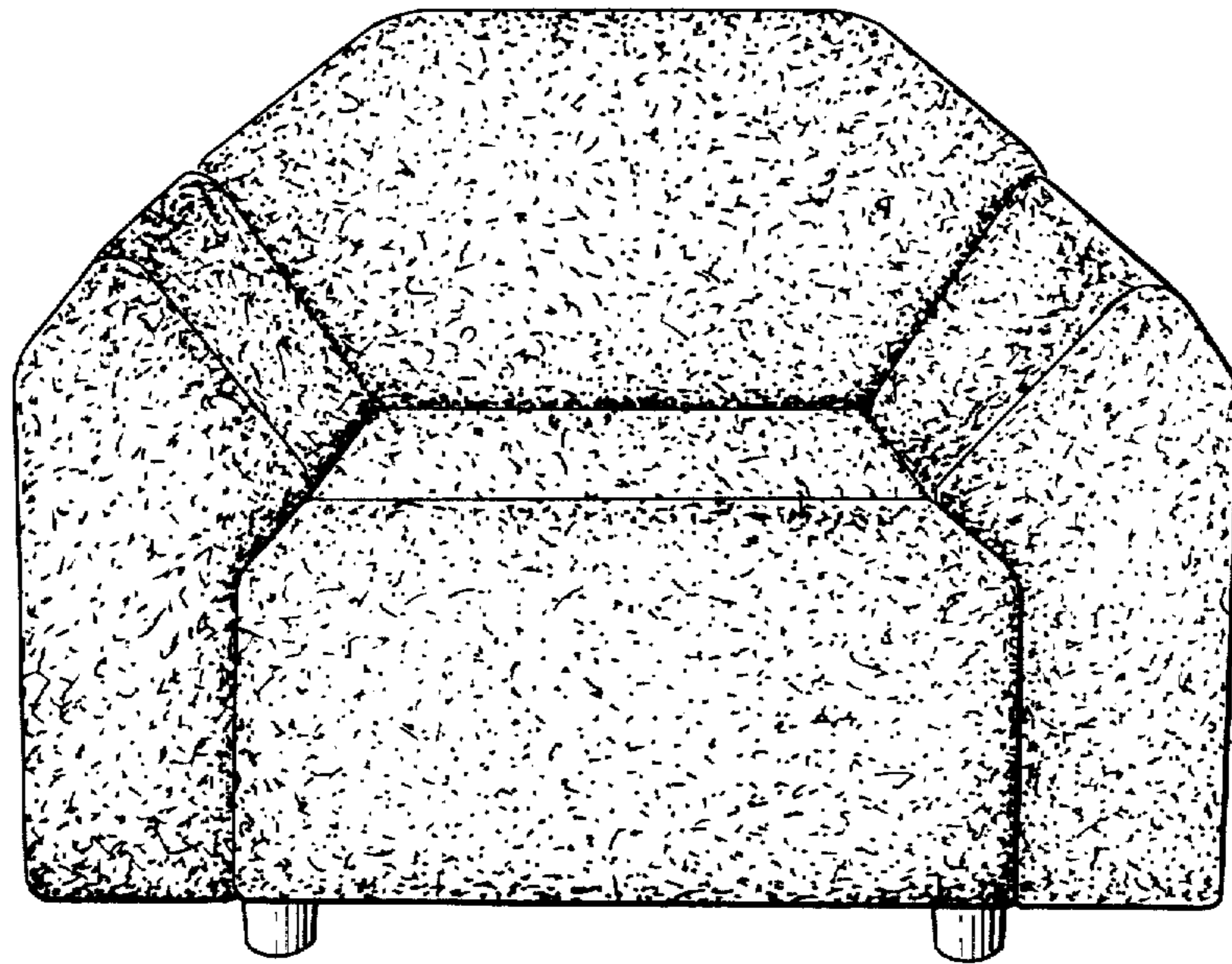
[56] **References Cited**  
**U.S. PATENT DOCUMENTS**  
D. 110,667 7/1938 Bach ..... D6/71  
D. 234,171 1/1975 Long ..... D6/71  
D. 240,181 7/1976 Fister, Jr. .... D6/61  
D. 244,814 6/1977 Schoblom ..... D6/71  
D. 248,129 6/1978 Long ..... D6/37

*Primary Examiner*—Bruce W. Dunkins  
*Attorney, Agent, or Firm*—Cook, Wetzel & Egan, Ltd.

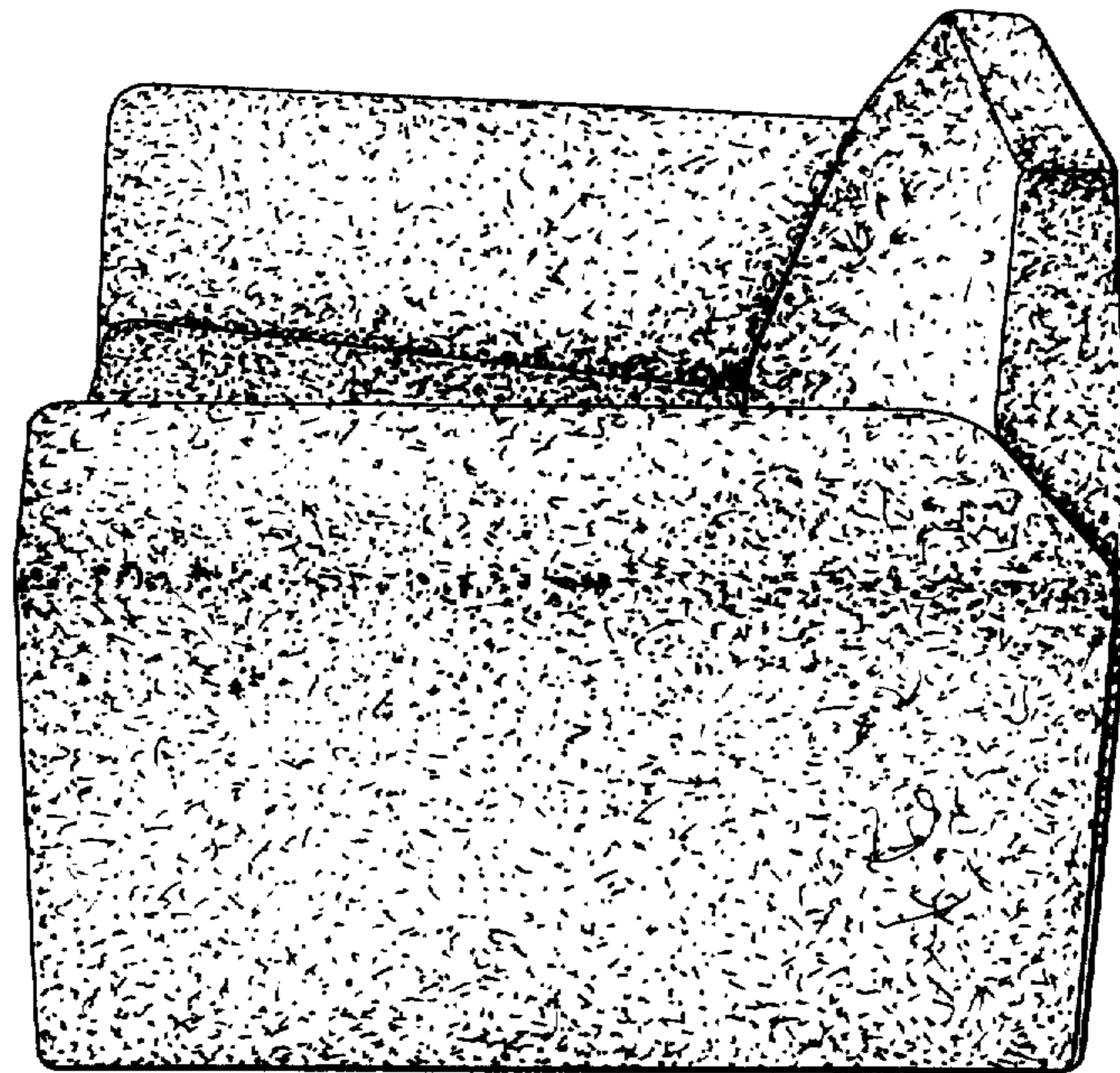
[57] **CLAIM**  
The ornamental design for a chair, substantially as shown and described.

**DESCRIPTION**  
FIG. 1 is a front perspective view of the chair;  
FIG. 2 is a side perspective view of the chair;  
FIG. 3 is a perspective view showing the front and side of the chair;  
FIG. 4 is a perspective view showing the side and rear of the chair.



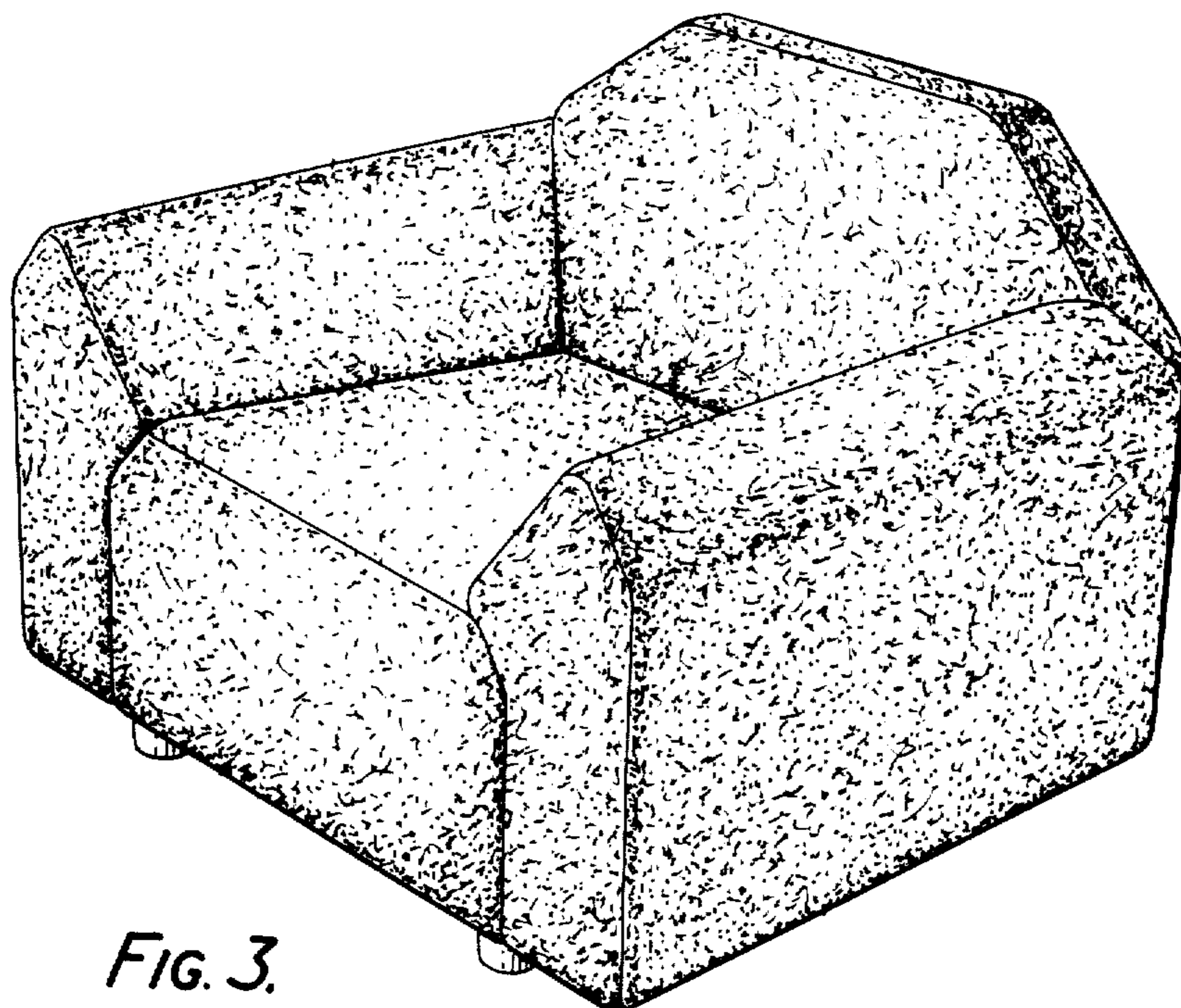


*FIG. 1.*

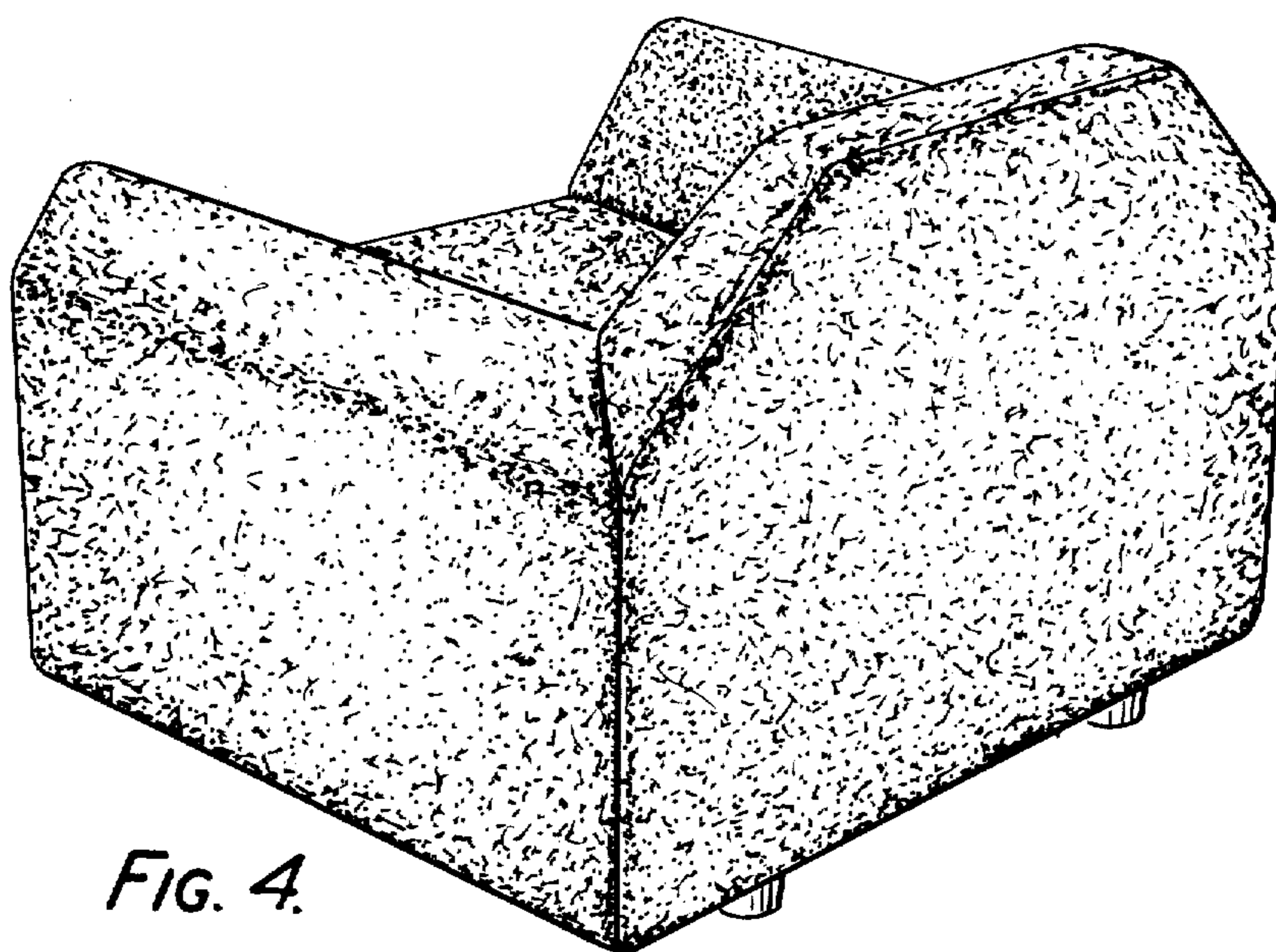


*FIG. 2.*





*FIG. 3.*



*FIG. 4.*