

[54] CARRYING CASE FOR ARTIST'S MATERIALS OR THE LIKE

[76] Inventor: Thomas Koves, 645 N. Cherokee St., Los Angeles, Calif. 90004

[**] Term: 14 Years

[21] Appl. No.: 144,415

[22] Filed: Apr. 28, 1980

Related U.S. Application Data

[63] Continuation-in-part of Ser. No. 76,593, Sep. 18, 1979, Pat. No. Des. 260,324.

[51] Int. Cl. D3-02

[52] U.S. Cl. D3/42; D3/48; D3/77

[58] Field of Search D3/30, 33, 35, 42, 48, D3/50, 53, 76, 77; 206/1.7, 1.8; 190/16; 150/52 B

[56] References Cited

U.S. PATENT DOCUMENTS

D. 135,726	5/1943	Morner	D3/77
D. 224,749	9/1972	Cohen	D3/77
D. 226,637	4/1973	Rauch	D3/48
D. 252,355	7/1979	Uber	D3/48
1,754,663	4/1930	Adams	D3/77
4,061,224	12/1977	Fuhri	206/1.7

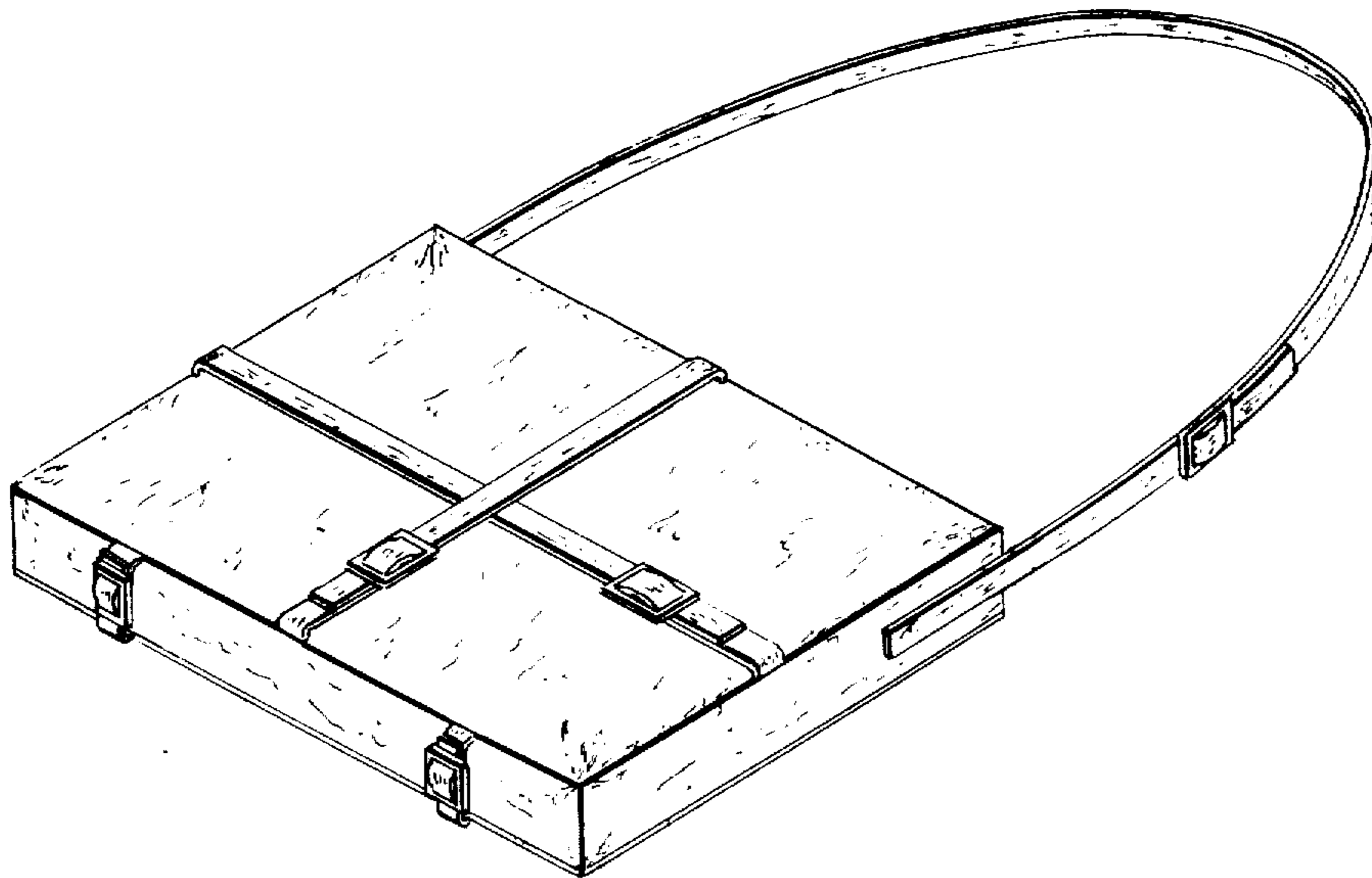
Primary Examiner—George P. Word
Attorney, Agent, or Firm—Allan M. Shapiro

[57] CLAIM

The ornamental design for a carrying case for artist's materials or the like, substantially as shown and described.

DESCRIPTION

FIG. 1 is a front perspective view of a carrying case for artists' materials or the like, showing my new design; FIG. 2 is a front elevational view thereof; and FIG. 3 is a rear perspective view thereof.



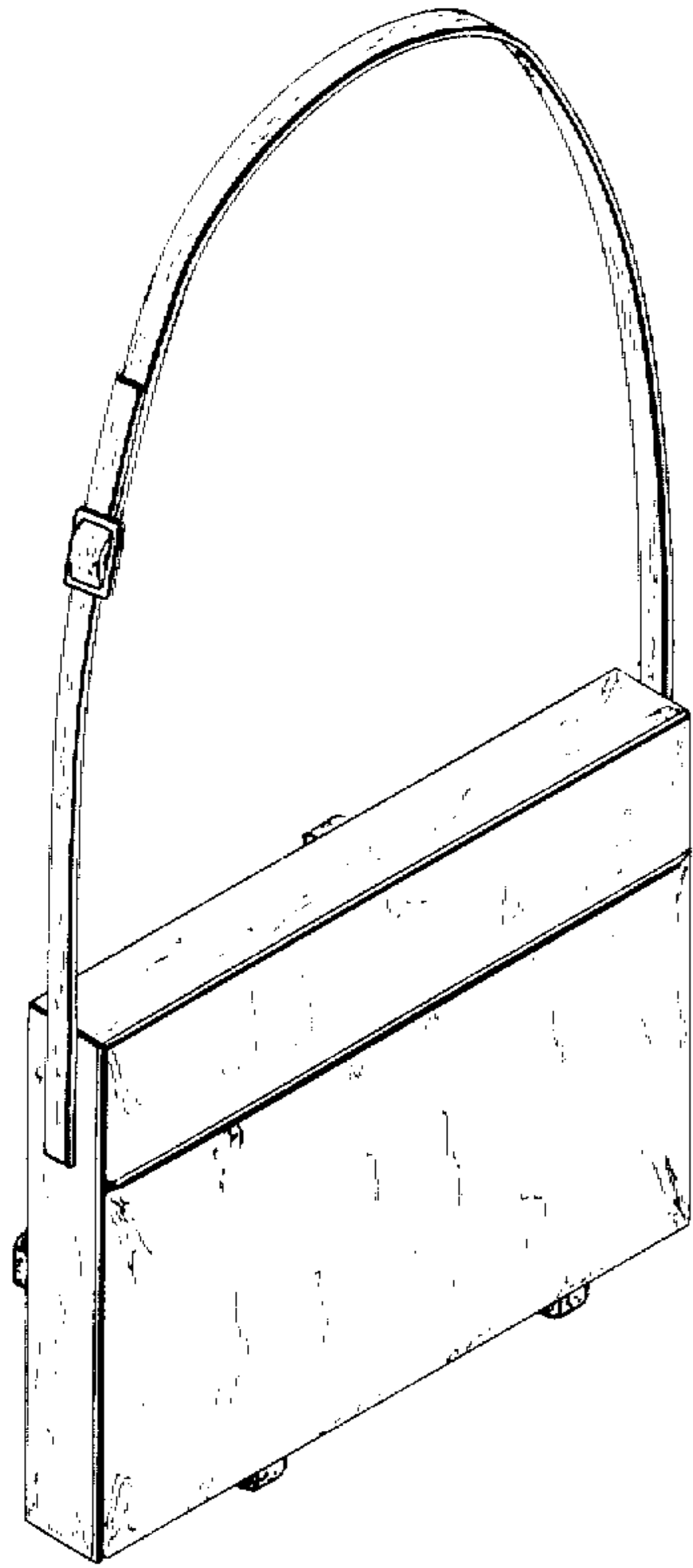


FIG. 1

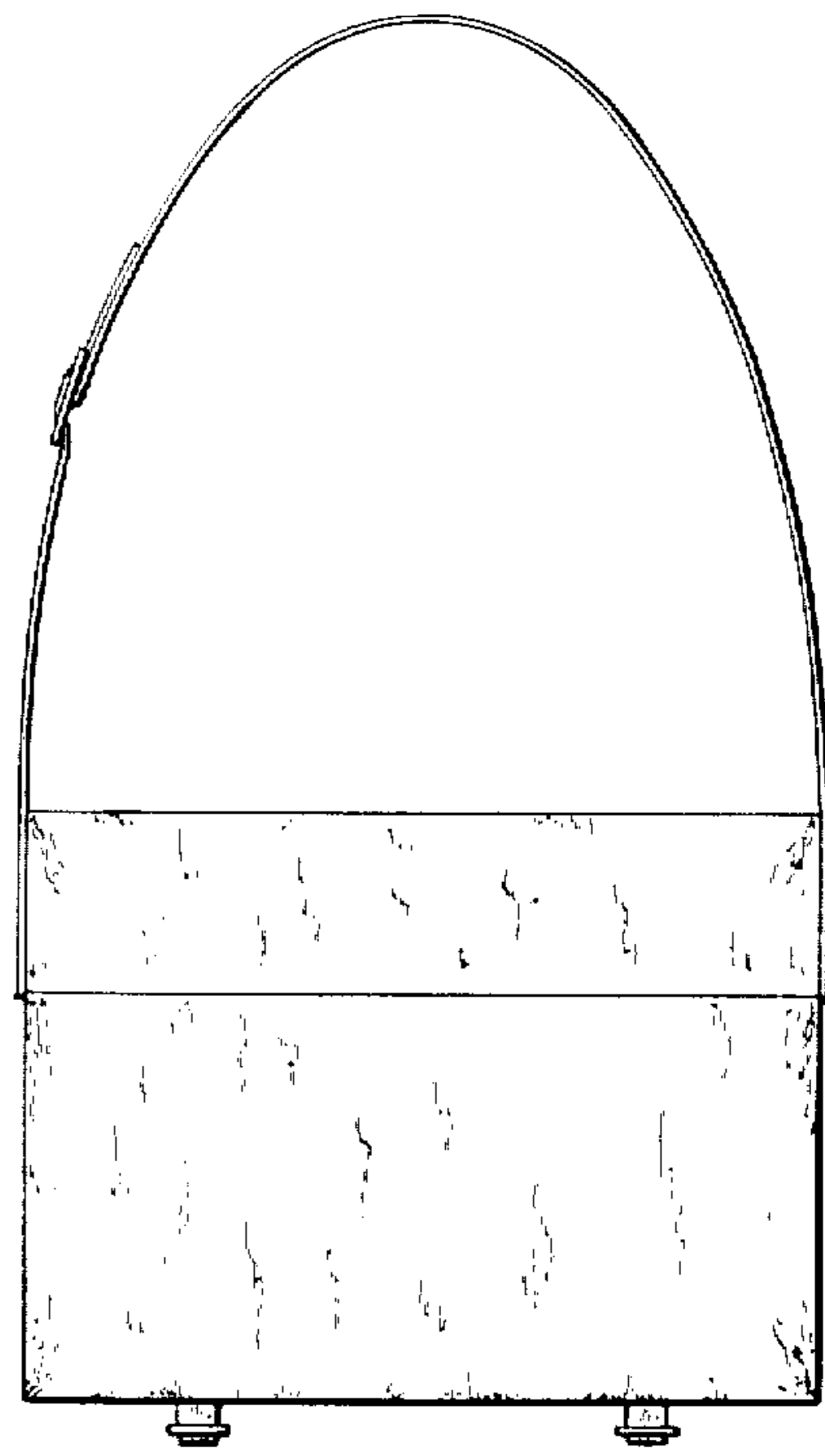


FIG. 2

FIG. 3

