

[54] VIDEO CASSETTE STORAGE CONTAINER

4,011,940 3/1977 Neal et al. 206/387
4,184,594 1/1980 Hehn 206/387

[75] Inventors: Robert A. Basili, Waldwick, N.J.;
Gerald Weinstein, Brooklyn, N.Y.;
William B. Wilson, Middlesex, N.J.

Primary Examiner—George P. Word
Attorney, Agent, or Firm—Anthony J. Casella

[73] Assignee: Plastic Reel Corporation of America,
Wood Ridge, N.J.

[57] CLAIM

[**] Term: 14 Years

The ornamental design for a video cassette storage container, as shown and described.

[21] Appl. No.: 153,555

DESCRIPTION

[22] Filed: May 27, 1980

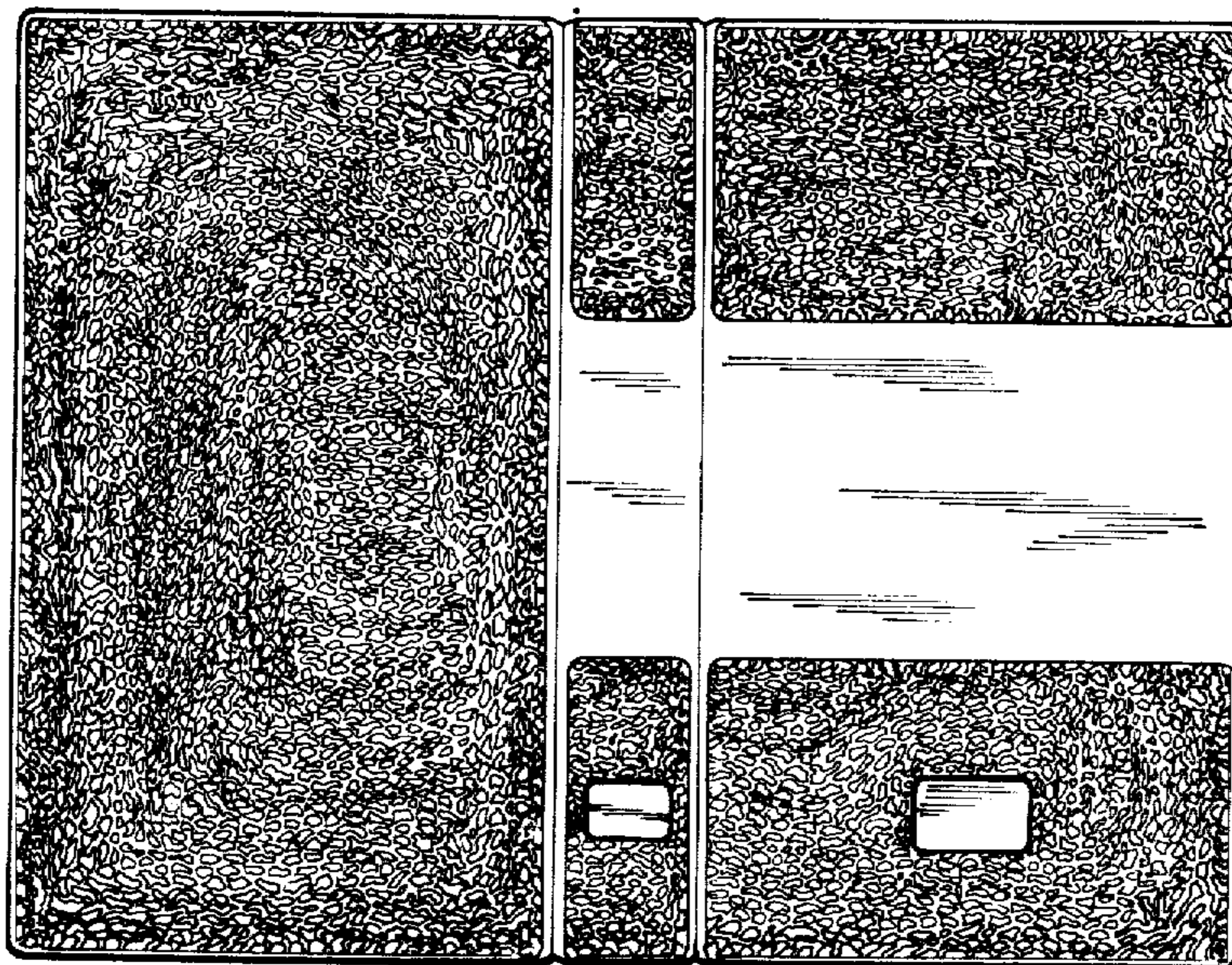
FIG. 1 is a perspective view of a video cassette storage container showing our new design;
FIG. 2 is a top plan view thereof;
FIG. 3 is an end elevational view taken from the bottom of FIG. 2;
FIG. 4 is a side elevational view taken from the left of FIG. 2;
FIG. 5 is a side elevational view taken from the right of FIG. 2;
FIG. 6 is a bottom plan view thereof; and
FIG. 7 is a cross sectional view taken along line 7—7 in FIG. 2.

[51] Int. Cl. D3—02
[52] U.S. Cl. D3/35; D3/78
[58] Field of Search D3/30, 35, 74, 78;
D14/11; D19/26, 27; 206/387, 493

[56] References Cited

U.S. PATENT DOCUMENTS

D. 239,736 4/1976 Dudley et al. D14/11
3,638,788 2/1972 Solomon D3/35



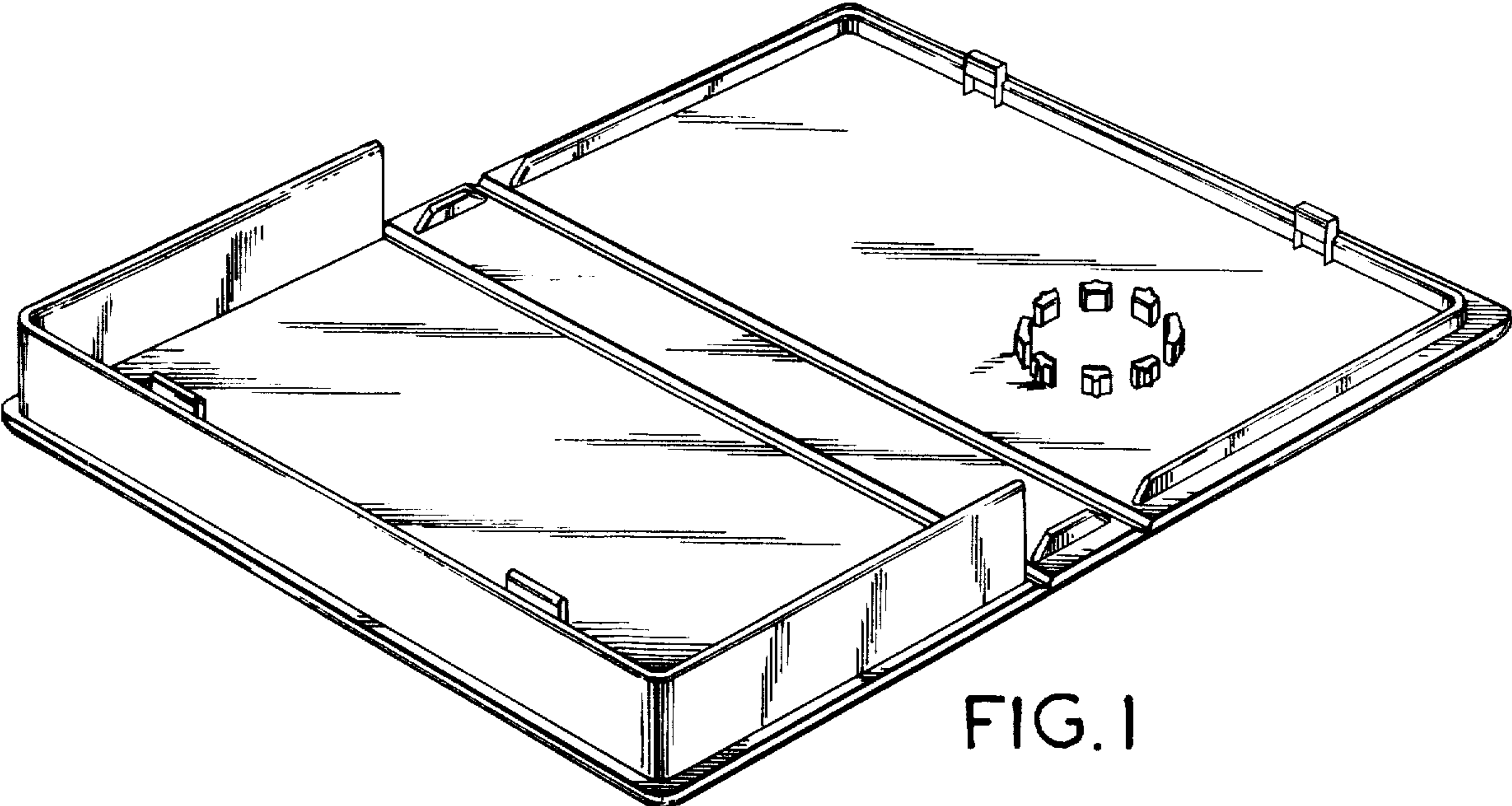


FIG. 1

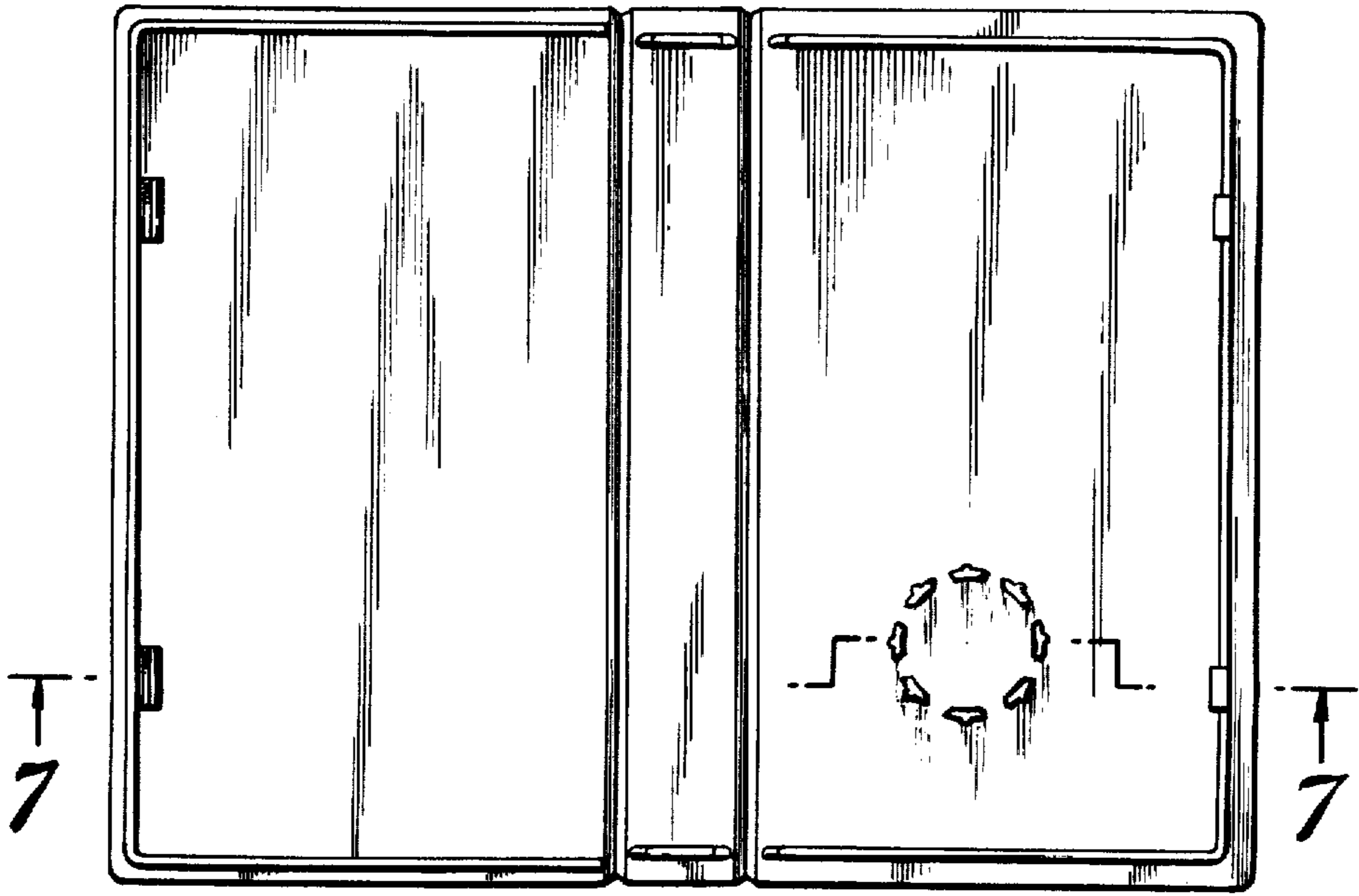


FIG. 2



FIG. 3

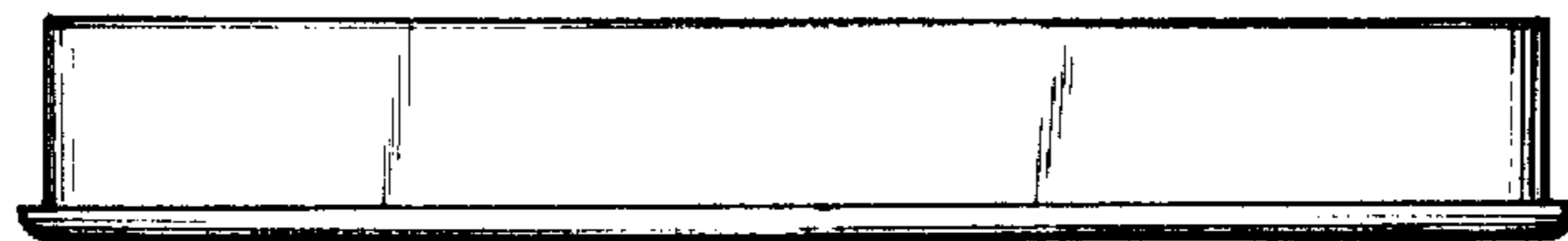


FIG. 4



FIG. 5

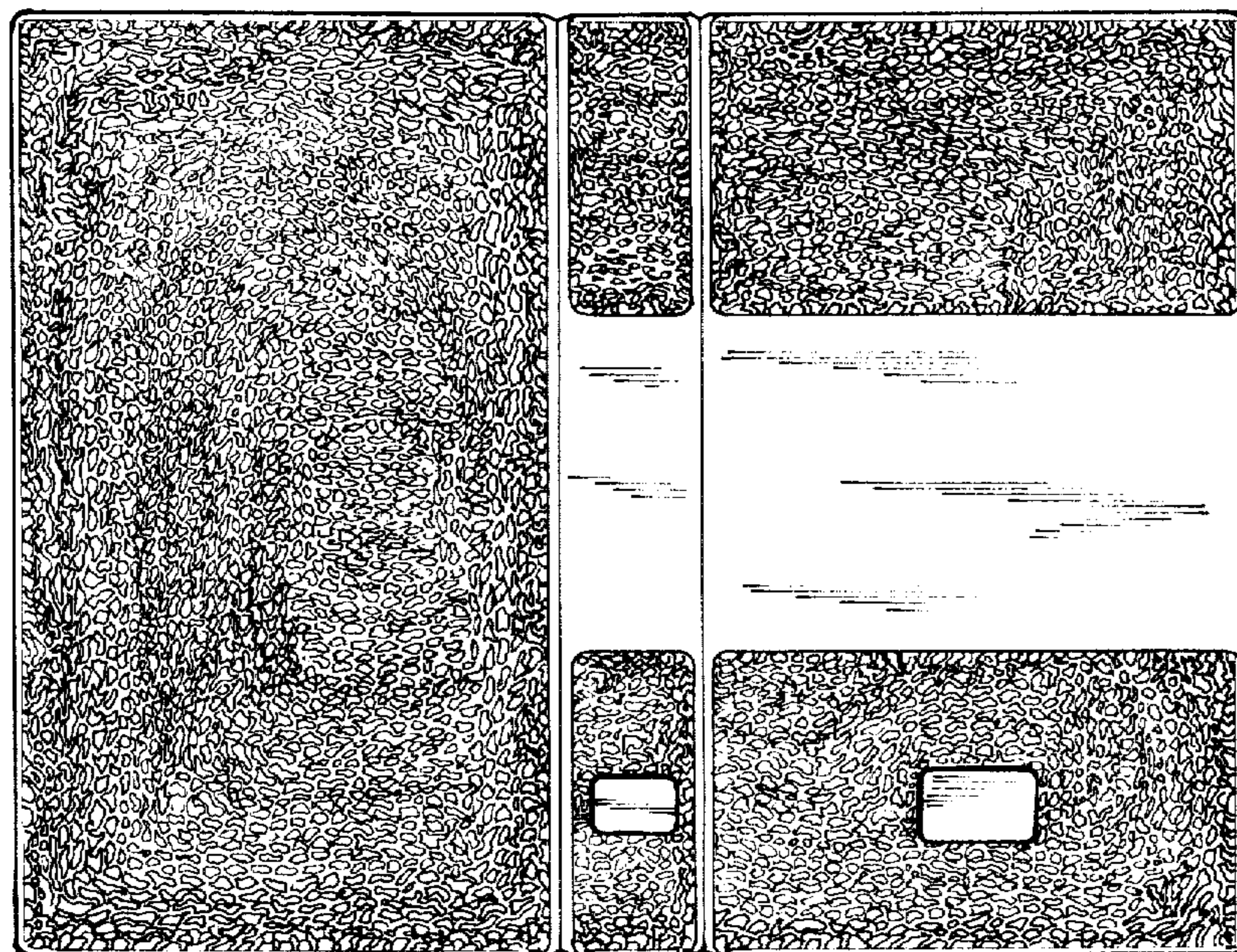


FIG. 6

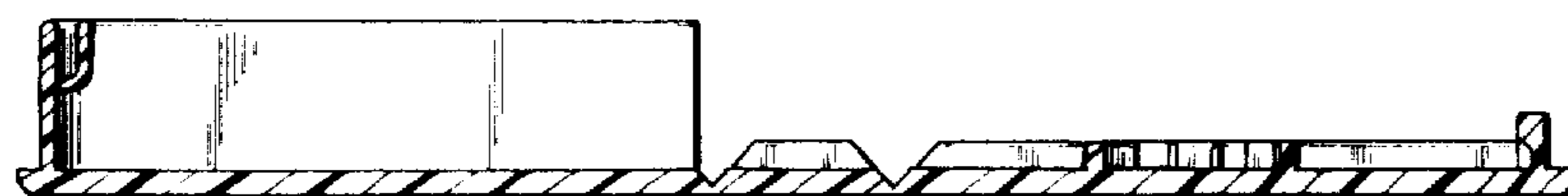


FIG. 7