

**United States Patent** [19]  
**Boyd**

[11] **Des. 264,387**  
[45] **\*\* May 11, 1982**

[54] **LIGHTED AND FOLDABLE HAND MIRROR**

[76] Inventor: **Raymond Boyd**, 2235 Cambridge Rd., Broomall, Pa. 19008

[\*\*] Term: **14 Years**

[21] Appl. No.: **55,023**

[22] Filed: **Jul. 5, 1979**

[51] Int. Cl. .... **D28—03**

[52] U.S. Cl. .... **D28/67**

[58] Field of Search ..... D6/233, 241, 242;  
D26/38, 56; D28/65, 66, 67, 69; 132/79 G, 80  
A, 83 R, 83 E, DIG. 2; 350/308; 362/135, 136,  
142, 144

[56] **References Cited**

**U.S. PATENT DOCUMENTS**

D. 79,023 7/1929 Frankl ..... D28/69

D. 144,084 3/1946 Troy et al. .... D28/65  
2,149,598 3/1939 Girl et al. .... 362/144

**FOREIGN PATENT DOCUMENTS**

852132 10/1952 Fed. Rep. of Germany ..... 362/142  
805741 8/1936 France ..... 132/83 E

*Primary Examiner*—Leland A. Sebastian  
*Attorney, Agent, or Firm*—Benasutti Associates, Ltd.

[57] **CLAIM**

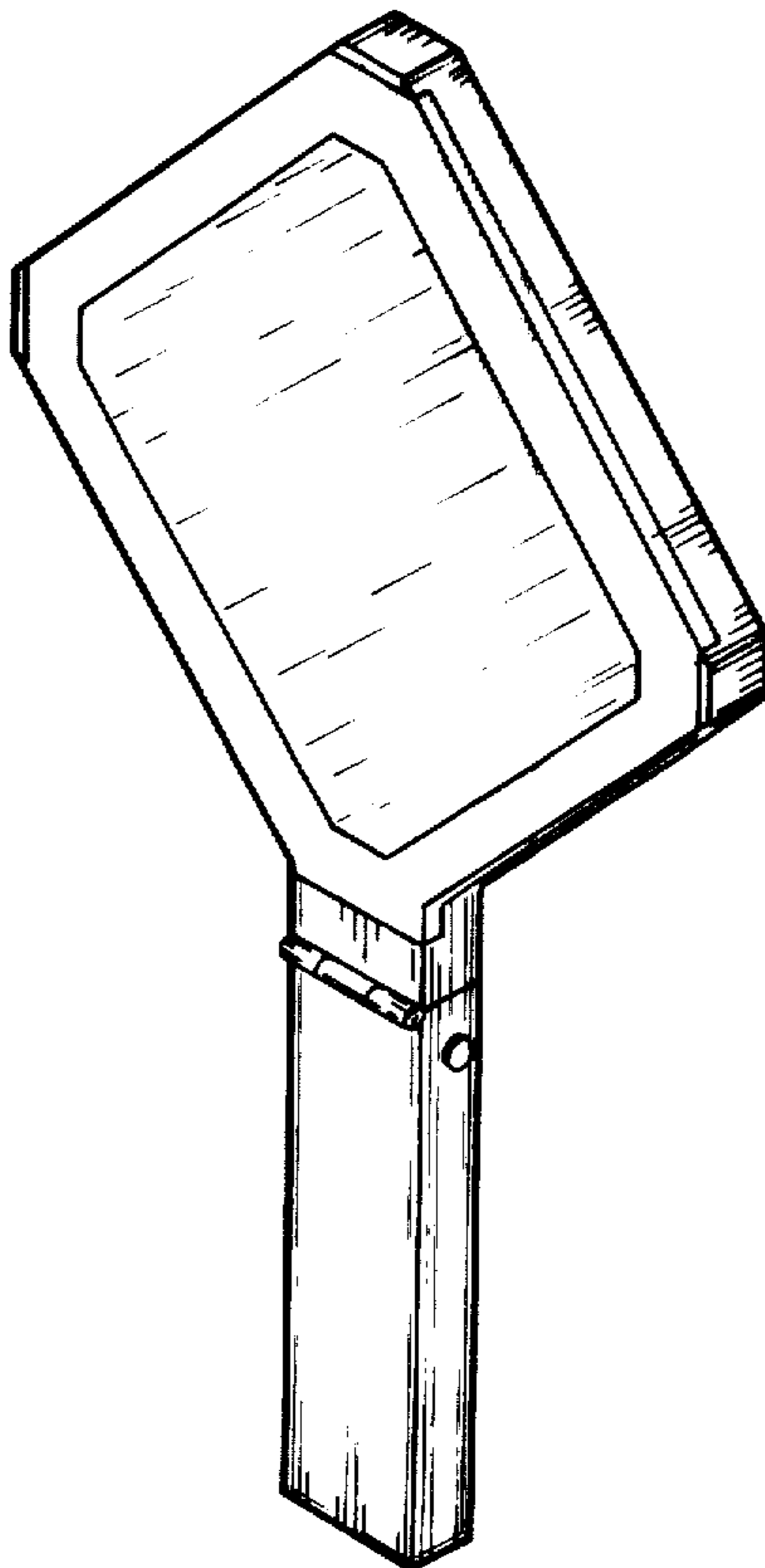
The ornamental design for a lighted and foldable hand mirror, substantially as shown and described.

**DESCRIPTION**

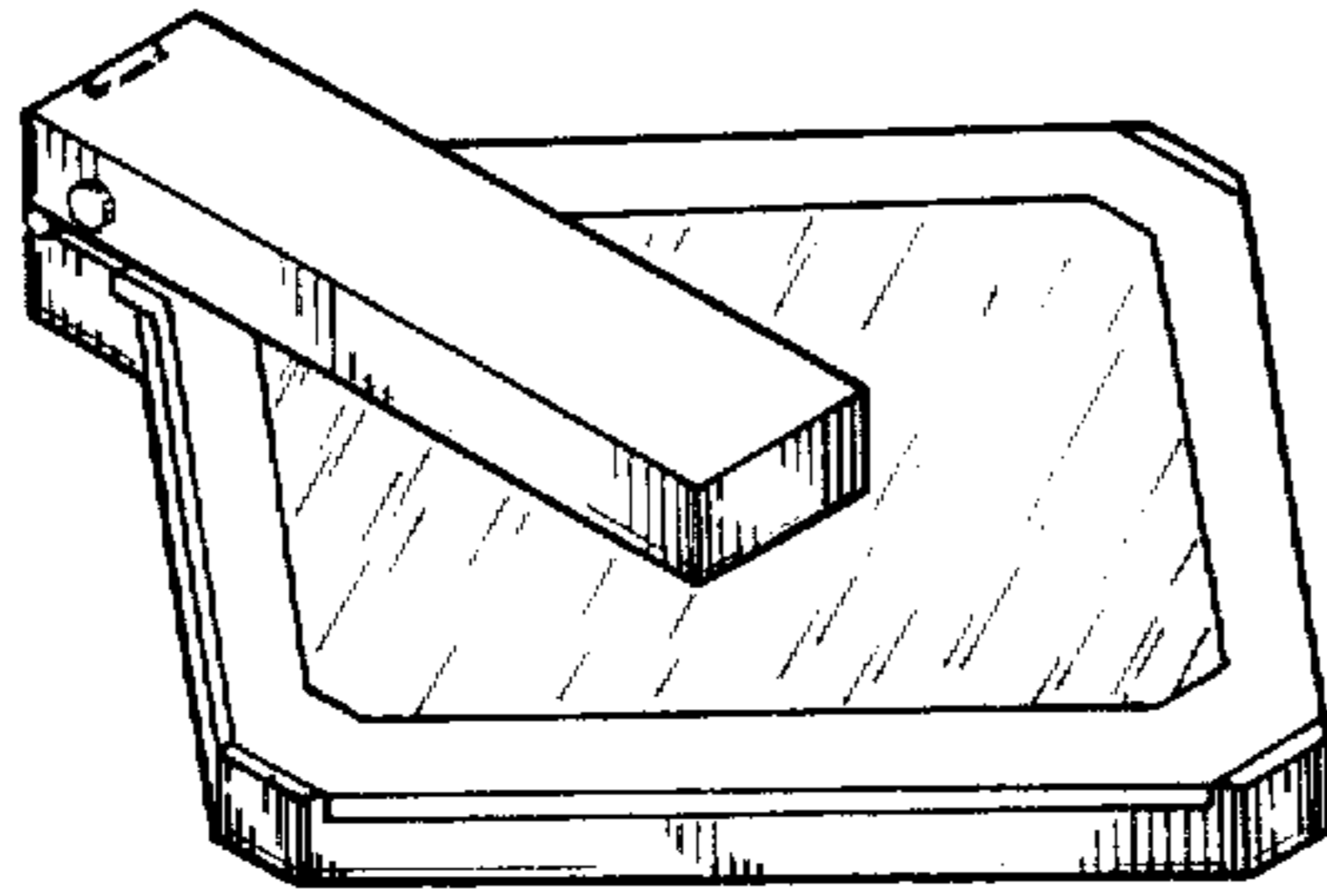
FIG. 1 is a perspective view of a lighted and foldable hand mirror in its folded position showing my new design;

FIG. 2 is a front perspective view thereof in the open position, and

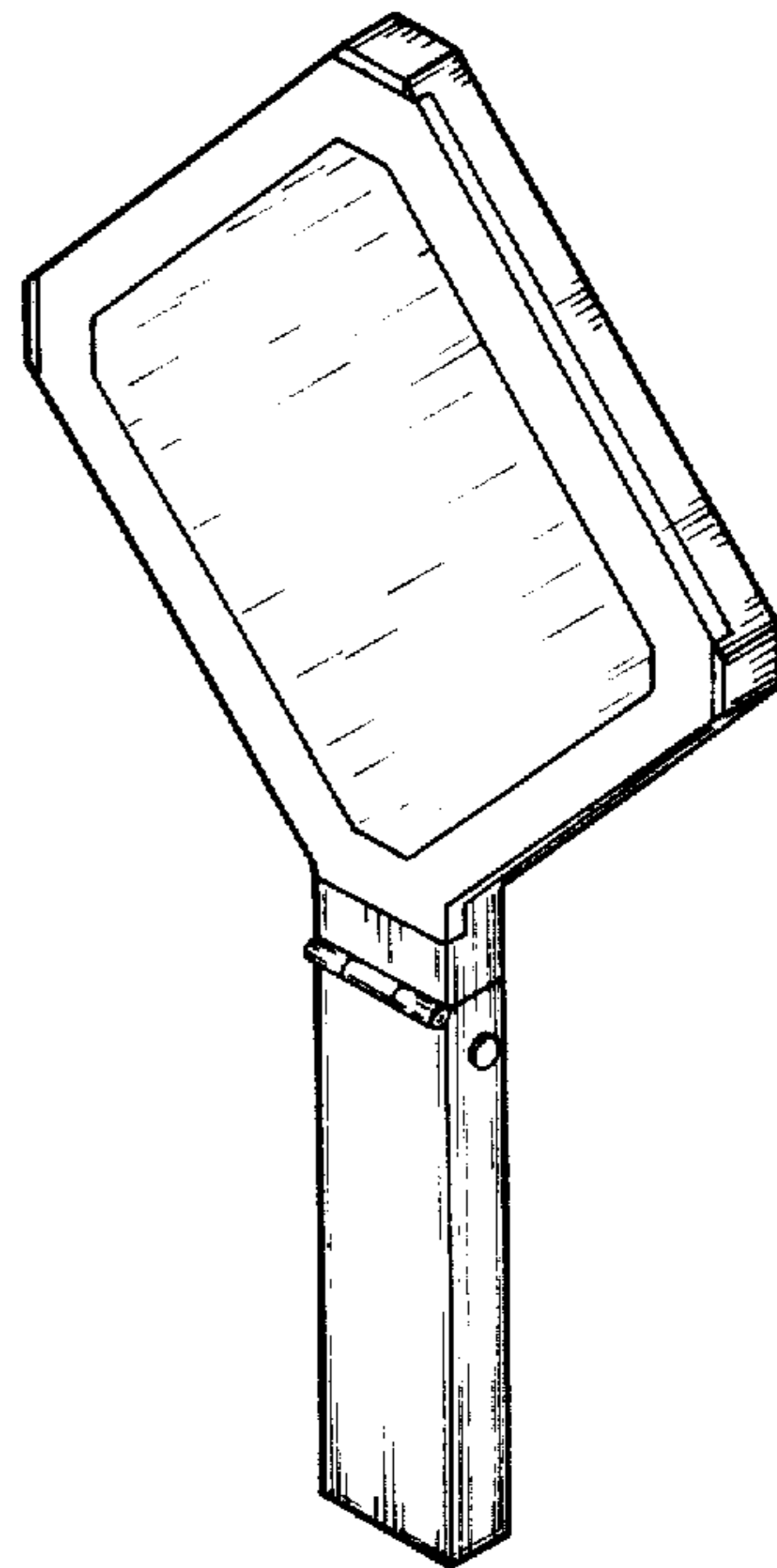
FIG. 3 is a rear perspective view thereof.



*Fig. 1*



*Fig. 2*



*Fig. 3*

