

[54] SPOTLIGHT FITTING

[76] Inventors: **Robert Heritage**, 12 Jay Mews, Kensington Gore, London SW7 2EP, England; **Stephen Hall**, 30 Crawford St., London W.1, England

[**] Term: **14 Years**

[21] Appl. No.: **48,678**

[22] Filed: **Jun. 14, 1979**

[30] Foreign Application Priority Data

Jan. 25, 1979 [GB] United Kingdom 988248

[51] Int. Cl. **D26-05**

[52] U.S. Cl. **D26/63**

[58] Field of Search D26/24, 60, 61, 63, D26/64, 65, 66, 72, 74, 80, 120, 122, 128, 130, 135, 137, 67; 362/269, 270, 277, 278, 282, 287, 296, 297, 311, 329, 330, 331, 332, 339, 341, 342, 347, 350, 418, 420, 427

[56] References Cited

U.S. PATENT DOCUMENTS

D. 231,559 4/1974 Darling et al. D26/63

FOREIGN PATENT DOCUMENTS

726012 2/1932 France 362/269

OTHER PUBLICATIONS

Design, 2-1955, p. 22-Wall Lamp #15.
Standby Systems Inc. Short Form Catalog, 1975, p. 4,
Model RVT Vapor-proof Remote Lighting Fixture.

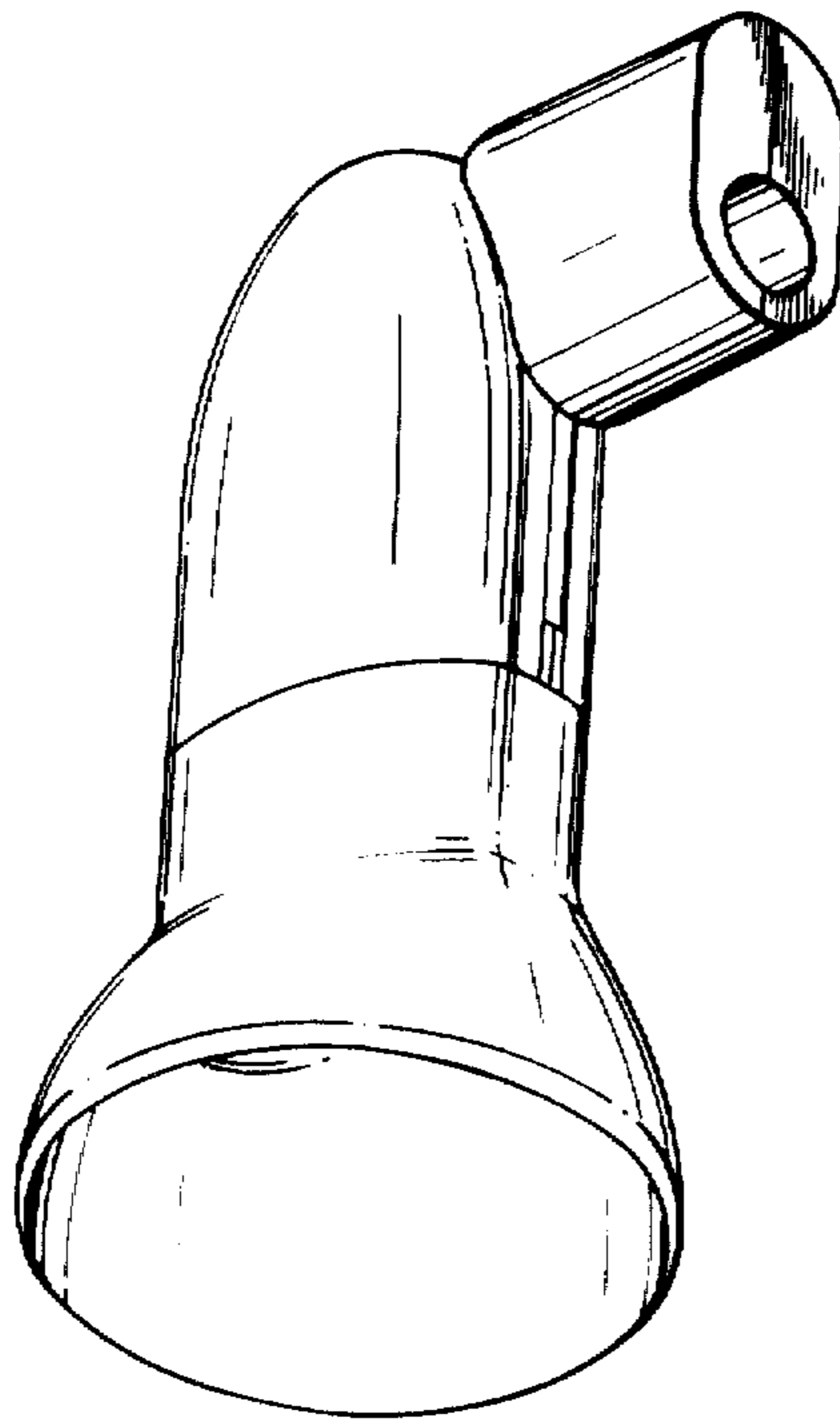
Primary Examiner—Susan J. Lucas
Attorney, Agent, or Firm—Arthur B. Colvin

[57] CLAIM

The ornamental design for a spotlight fitting, as shown.

DESCRIPTION

FIG. 1 is a perspective view of a spotlight fitting showing our new design;
FIG. 2 is a side elevational view thereof;
FIG. 3 is an end elevational view thereof;
FIG. 4 is a top plan view thereof; and
FIG. 5 is an elevational view of the end opposite that shown in FIG. 3.



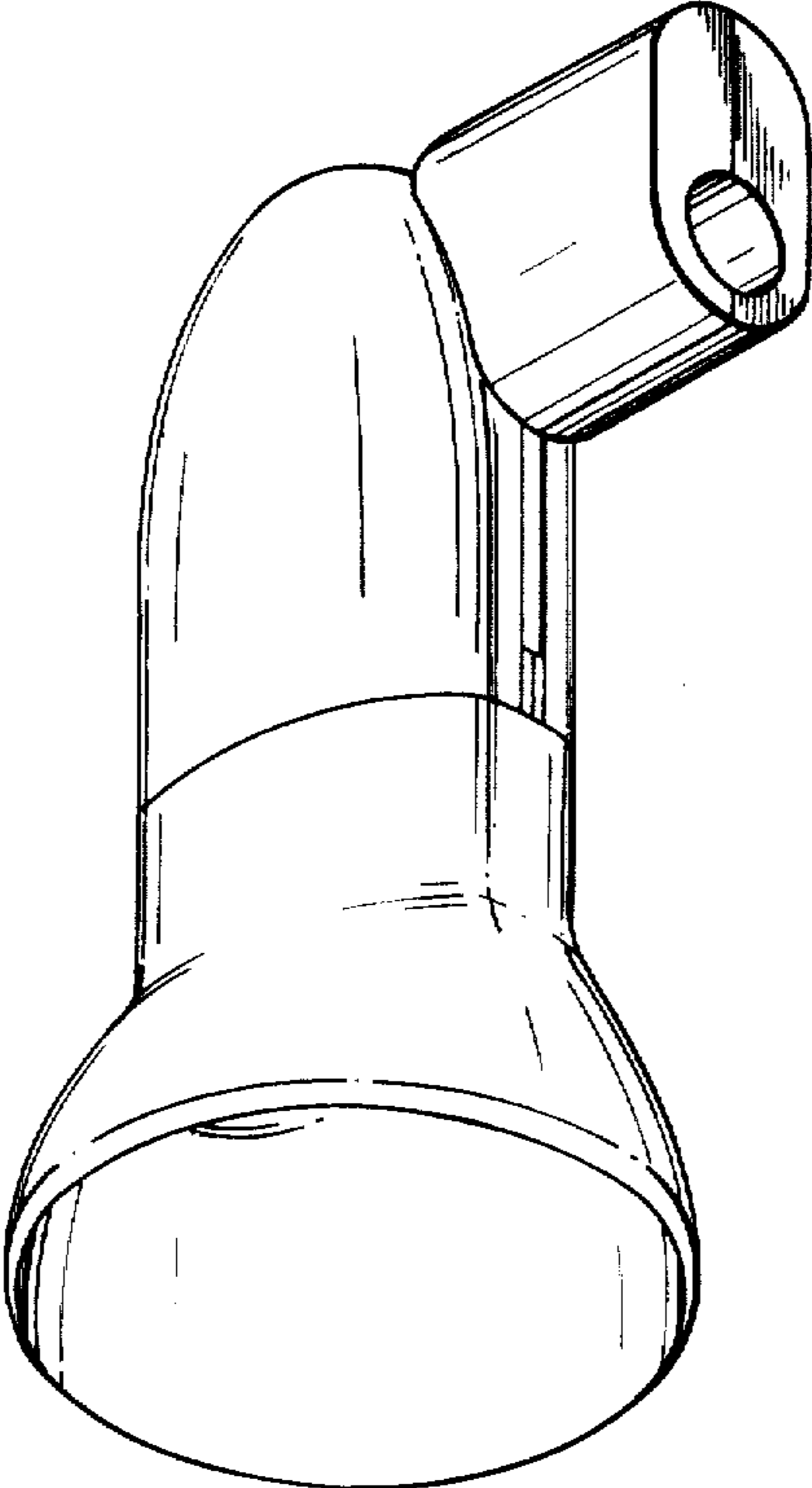


FIG. 1.

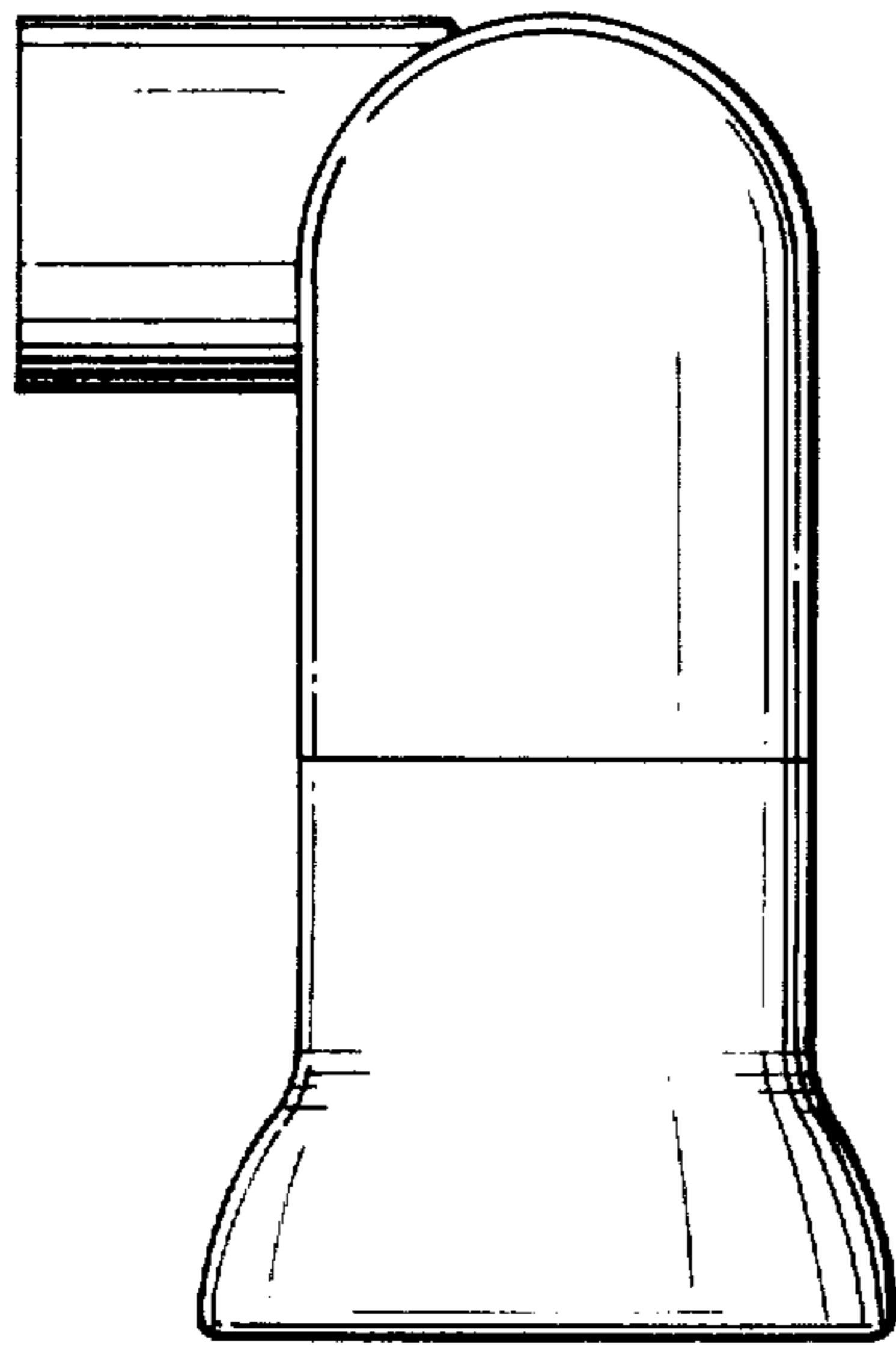


FIG. 2.

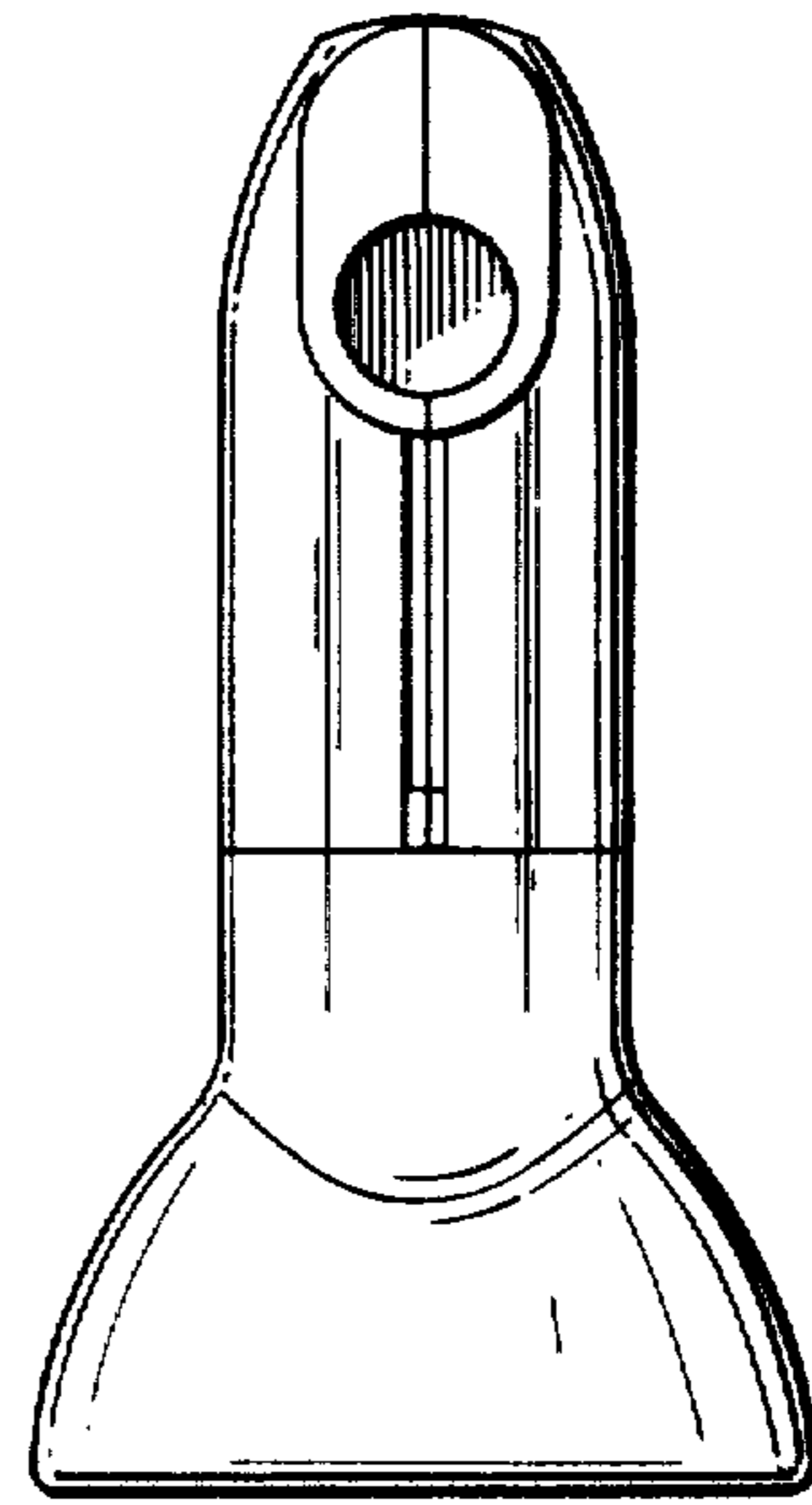


FIG. 3.

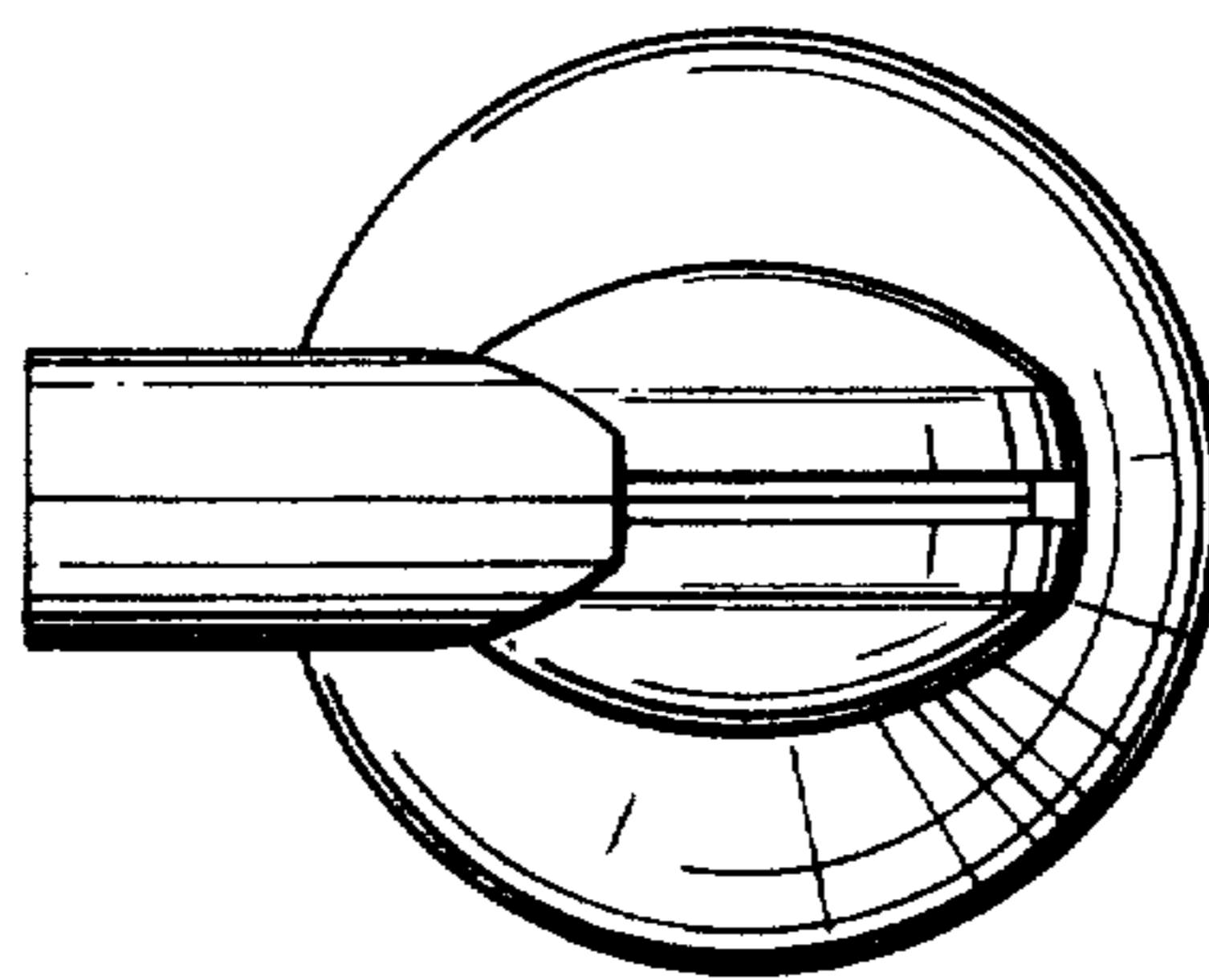


FIG. 4.

FIG. 5

