

[54] **INTERLOCK CRIB**

[76] Inventor: **Hugh G. Campbell**, 1846 S. 12th East,  
Salt Lake City, Utah 84105

[\*\*] Term: **7 Years**

[21] Appl. No.: **101,516**

[22] Filed: **Dec. 10, 1979**

[51] Int. Cl. .... **D25—01**

[52] U.S. Cl. .... **D25/80**

[58] Field of Search ..... **D25/80, 97, 98;**  
**405/273, 272**

[56] **References Cited**

**U.S. PATENT DOCUMENTS**

2,197,960 4/1940 Alexander ..... 405/273  
2,972,870 2/1961 Cooper ..... 405/273

3,631,682 1/1972 Hilfiker ..... 405/273

*Primary Examiner*—A. Hugo Word  
*Attorney, Agent, or Firm*—B. Deon Criddle

[57] **CLAIM**

The ornamental design for an interlock crib, as shown and described.

**DESCRIPTION**

FIG. 1 is a perspective view taken from above and at one front corner of an interlock crib incorporating my design.

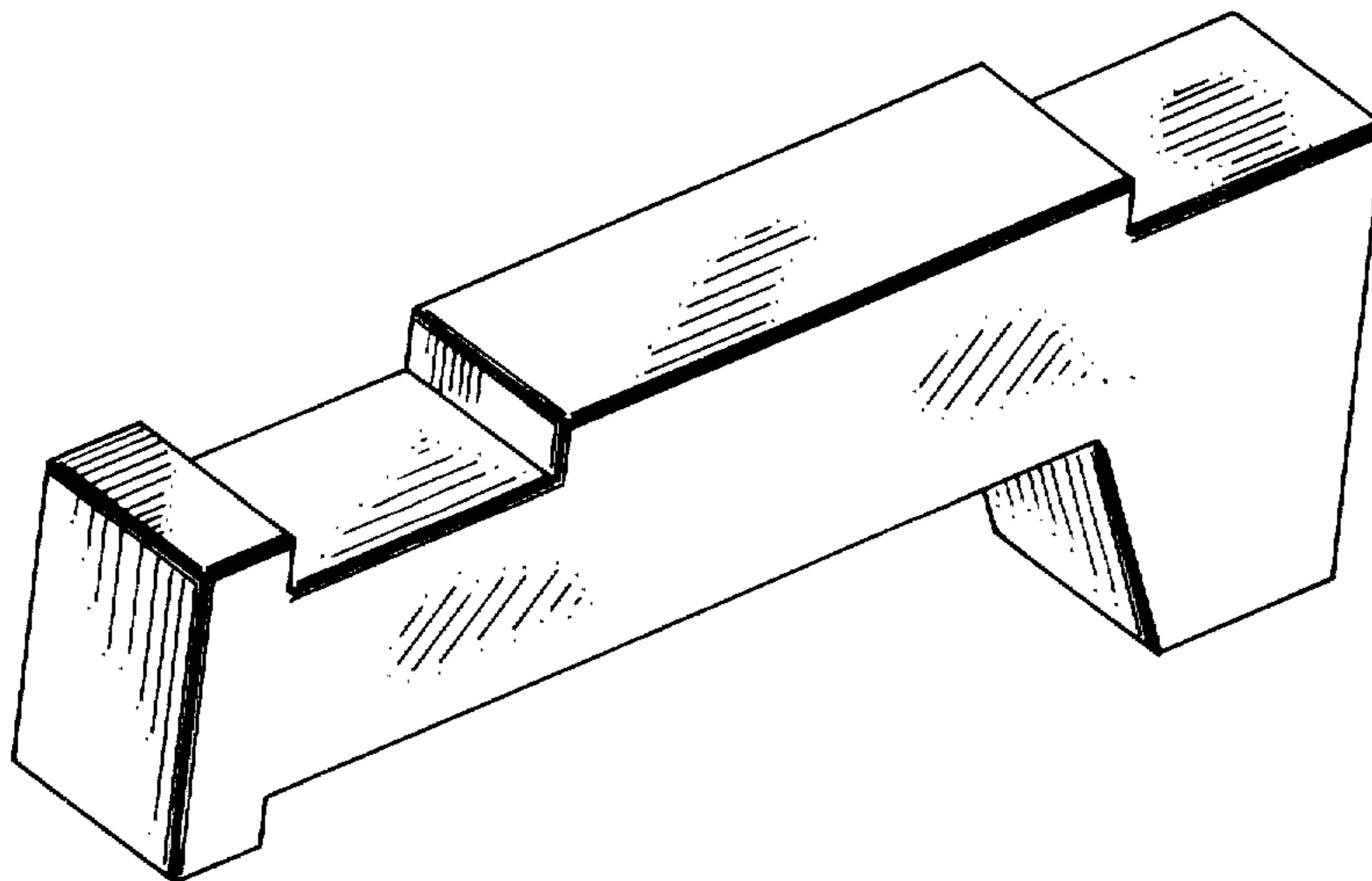
FIG. 2 is a side elevation view thereof, the opposite side being a mirror image.

FIG. 3 is a top plan view thereof.

FIG. 4 is an end elevation view thereof.

FIG. 5 is an end elevation view of an opposite end thereof.

FIG. 6 is a bottom plan view thereof.



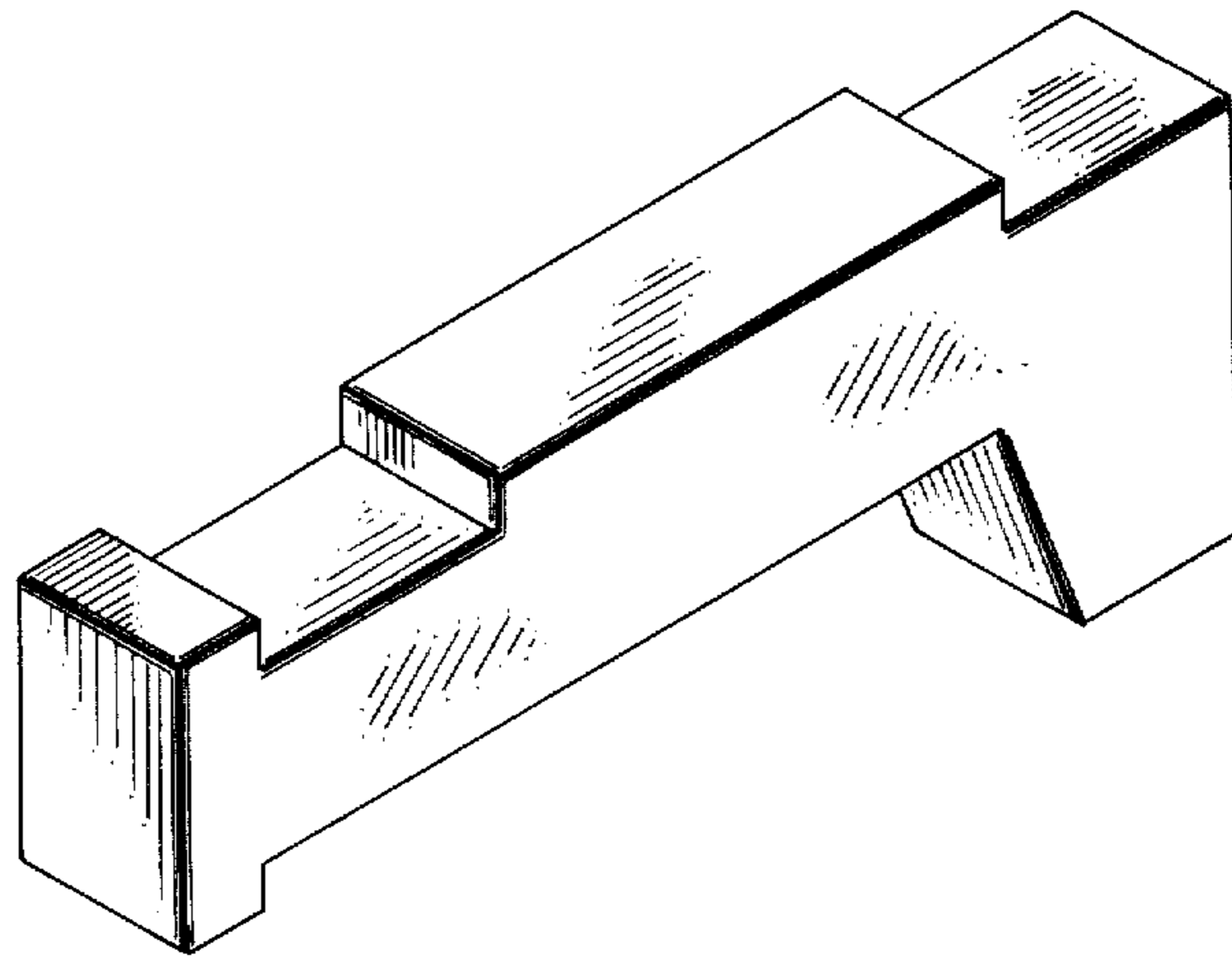


Fig. 1



Fig. 3

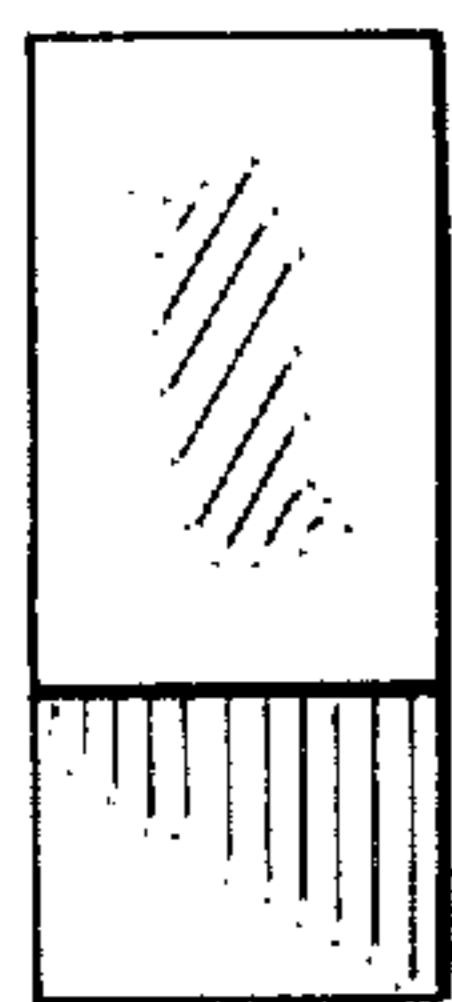


Fig. 5

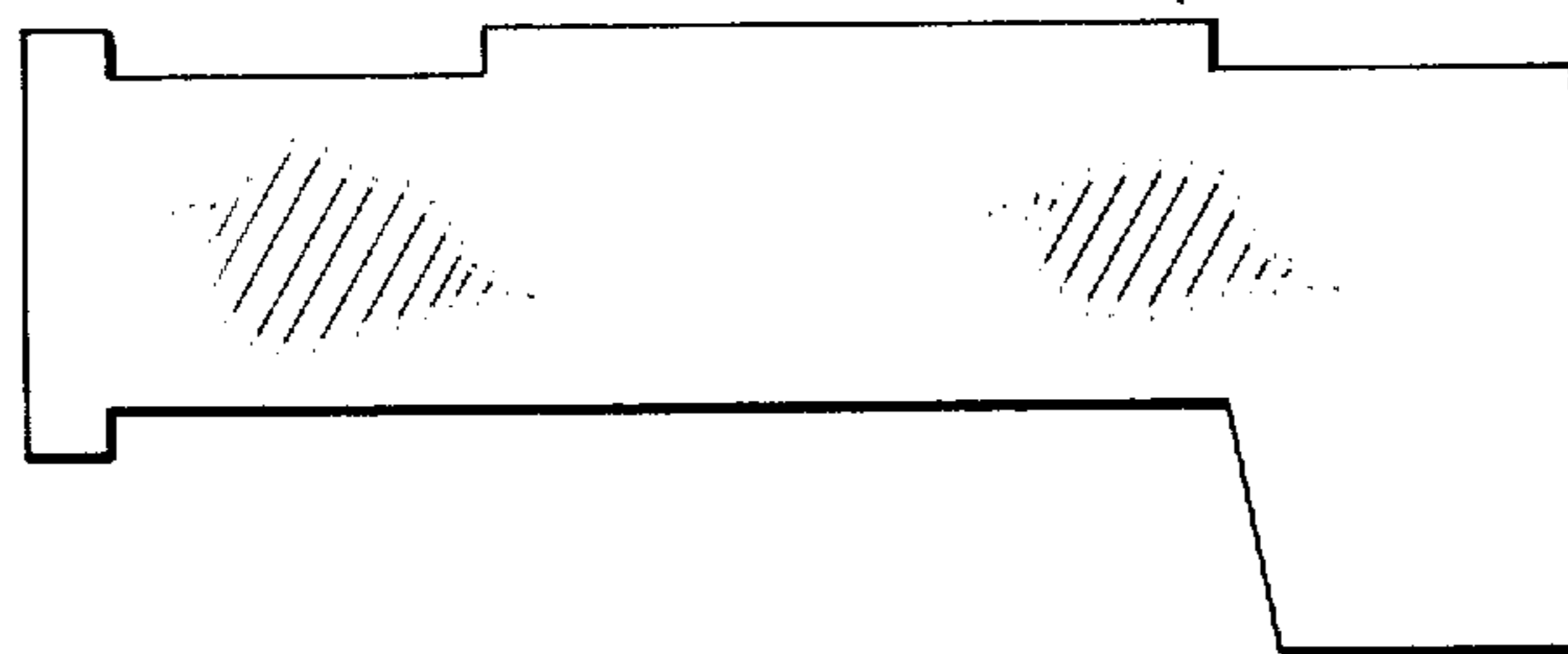


Fig. 2



Fig. 4

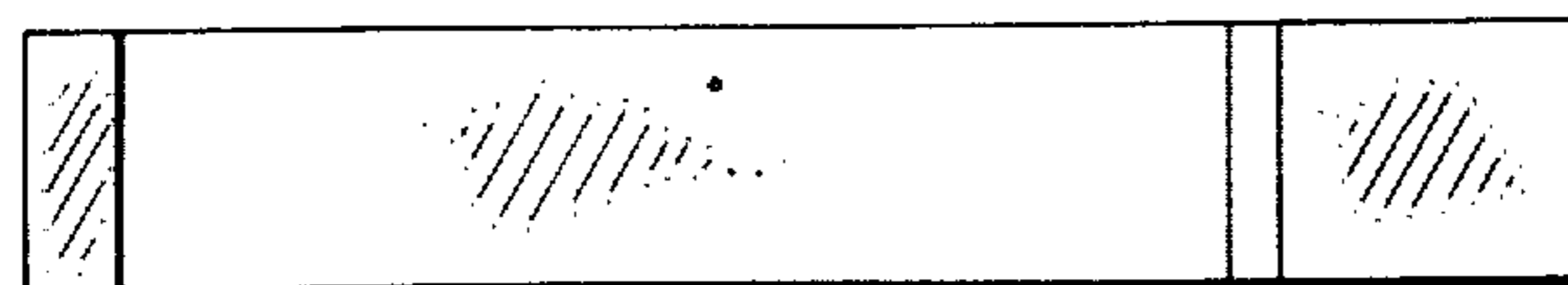


Fig. 6