

[54] ADJUSTABLE, DETACHABLE HANDLE  
SUITABLE FOR USE ON WHEELED,  
HOSPITAL-TYPE IV STANDS AND THE  
LIKE

[76] Inventor: **Raymond Slinkard**, 112 S. Grain,  
Clearwater, Kans. 67026

[\*\*] Term: **14 Years**

[21] Appl. No.: **120,257**

[22] Filed: **Feb. 11, 1980**

[51] Int. Cl. .... **D24-01**

[52] U.S. Cl. .... **D24/29**

[58] Field of Search ..... D24/1.1, 7, 29, 51,  
D24/52; 248/230; 403/388, 390, 391

[56] **References Cited**

**U.S. PATENT DOCUMENTS**

663,121	12/1900	Frost	248/230
3,046,040	7/1962	Luper	248/230
3,512,814	5/1970	Lowe	403/391
3,524,627	8/1970	Boyanton et al.	248/230

Primary Examiner—Peter M. Caun

Attorney, Agent, or Firm—Robert E. Breidenthal

[57] **CLAIM**

The ornamental design of an adjustable, detachable handle suitable for use on wheeled hospital-type IV stands and the like, substantially as shown and described.

**DESCRIPTION**

FIG. 1 is an isometric view taken from the top, the rear and one side of an adjustable, detachable handle suitable for use on wheeled, hospital-type IV stands and the like, showing my new design;

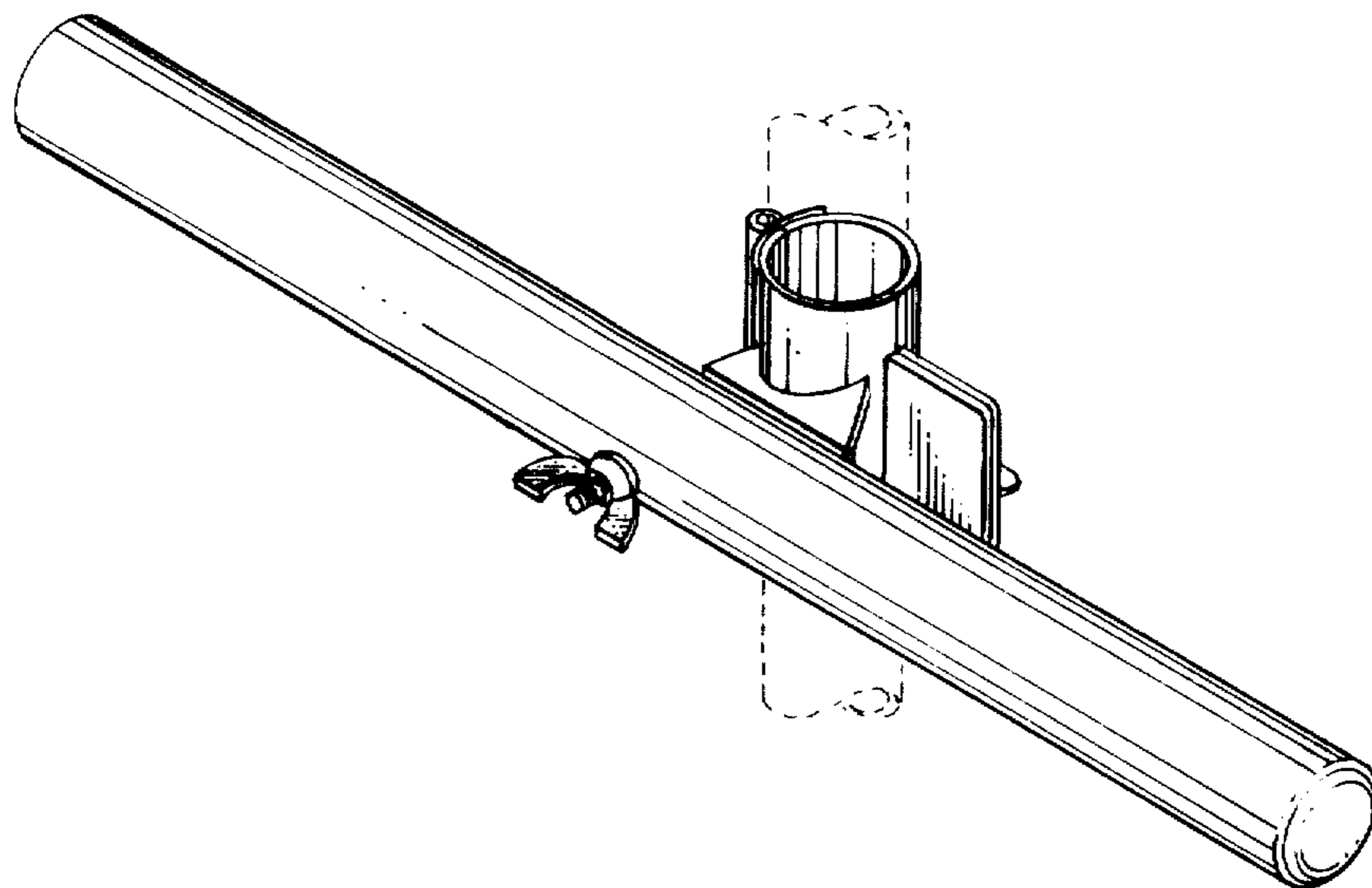
FIG. 2 is an enlarged isometric view from the top, the front and one side thereof;

FIG. 3 is a side elevational view thereof taken from the side opposite that from which FIG. 2 is taken;

FIG. 4 is an isometric view thereof taken from below, the rear and from the same side as that from which FIG. 2 is taken; and,

FIG. 5 is a side view thereof in collapsed condition, the view being taken from the same side as that from which FIG. 3 is taken.

The dotted lines are shown for purposes of illustration of invention only.



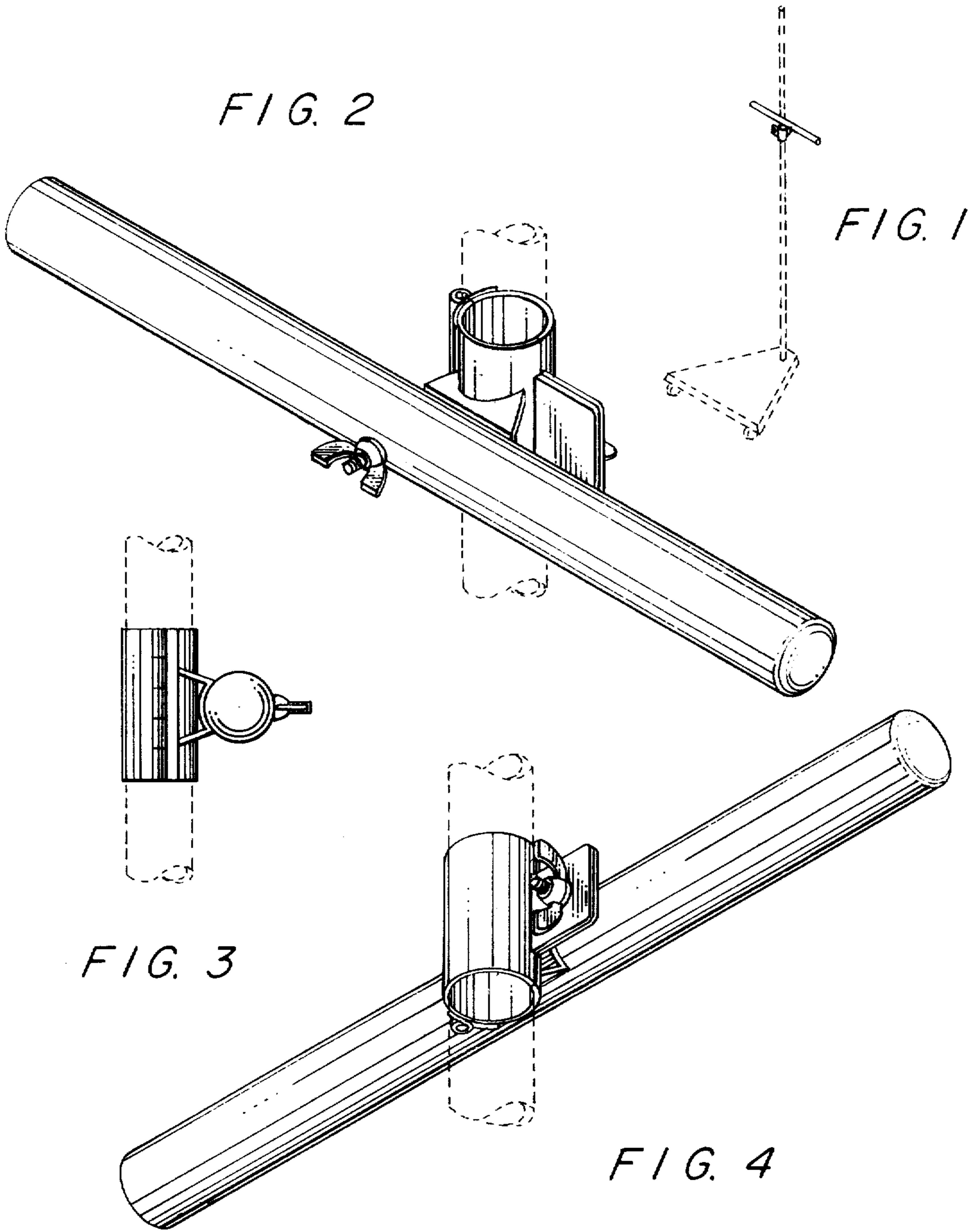


FIG. 5

