

[54] DAMPER

[76] Inventor: John Prikkel, III, 2952 Ensley Ave., Dayton, Ohio 45414

[\*\*] Term: 14 Years

[21] Appl. No.: 122,355

[22] Filed: Feb. 19, 1980

[51] Int. Cl. .... D23-03

[52] U.S. Cl. .... D23/127

[58] Field of Search ..... D23/90, 127, 137, 138, D23/151, 152, 163, 167; 126/285 R, 285 A, 285 B, 292, 295; 236/1 G, 96; 431/20

[56] References Cited

U.S. PATENT DOCUMENTS

2,654,363	10/1953	Simpson	126/295 X
2,975,975	3/1961	Weber	236/49
3,580,238	5/1971	Diehl	126/295
3,934,796	1/1976	Smith, Jr. et al.	126/285.5 X
4,108,369	8/1978	Prikkel	236/1 G

Primary Examiner—James R. Largen  
Attorney, Agent, or Firm—Dybvig & Dybvig

[57] CLAIM

The ornamental design of a damper, as shown and described.

DESCRIPTION

FIG. 1 is a perspective view of a damper showing my new design;

FIG. 2 is a front elevational view thereof;

FIG. 3 is a left side elevational view thereof; the right side being a mirror image of the left side shown;

FIG. 4 is a rear elevational view thereof;

FIG. 5 is a top plan view thereof;

FIG. 6 is a bottom plan view thereof;

FIG. 7 is a cross-sectional view taken on line 7-7 of FIG. 3;

FIG. 8 is a top plan view of a modified form of the damper shown in FIG. 1 wherein said modification resides in the peripheral shape of the damper plate; and

FIG. 9 is a bottom plan view of FIG. 8.

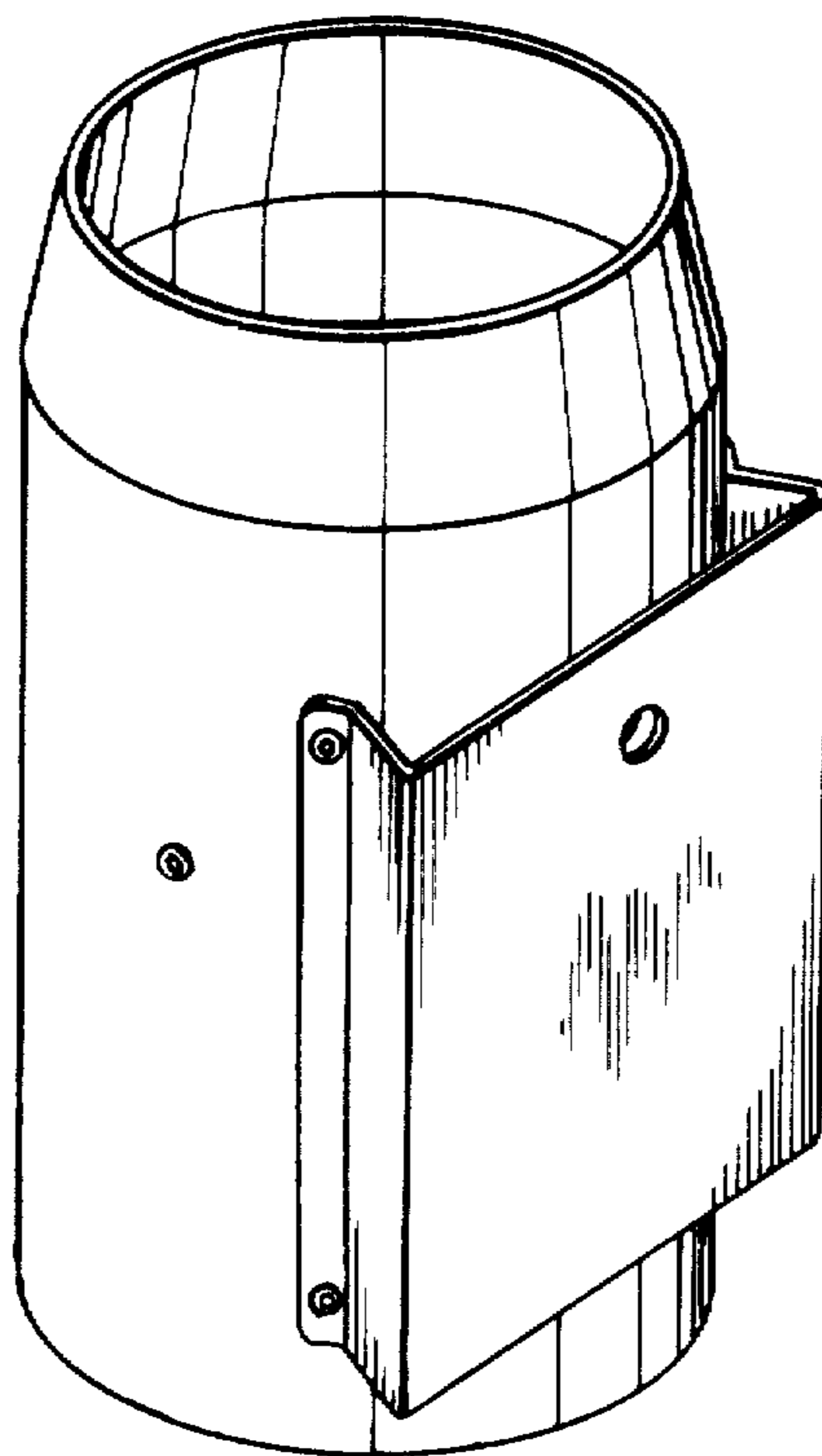


FIG-1

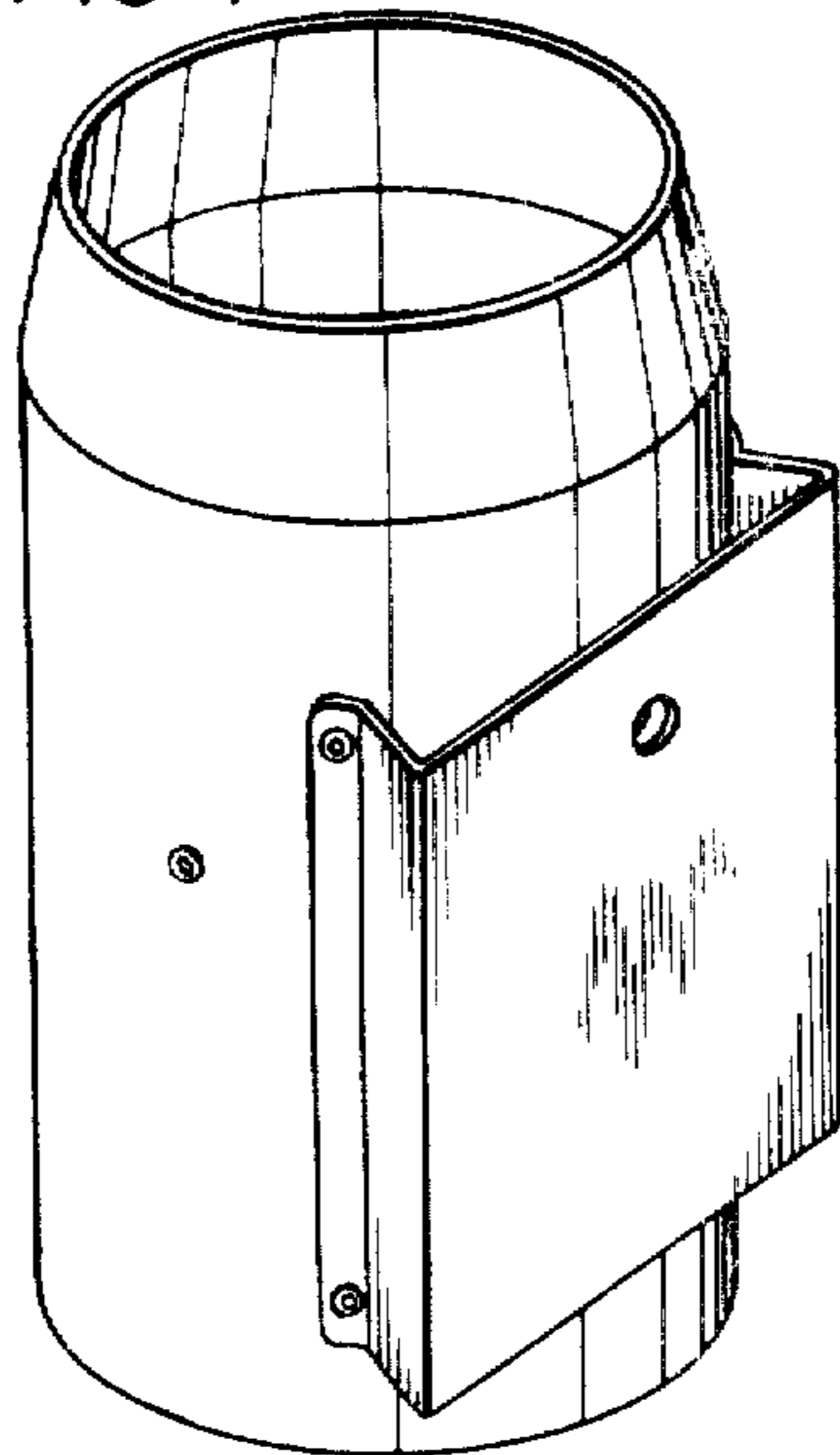
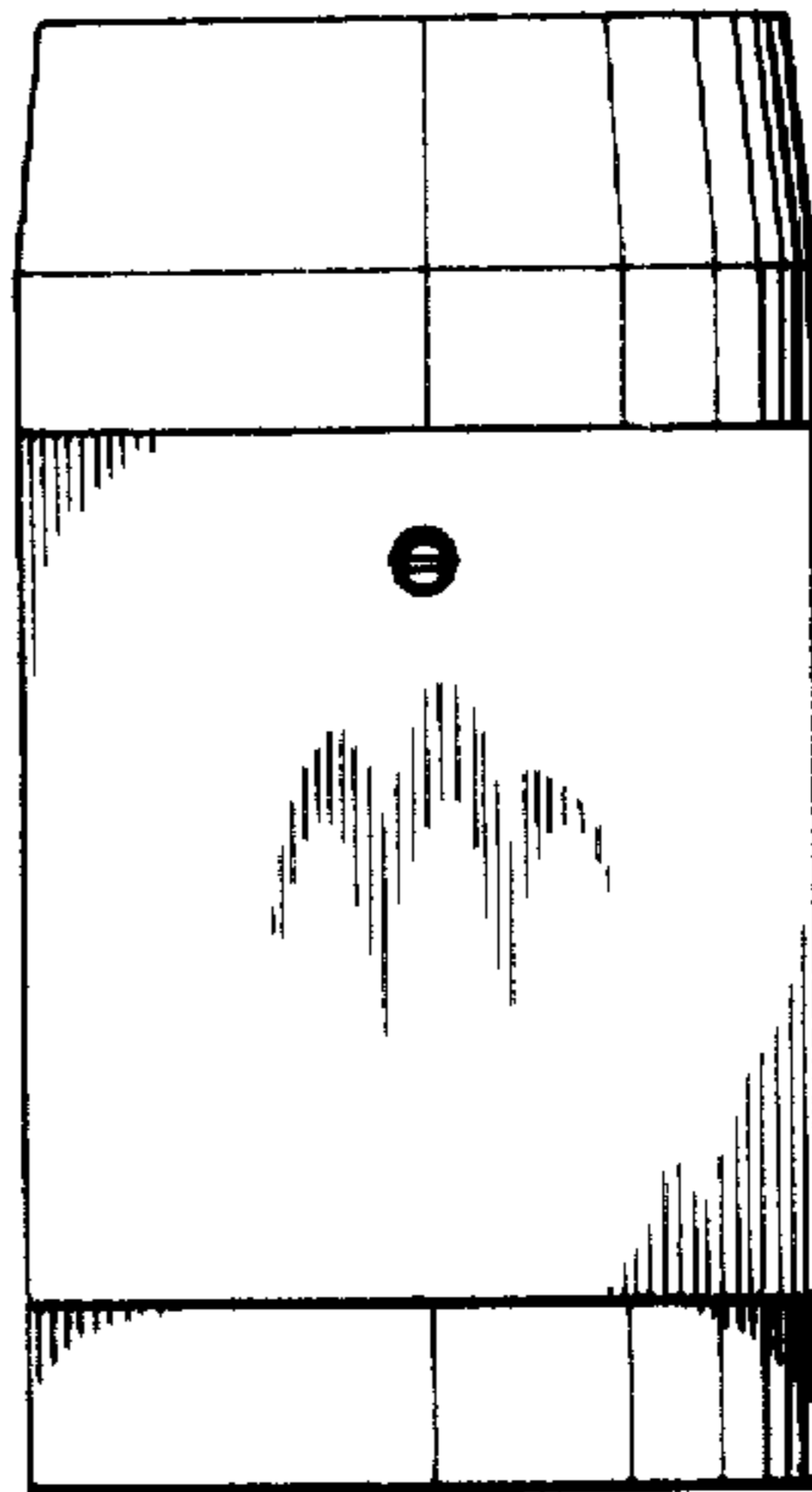


FIG-2



7 ← FIG-3

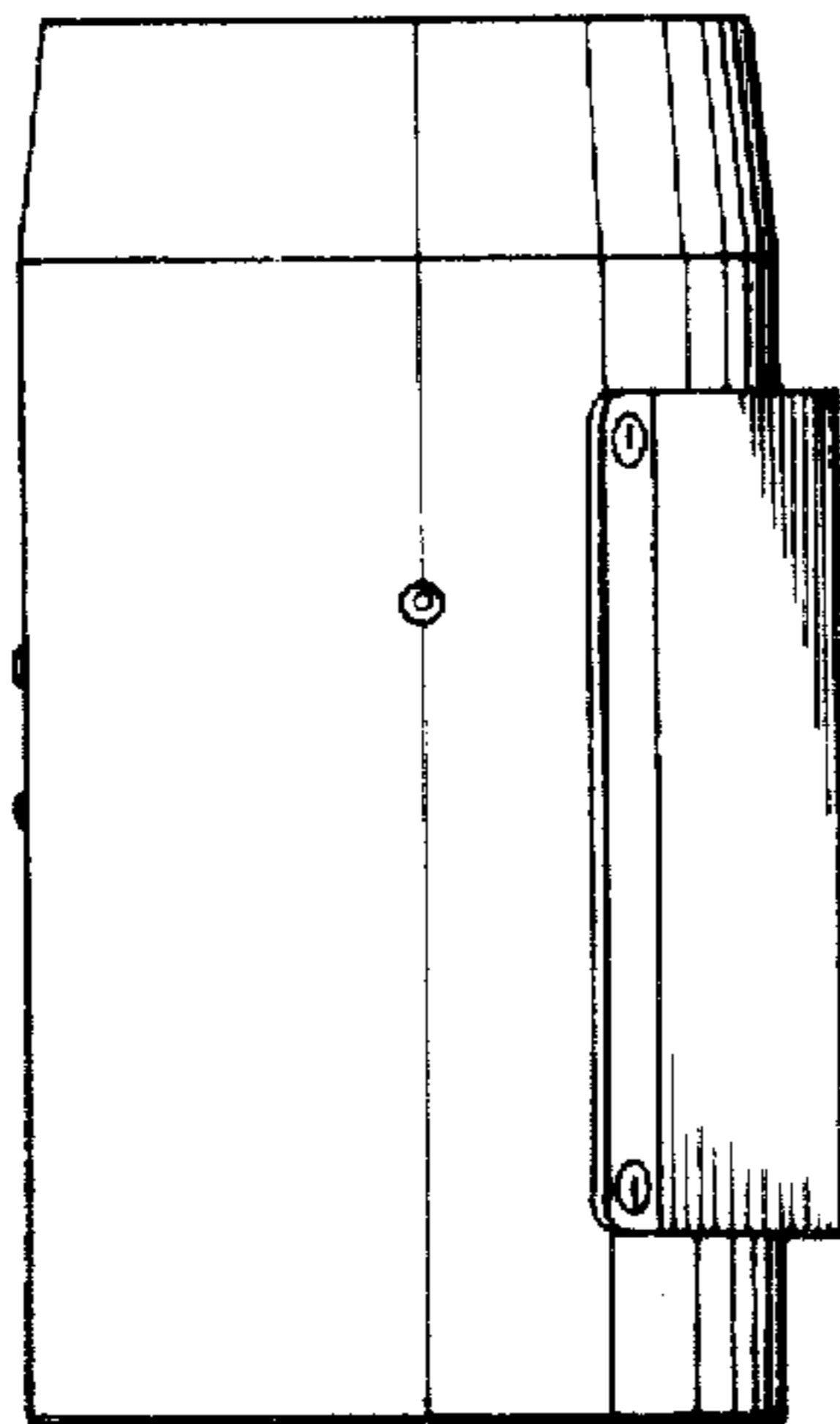
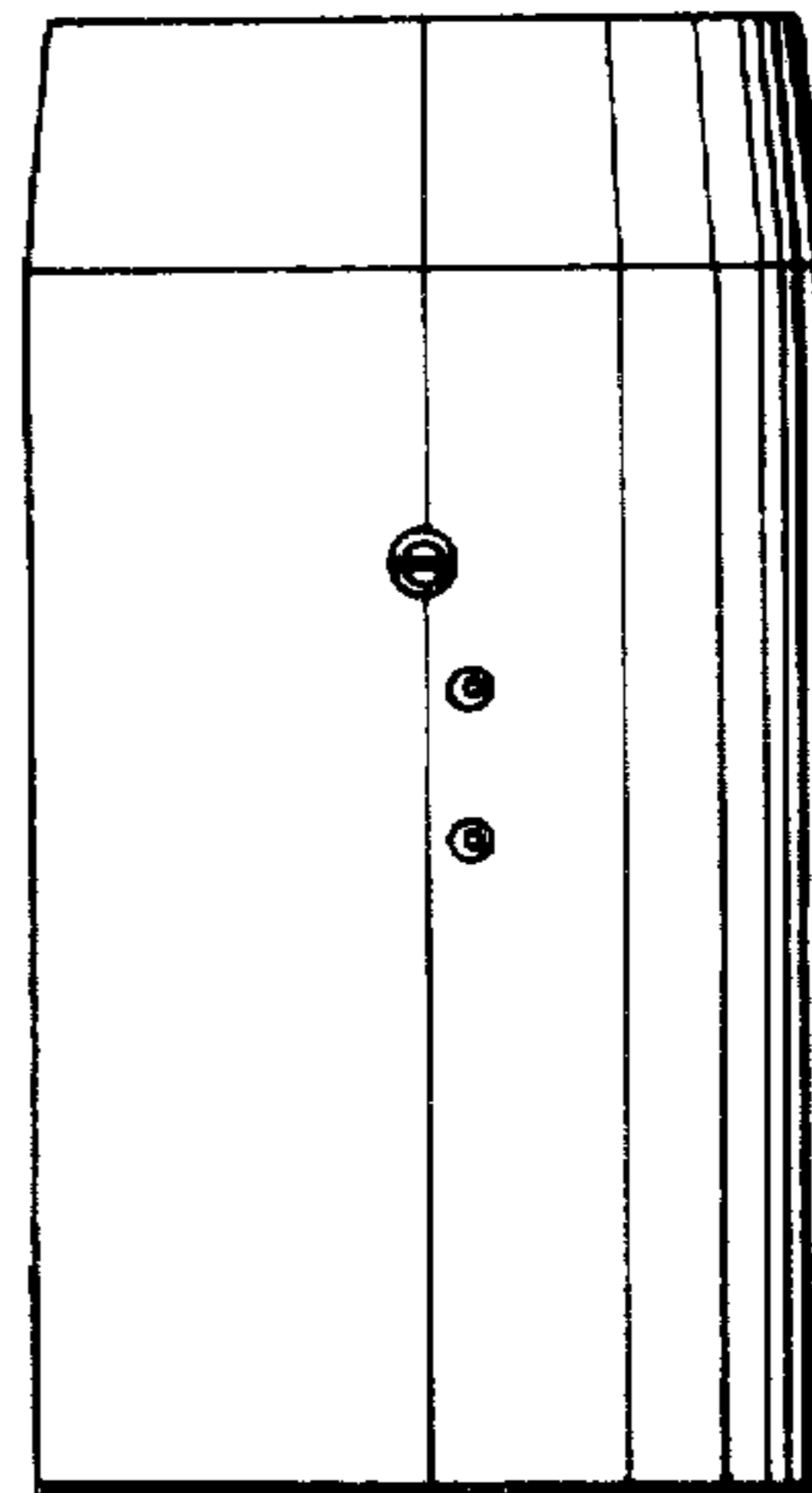


FIG-4



7 ←

FIG-5

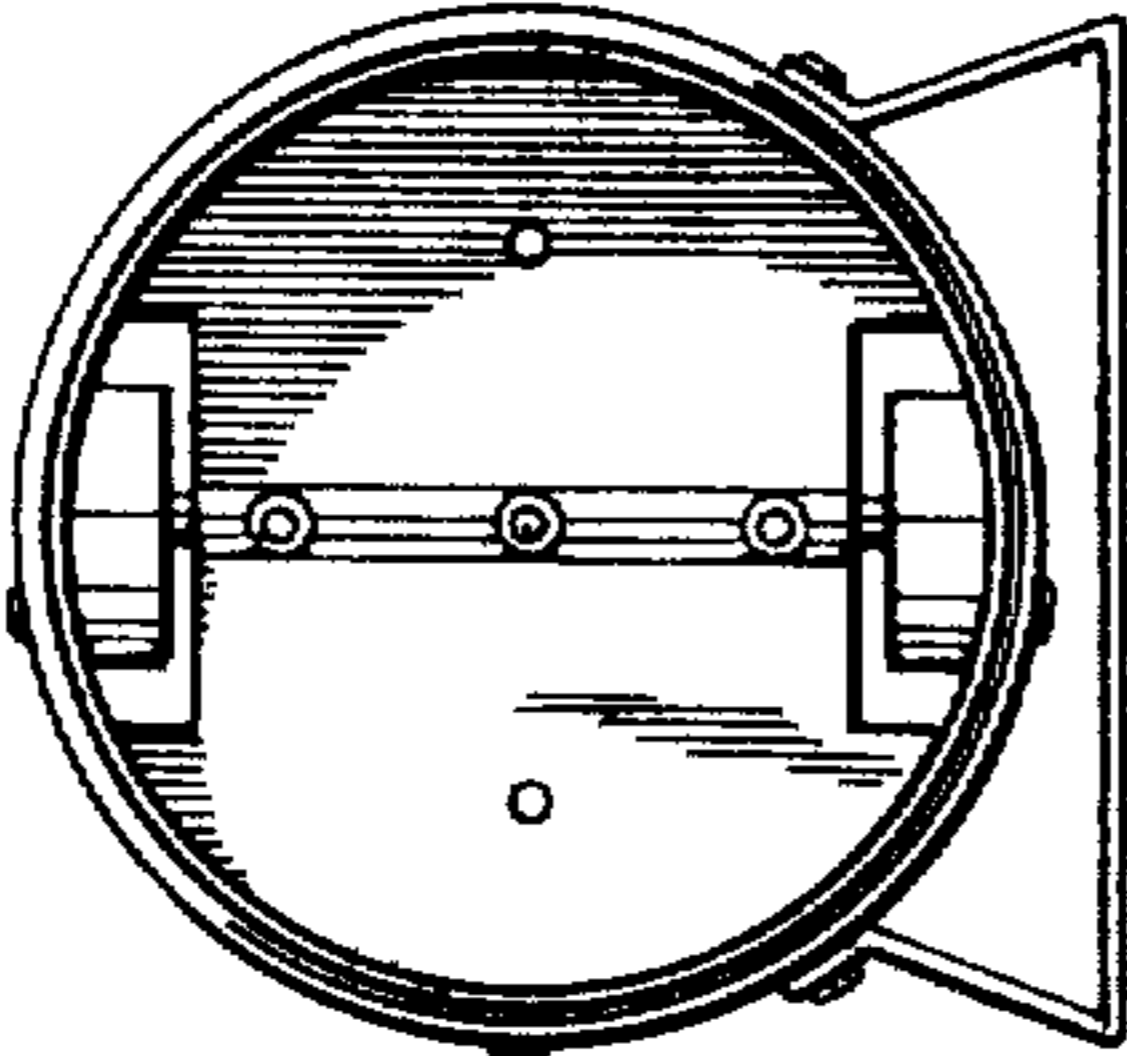


FIG-6

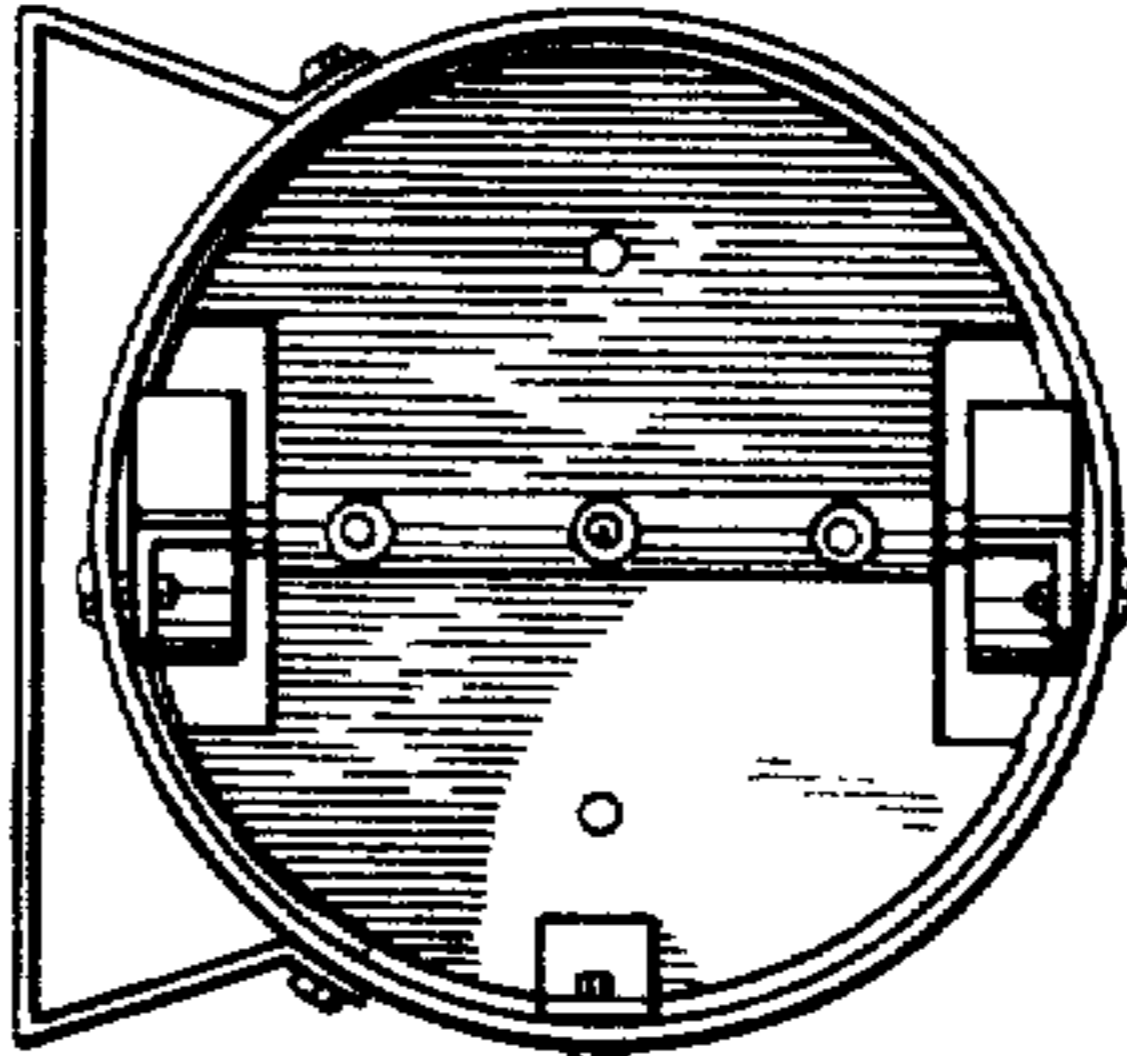


FIG-7

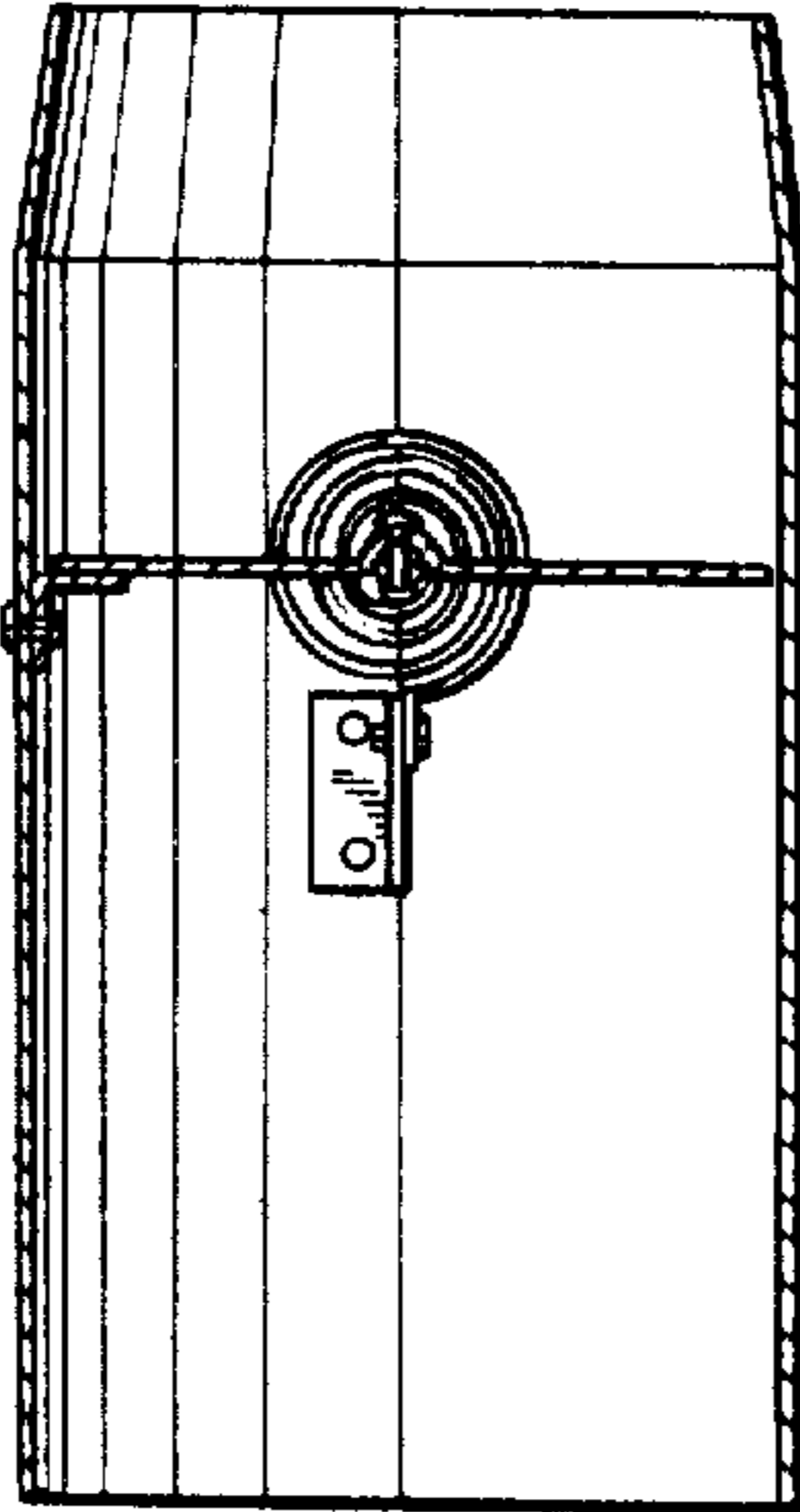


FIG-8

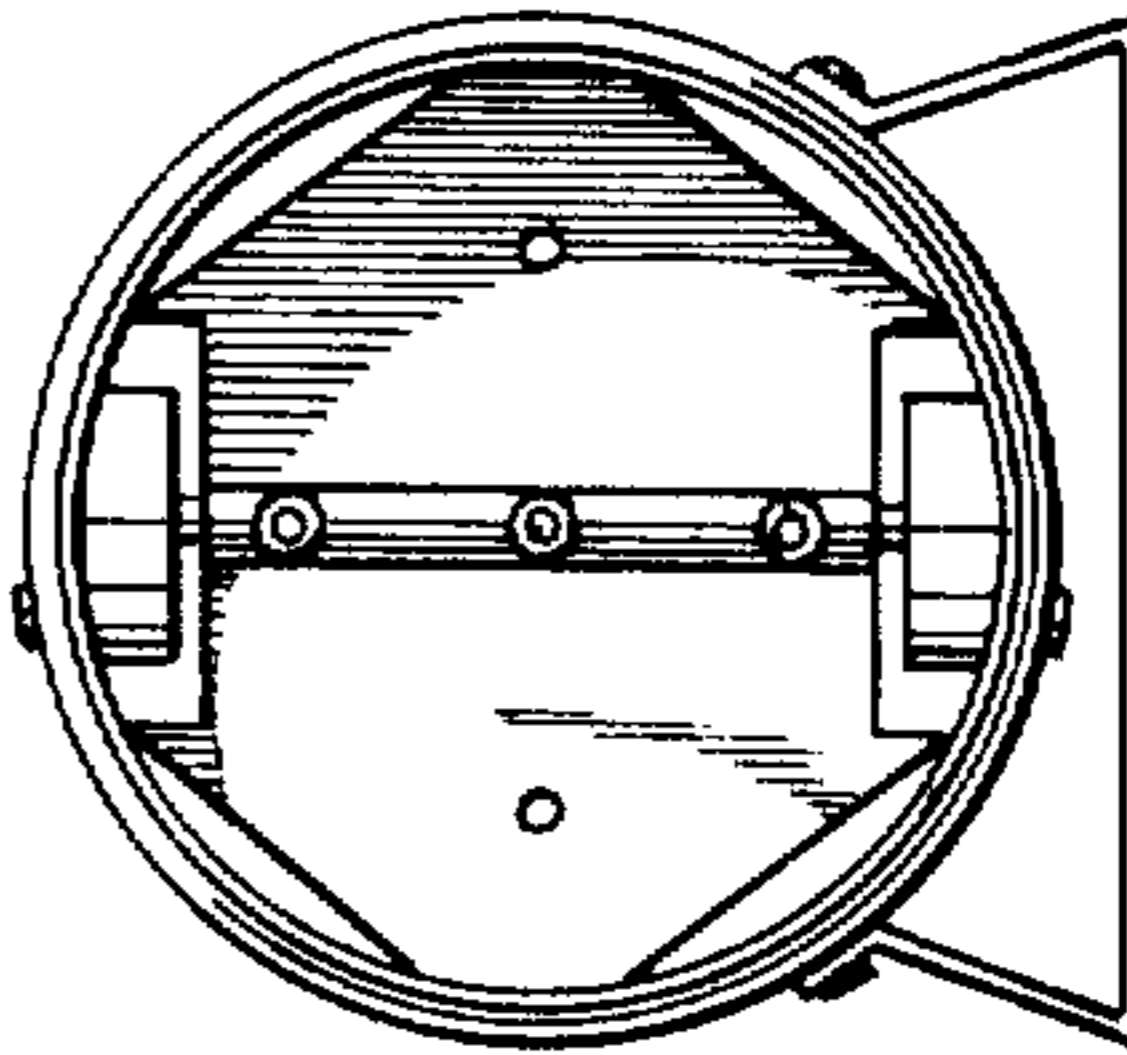


FIG-9

