

- [54] **DAMPER**
- [76] **Inventor:** John Prikkel, III, 2952 Ensley Ave., Dayton, Ohio 45414
- [**] **Term:** 14 Years
- [21] **Appl. No.:** 85,479
- [22] **Filed:** Oct. 17, 1979
- [51] **Int. Cl.** **D23—03**
- [52] **U.S. Cl.** **D23/127**
- [58] **Field of Search** D23/90, 127, 137, 138, D23/151, 152, 163, 167; 126/285 R, 285 A, 285 B, 292, 295; 236/1 G, 96; 431/20

[56] **References Cited**

U.S. PATENT DOCUMENTS

2,654,363	10/1953	Simpson	126/295 X
2,975,975	3/1961	Weber	236/49
3,580,238	5/1971	Diehl	126/295
3,934,796	1/1976	Smith, Jr. et al.	126/285.5 X
4,108,369	8/1978	Prikkel	236/1 G

Primary Examiner—James R. Largen
Attorney, Agent, or Firm—Dybvig & Dybvig

[57] **CLAIM**

The ornamental design of a damper, as shown and described.

DESCRIPTION

FIG. 1 is a perspective view of a damper showing my new design;
FIG. 2 is a front elevational view thereof;
FIG. 3 is a left side elevational view thereof; the right side being a mirror image of the left side shown;
FIG. 4 is a rear elevational view thereof;
FIG. 5 is a top plan view thereof;
FIG. 6 is a bottom plan view thereof;
FIG. 7 is a cross-sectional view taken on line 7—7 of FIG. 3;
FIG. 8 is a top plan view of a modified form of the damper shown in FIG. 1 wherein said modification resides in the peripheral shape of the damper plate; and
FIG. 9 is a bottom plan view of FIG. 8.

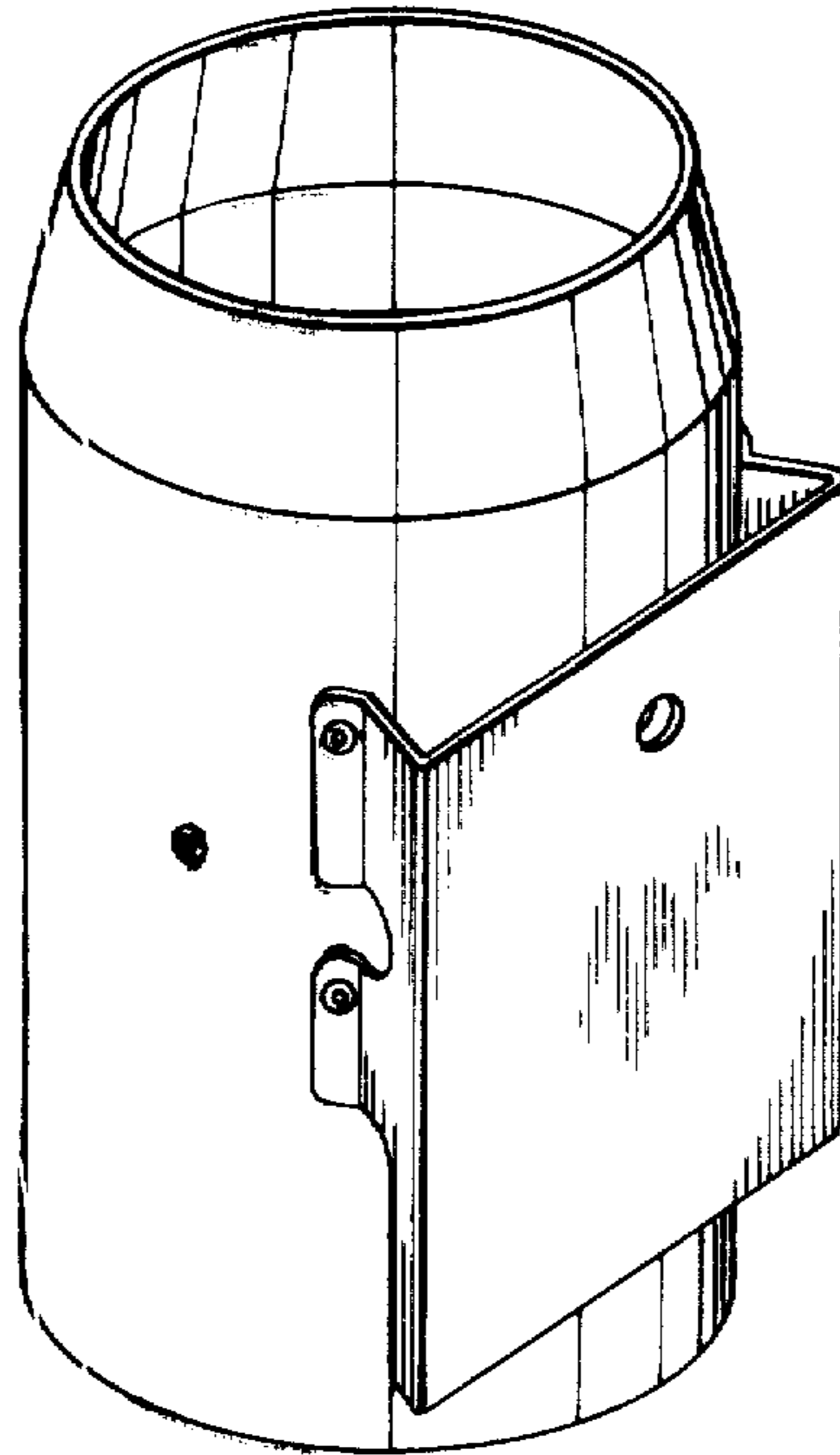


FIG-1

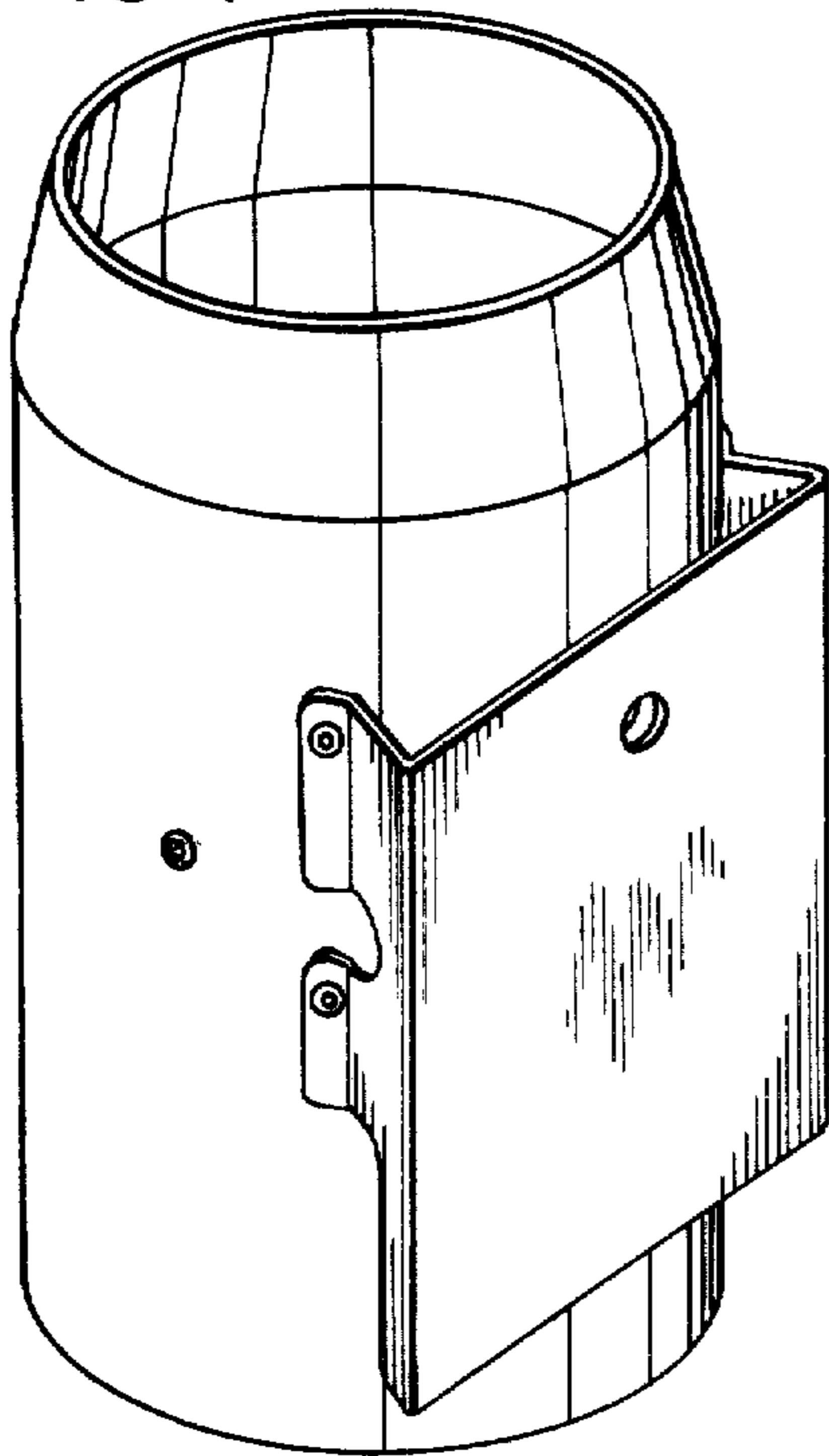
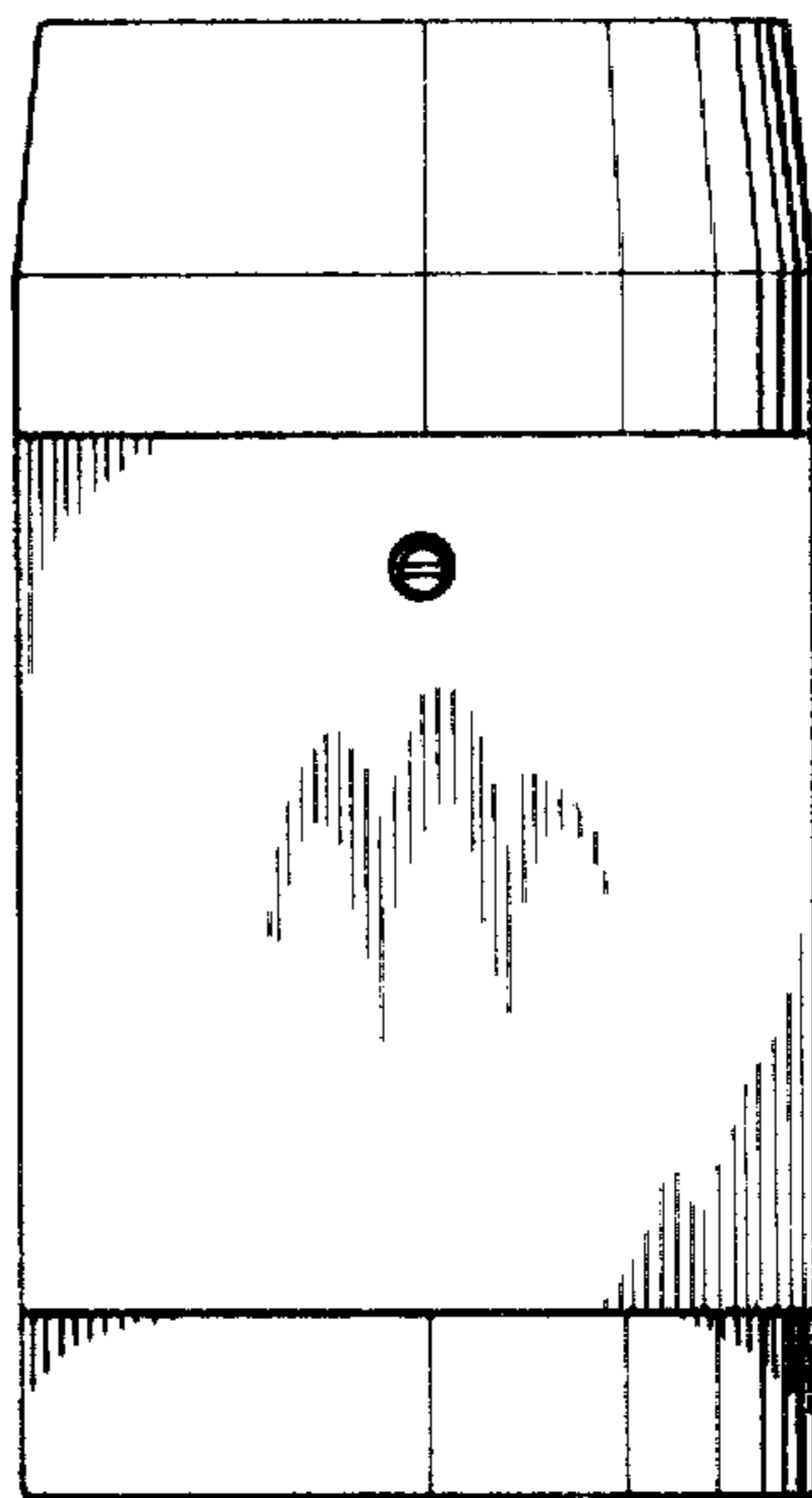
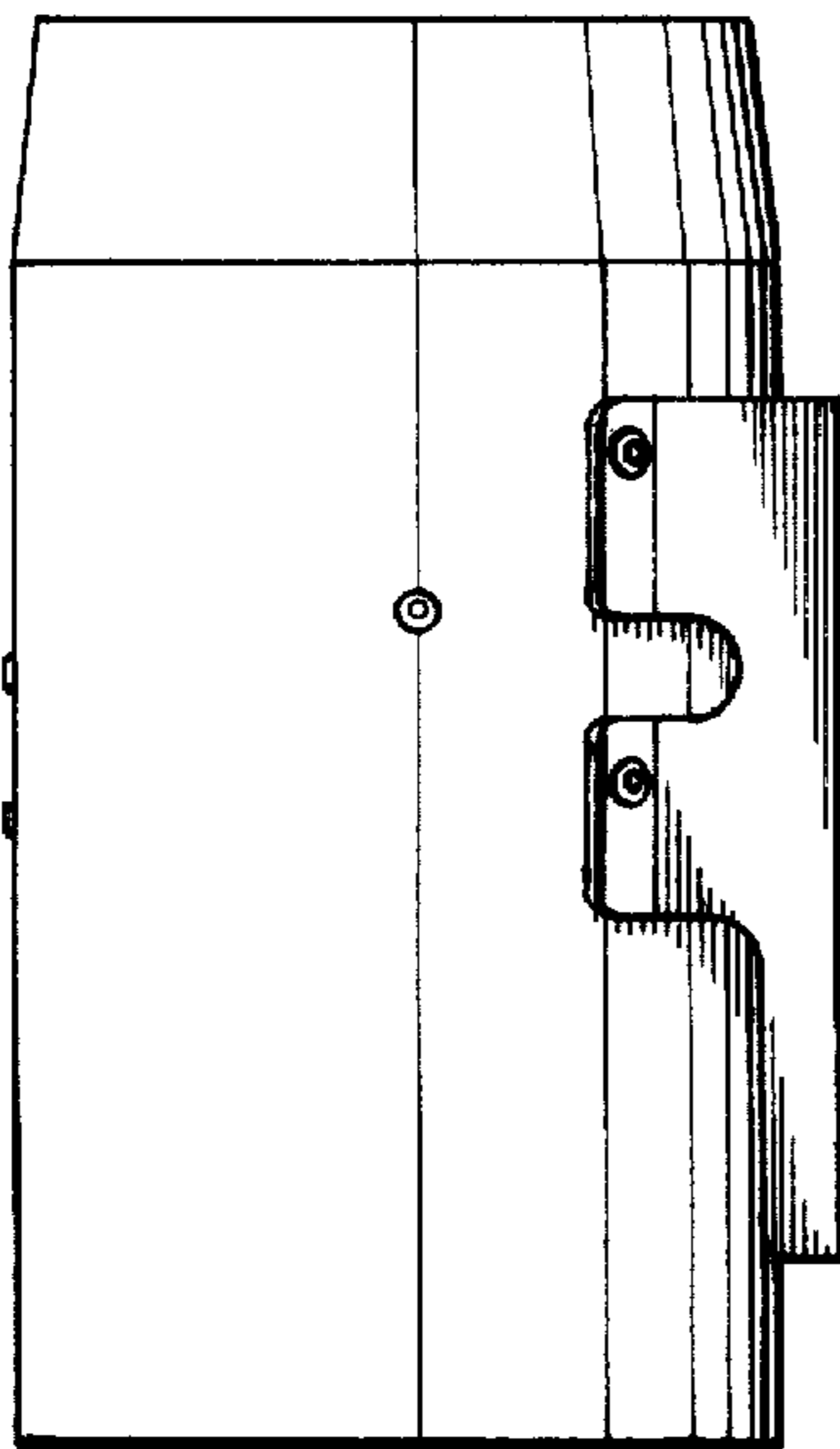


FIG-2



7 ← FIG-3



7 ←

FIG-4

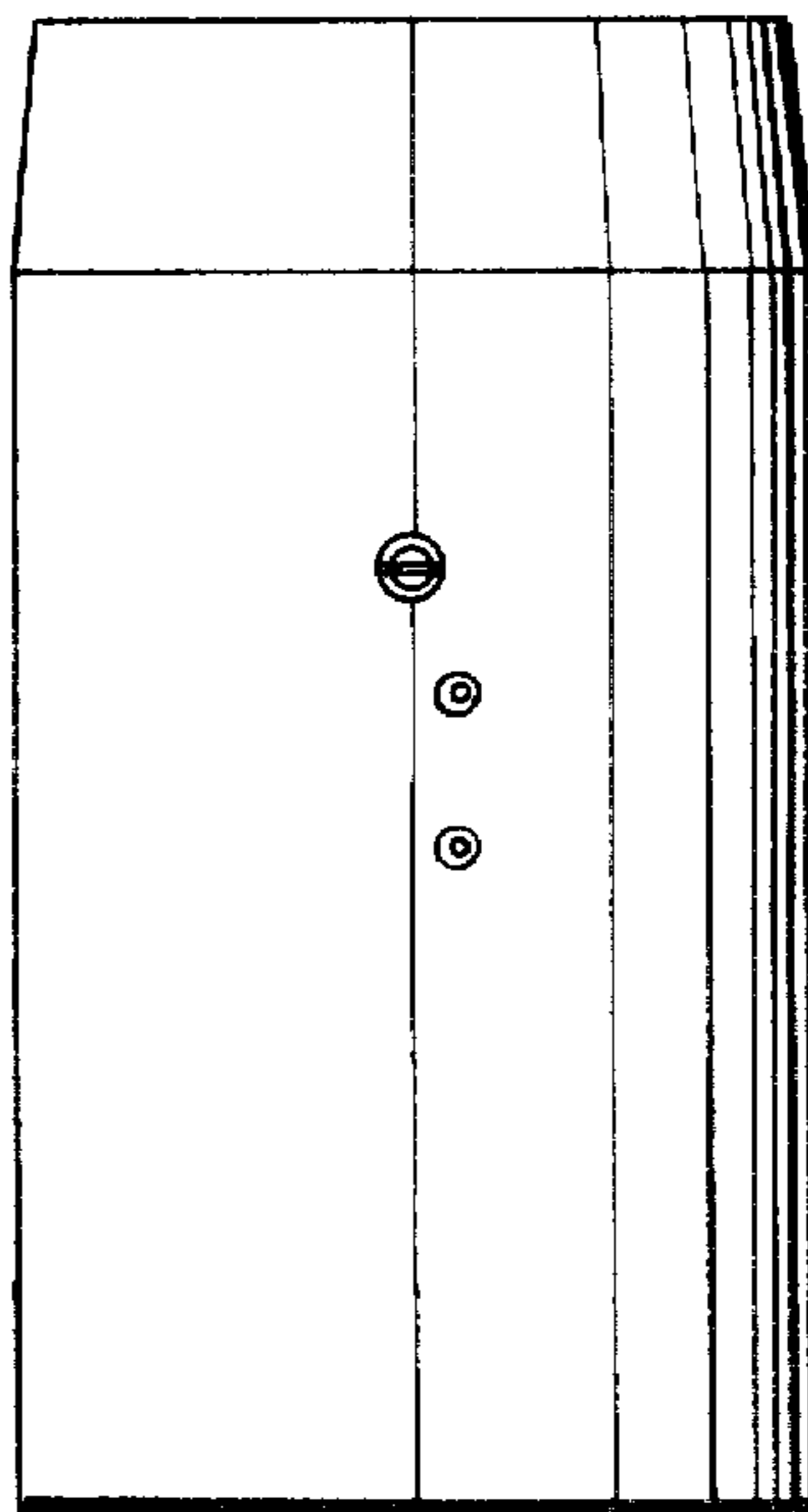


FIG-5

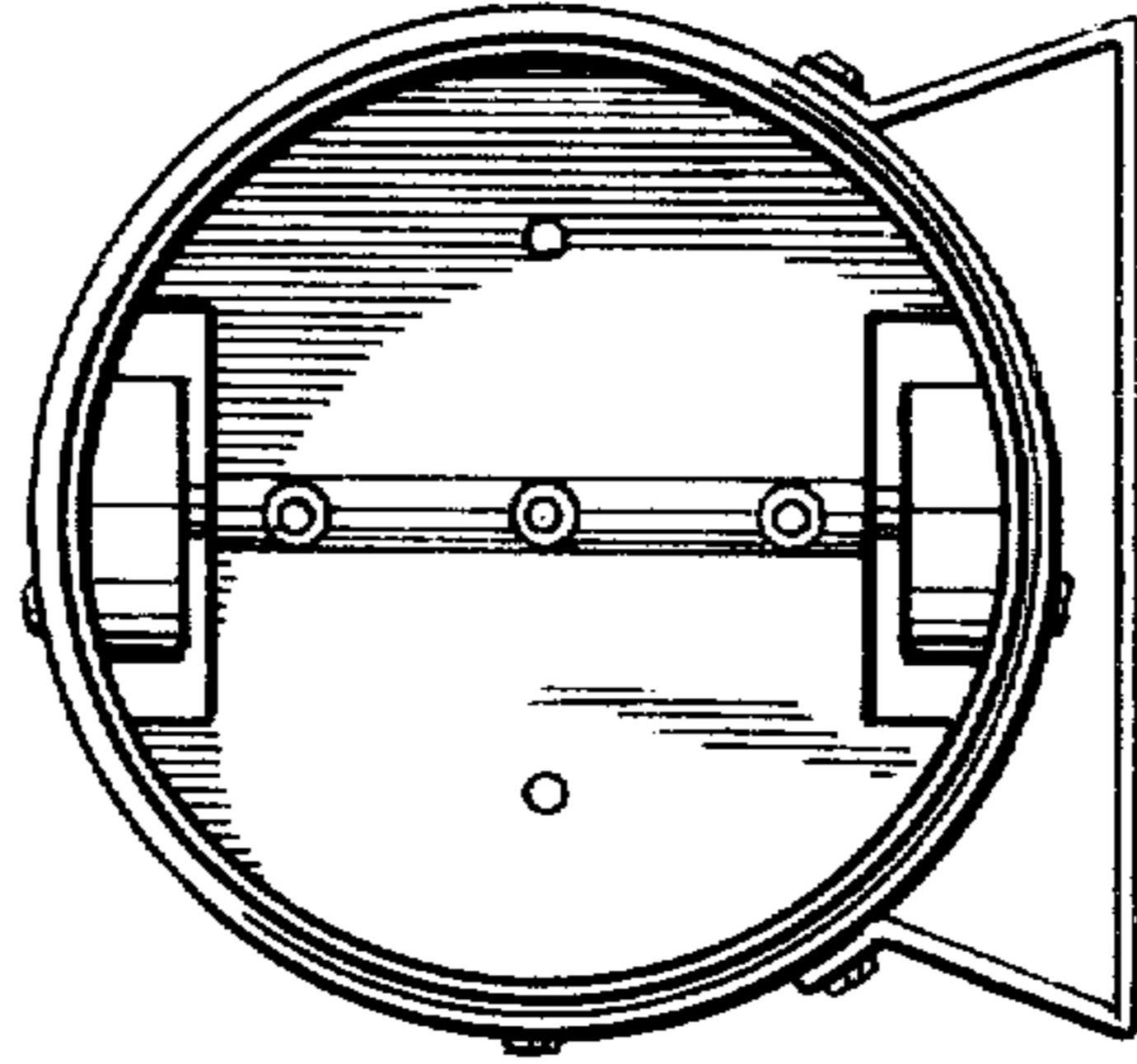


FIG-6

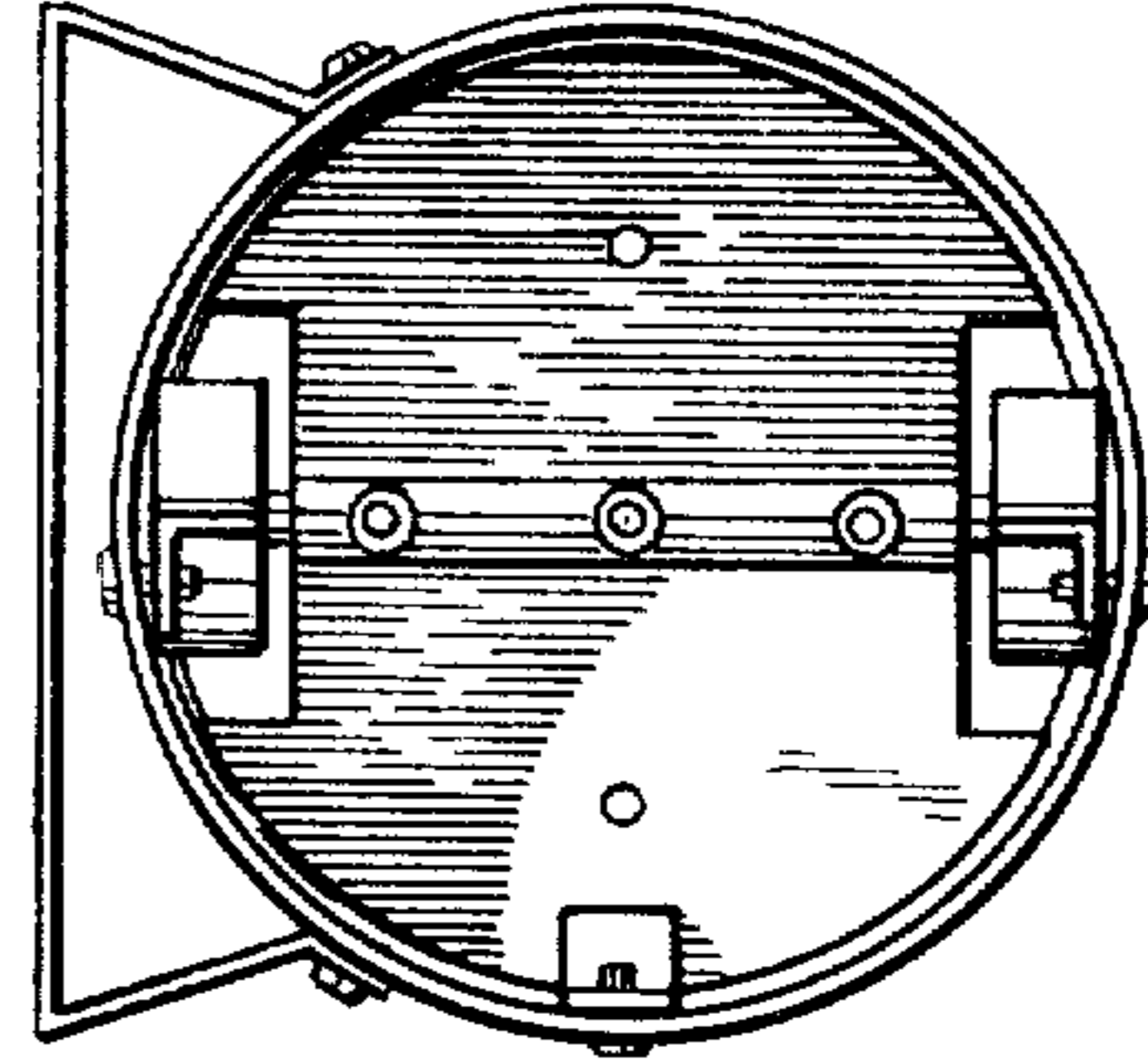


FIG-7

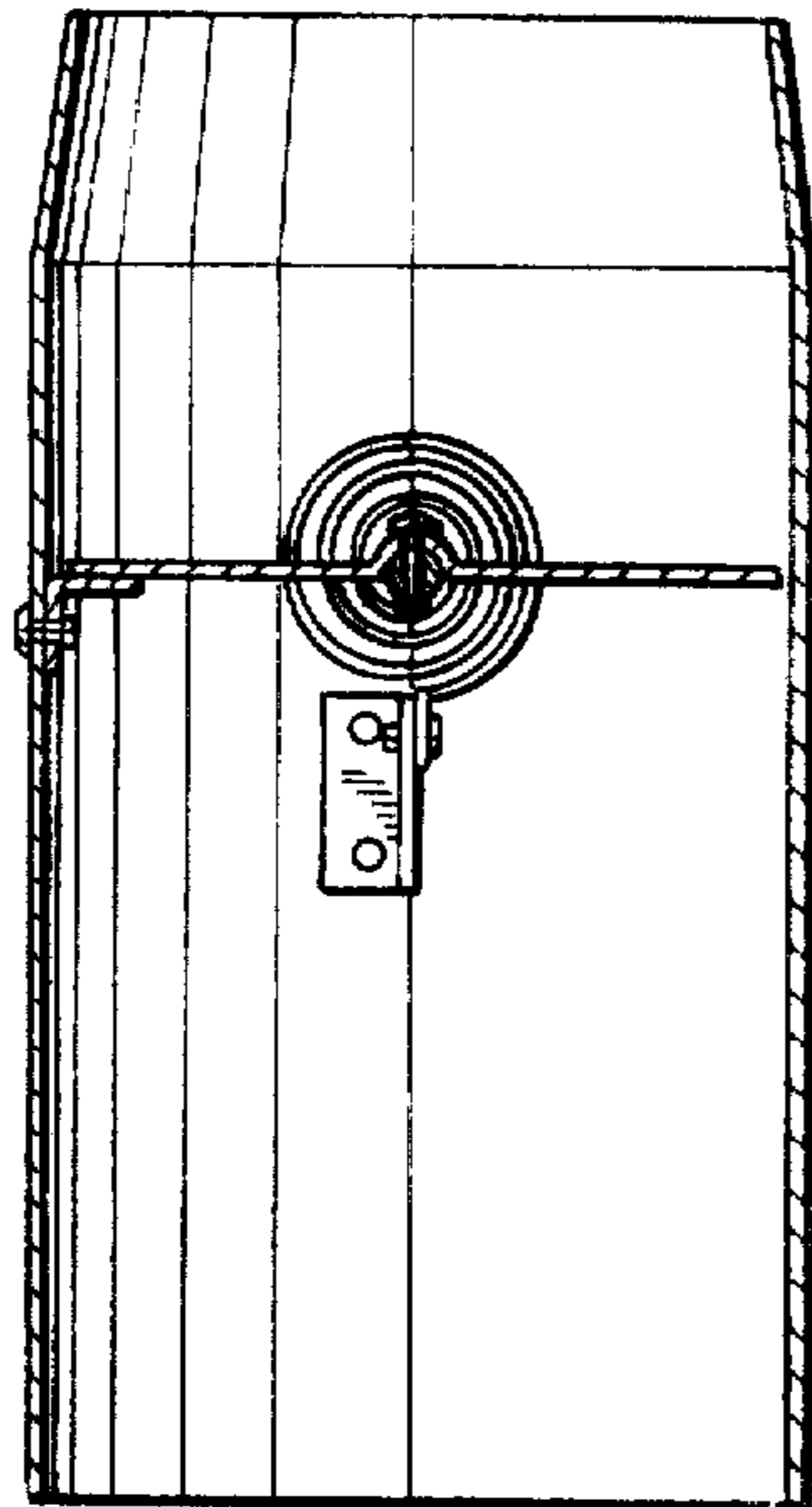


FIG-8

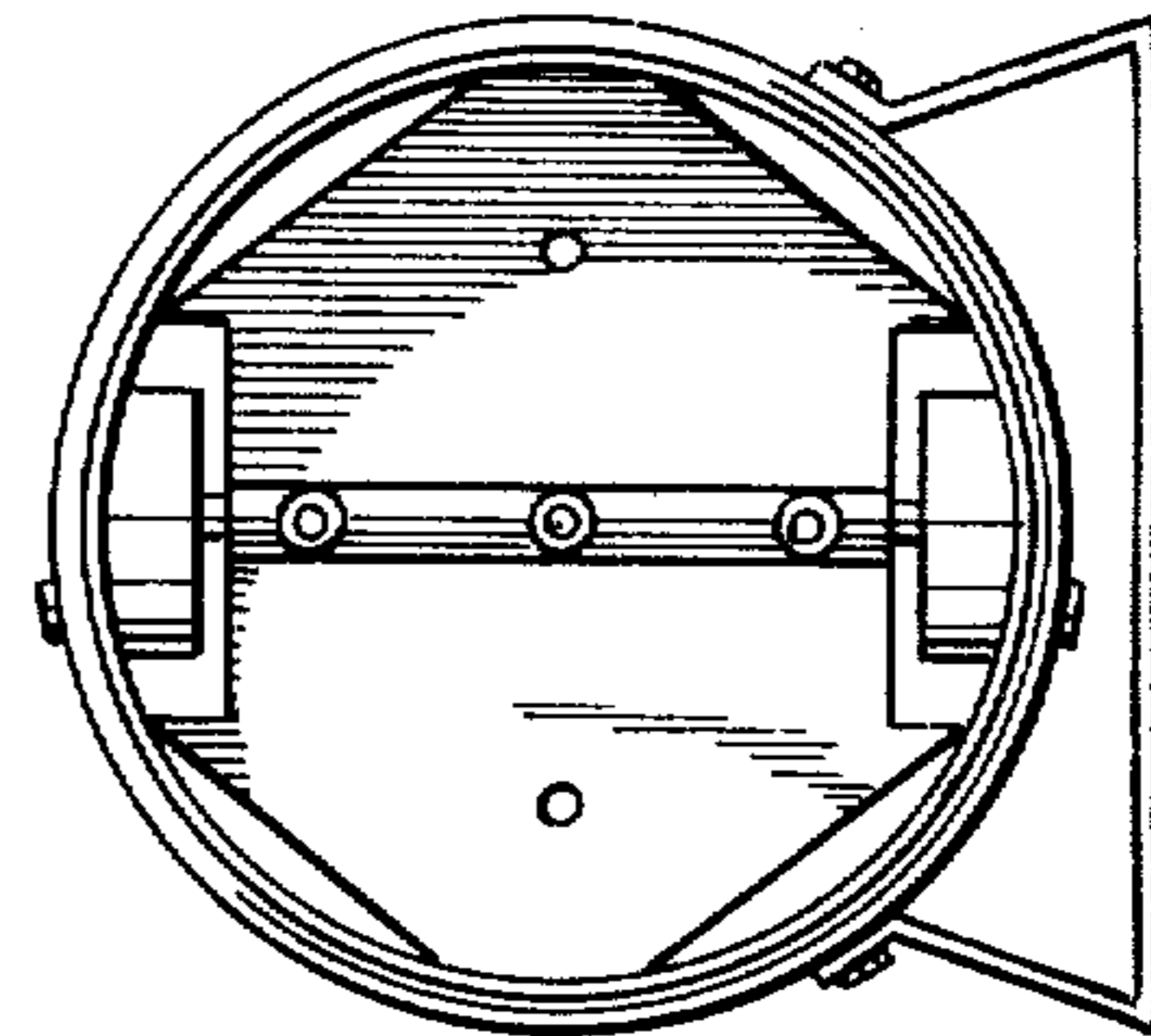


FIG-9

