

[54] PORTABLE HEATER

[75] Inventors: Eugene C. Briggs; Robert F. Shaftner, both of Bowling Green, Ky.; Harry J. Giambrone, Dayton, Ohio

[73] Assignee: Koehring Company, Brookfield, Wis.

[\*\*] Term: 14 Years

[21] Appl. No.: 56,058

[22] Filed: Jul. 9, 1979

[51] Int. Cl. .... D23-03

[52] U.S. Cl. .... D23/123

[58] Field of Search ..... D23/93, 122, 123, 124; 219/366, 369

[56] References Cited

U.S. PATENT DOCUMENTS

D. 164,613 9/1951 Wahlberg et al. .... D23/124

D. 201,165 5/1965 Briggs ..... D23/124  
D. 256,273 8/1980 Townsend et al. .... D23/124

Primary Examiner—Catherine E. Kemper  
Attorney, Agent, or Firm—Jerome P. Bloom

[57] CLAIM

The ornamental design for portable heater, substantially as shown and described.

DESCRIPTION

FIG. 1 is a top front perspective view thereof of a portable heater, showing our new design;  
FIG. 2 is a left side elevation view thereof;  
FIG. 3 is a top view thereof;  
FIG. 4 is a right side elevation view thereof;  
FIG. 5 is a bottom view thereof;  
FIG. 6 is a rear elevation view thereof;  
FIG. 7 is a front elevation view thereof; and  
FIG. 8 is a rear elevational view of a second embodiment of a portable heater.

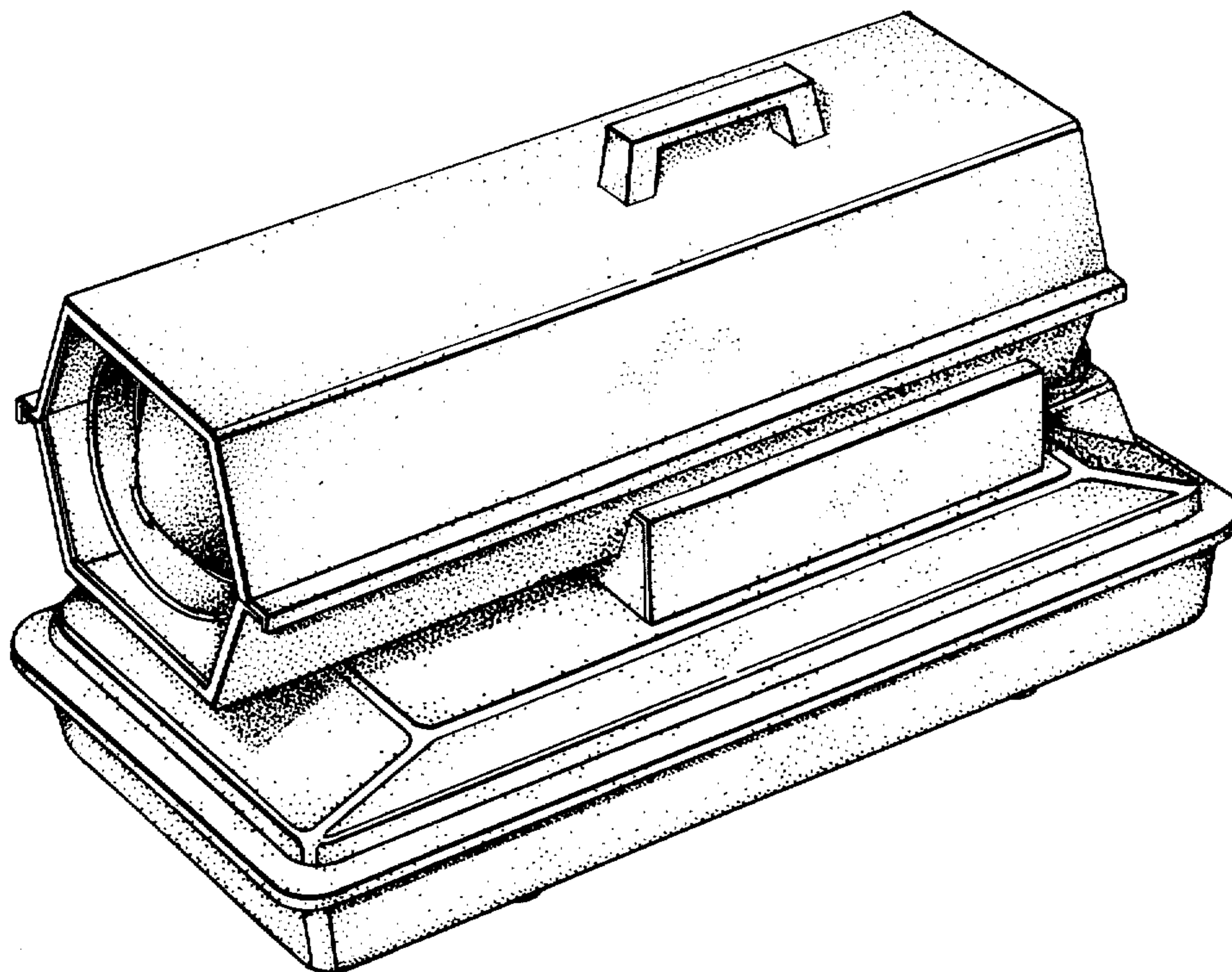


FIG-1

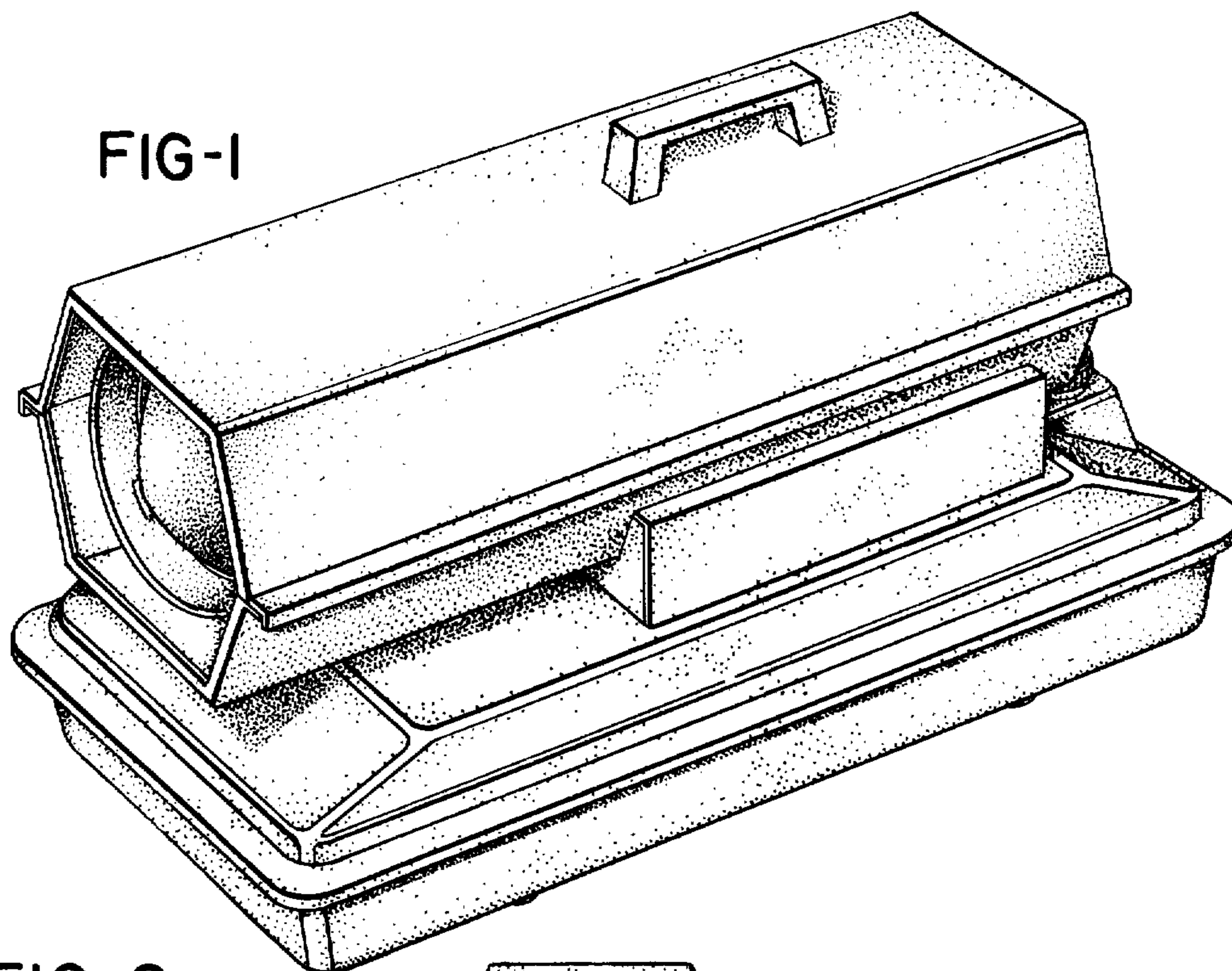


FIG-2

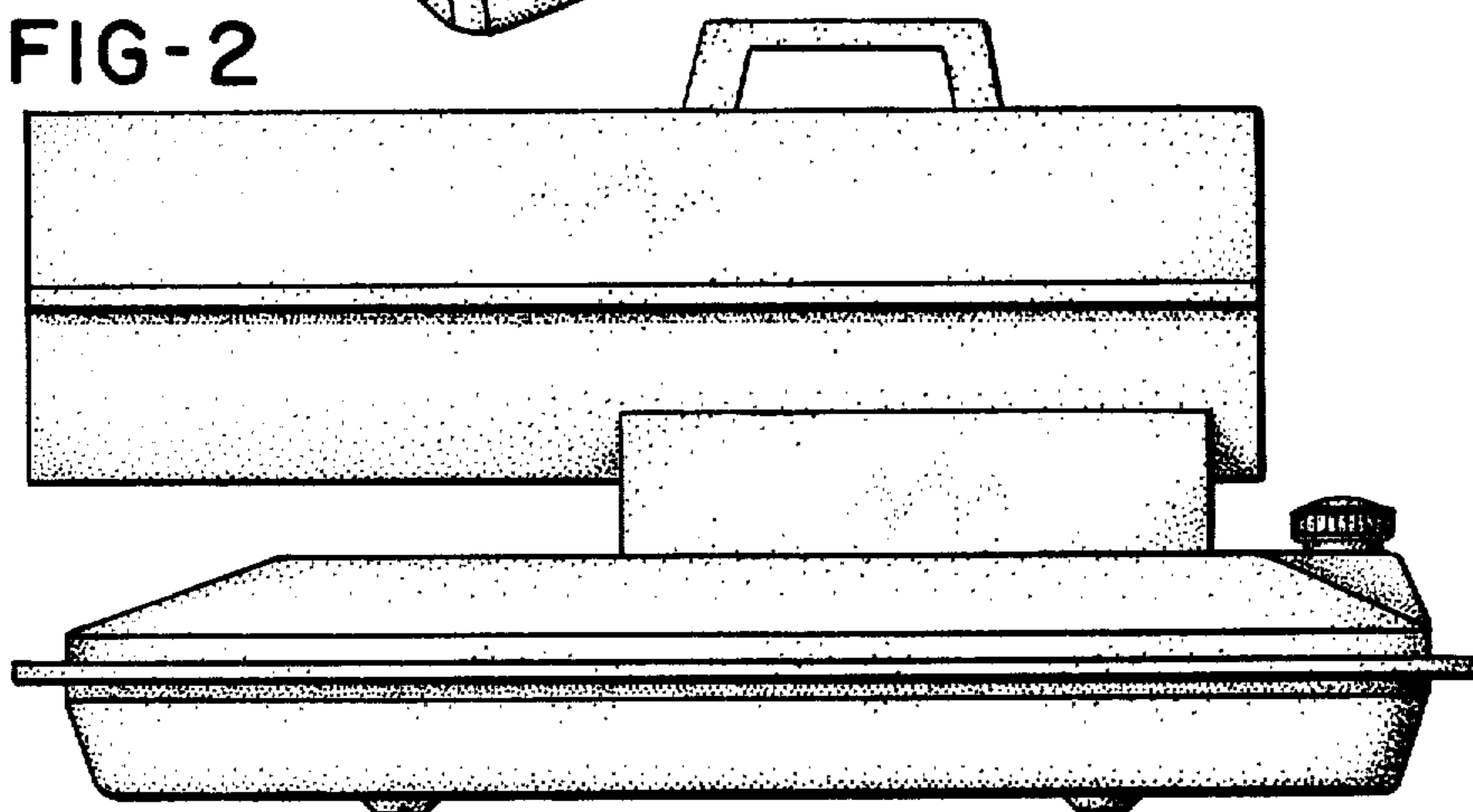


FIG-3

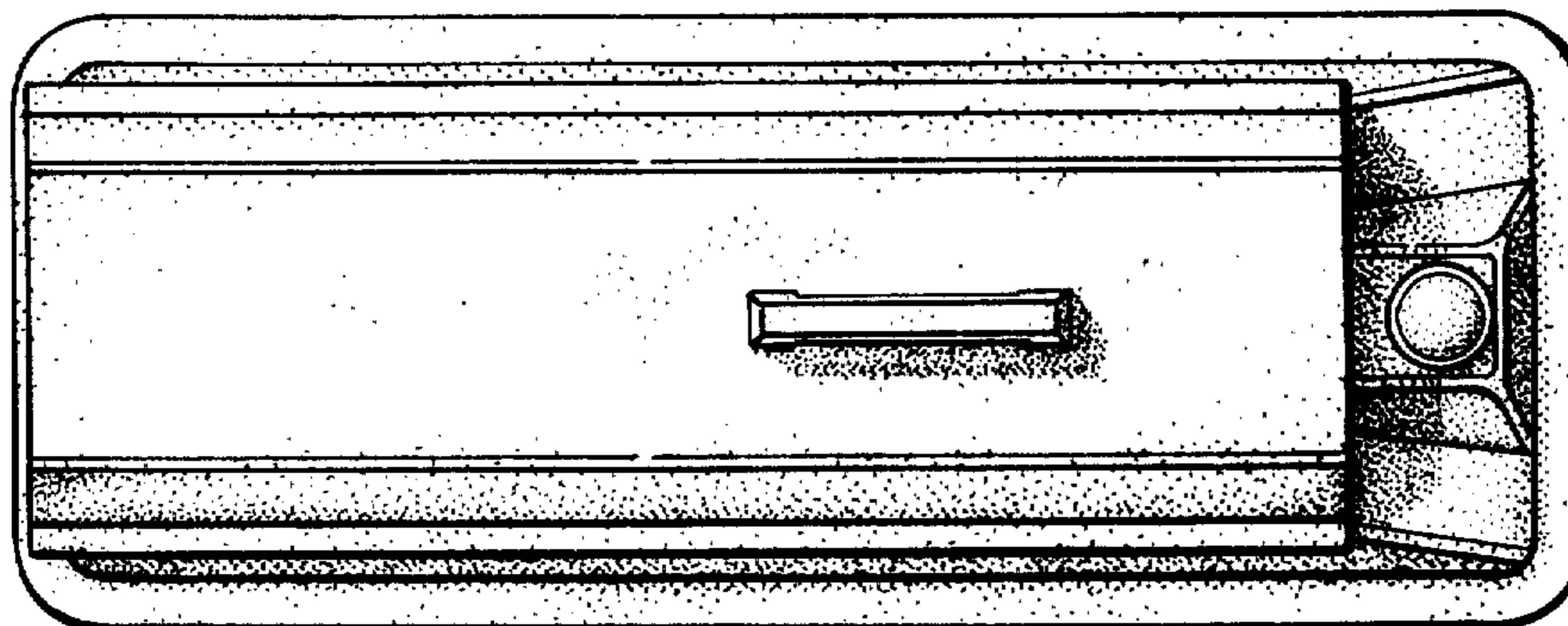




FIG-4

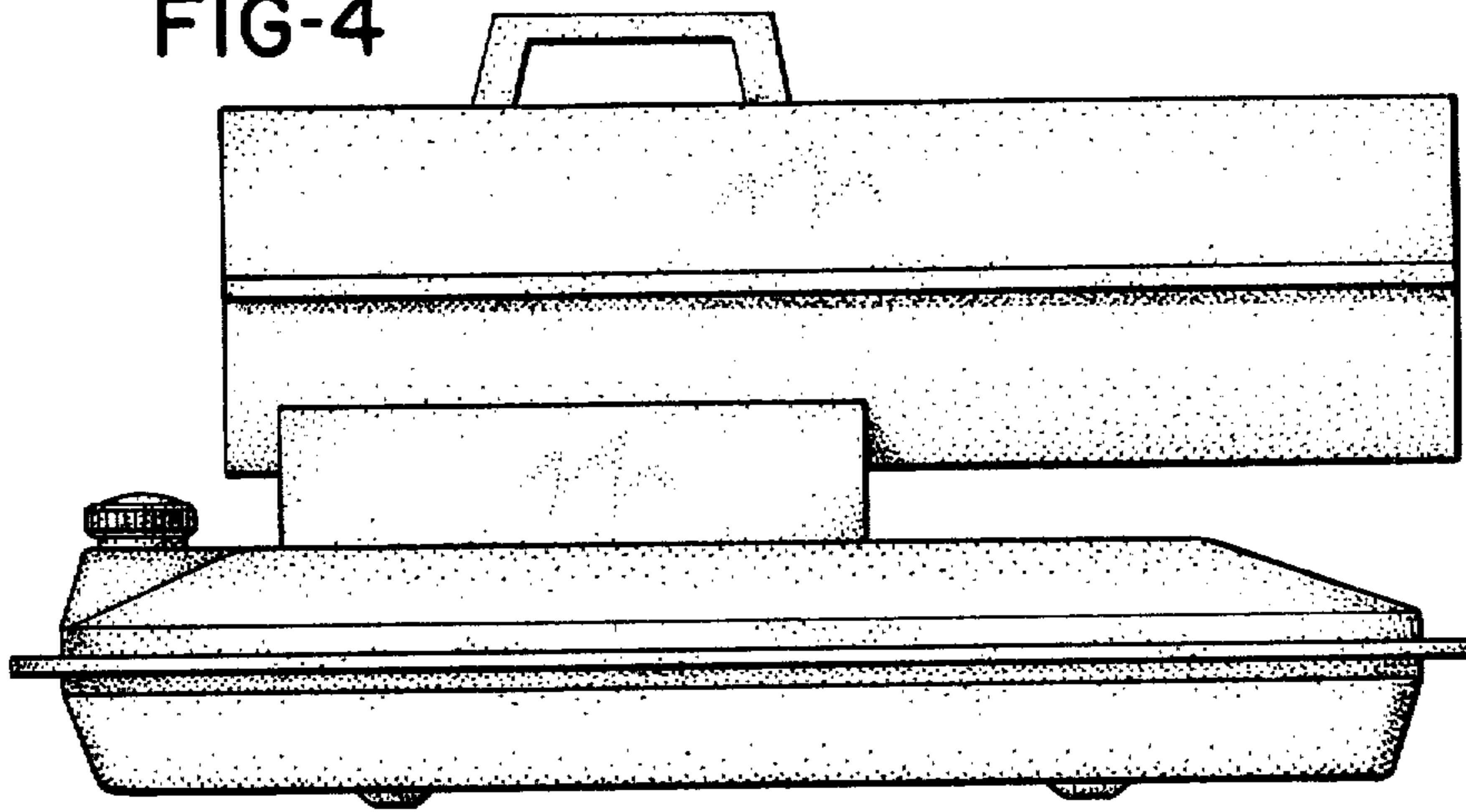


FIG-5

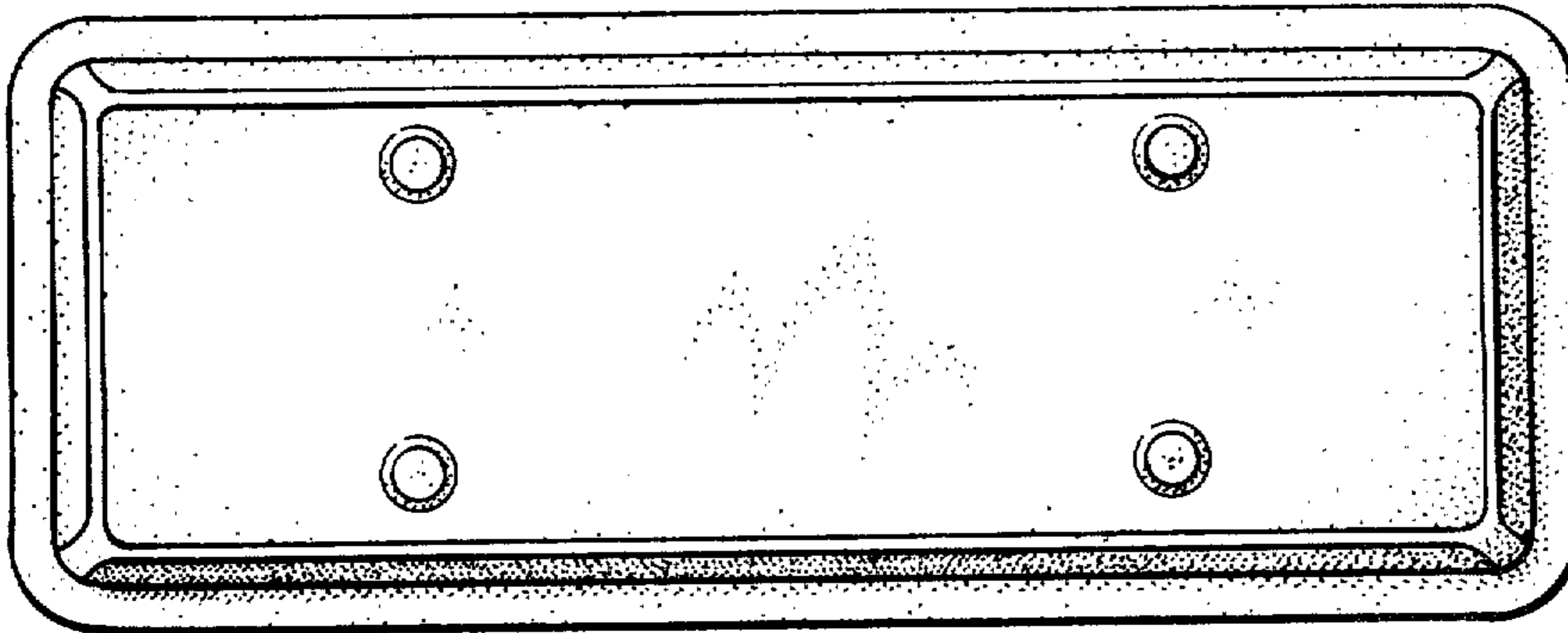


FIG-6

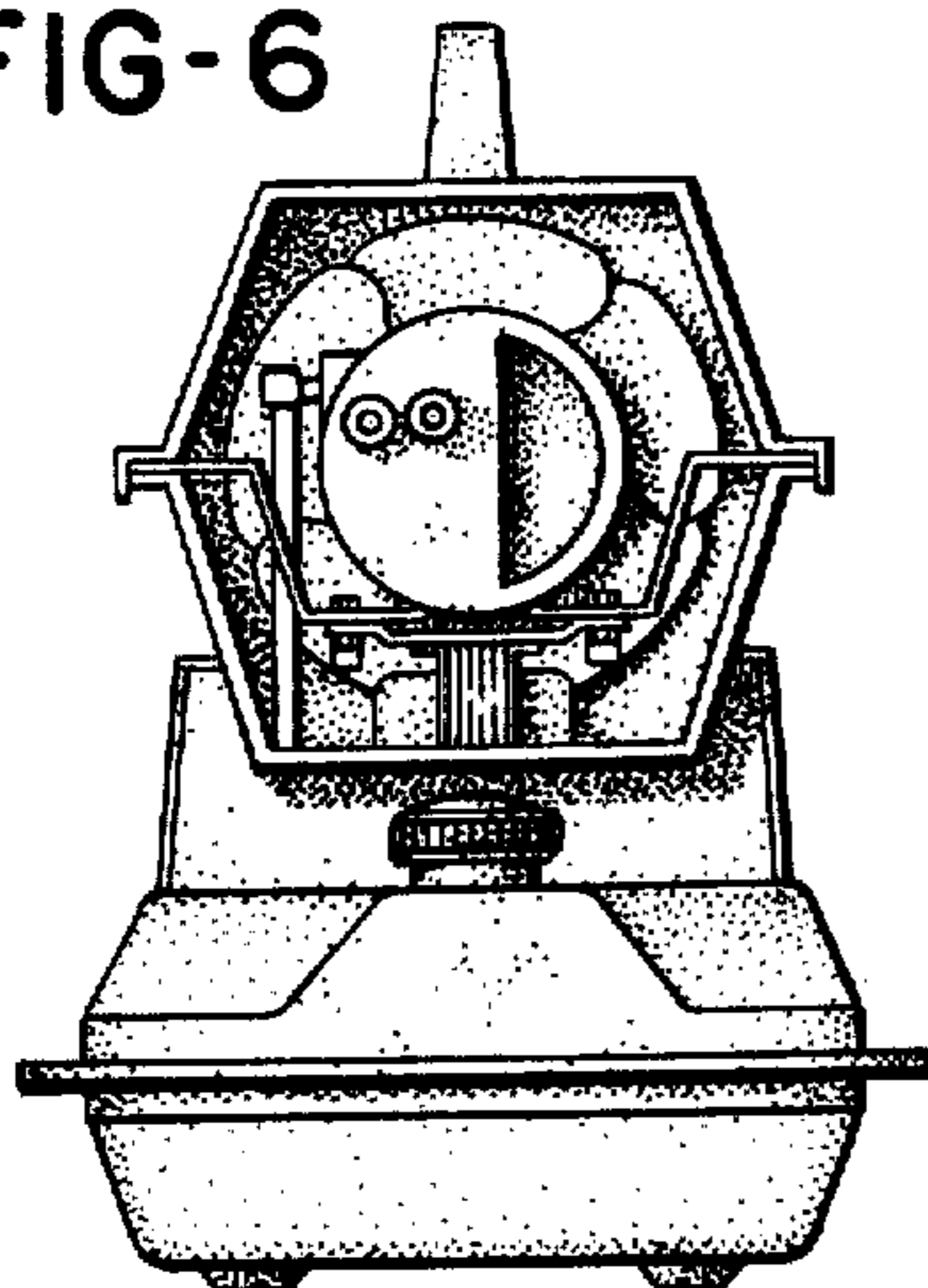


FIG-7

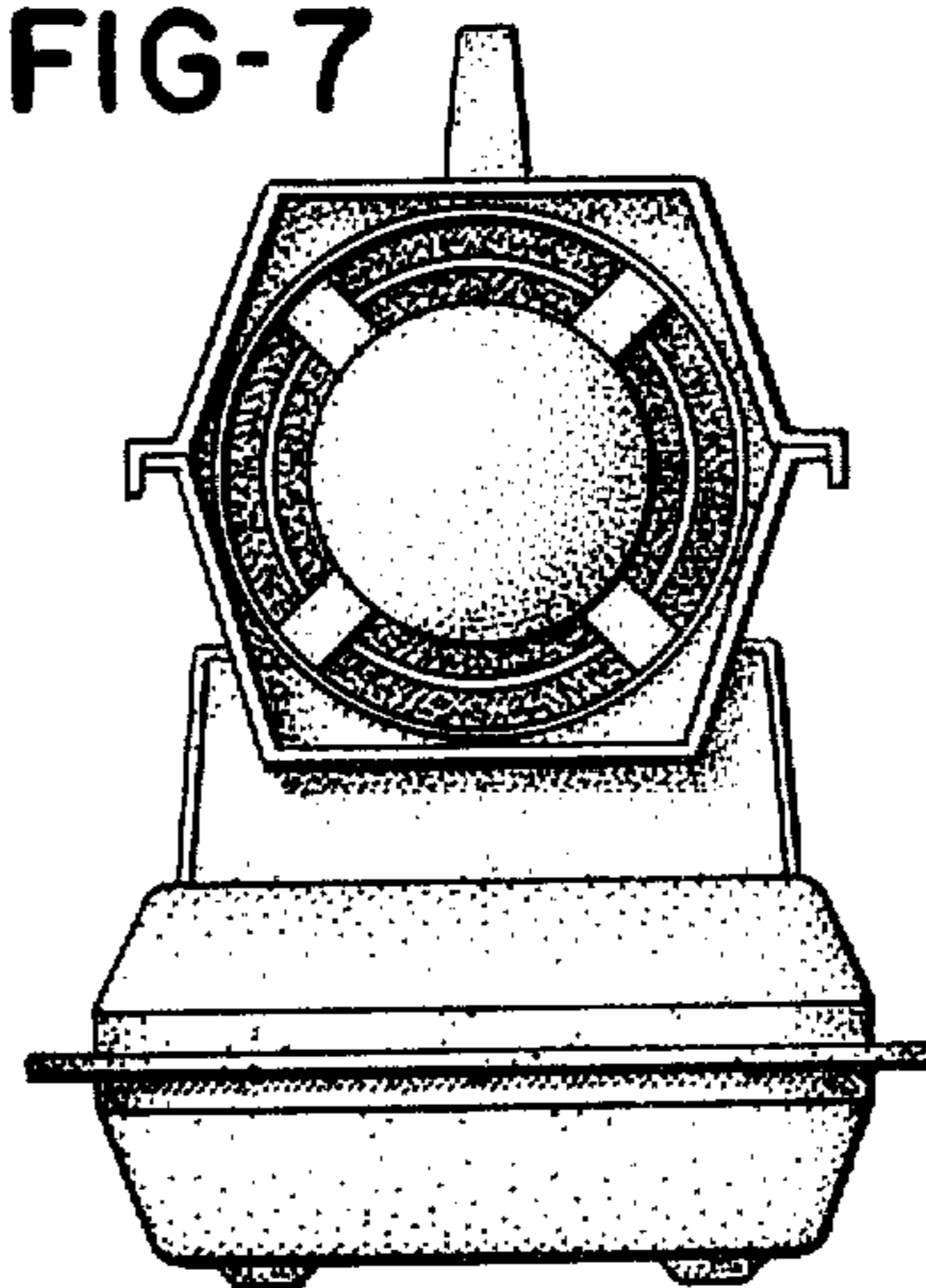


FIG-8

