

[54] ROLLING WHEEL TOY

[76] Inventor: Melvin R. Andrews, Rte. 1, Box 303-A3, Corvallis, Oreg. 97330

[**] Term: 14 Years

[21] Appl. No.: 108,544

[22] Filed: Dec. 31, 1979

[51] Int. Cl. D21-01

[52] U.S. Cl. D21/240; D21/59

[58] Field of Search D21/59, 240; 46/45, 46/234, 235; 273/120 R

[56] References Cited

U.S. PATENT DOCUMENTS

3,249,358 5/1966 Kessler 273/120 R

3,783,550 1/1974 Andrews 46/45
4,028,818 6/1977 Warner et al. 273/120 R

Primary Examiner—Melvin B. Feifer
Attorney, Agent, or Firm—Oliver D. Olson

[57] CLAIM

The ornamental design for a rolling wheel toy, as shown.

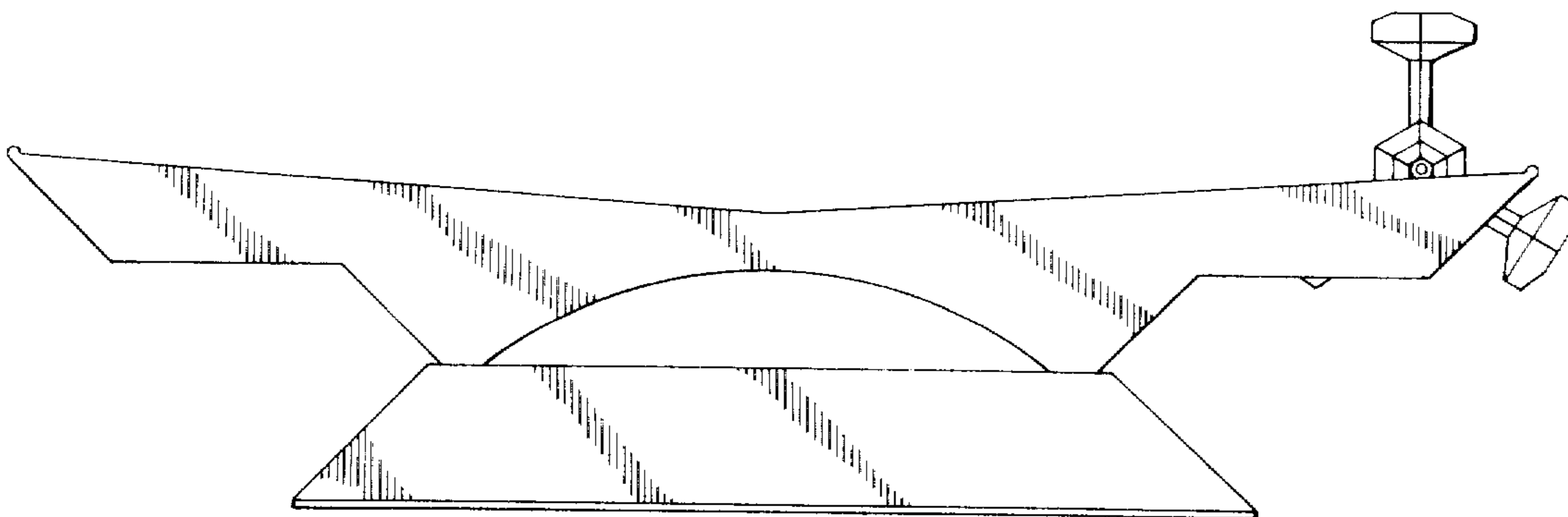
DESCRIPTION

FIG. 1 is a top plan view of a rolling wheel toy, showing my new design.

FIG. 2 is a side elevation as viewed from the bottom in FIG. 1.

FIG. 3 is an end elevation as viewed from the right in FIG. 2.

FIG. 4 is a bottom plan view as viewed from the bottom in FIG. 2.



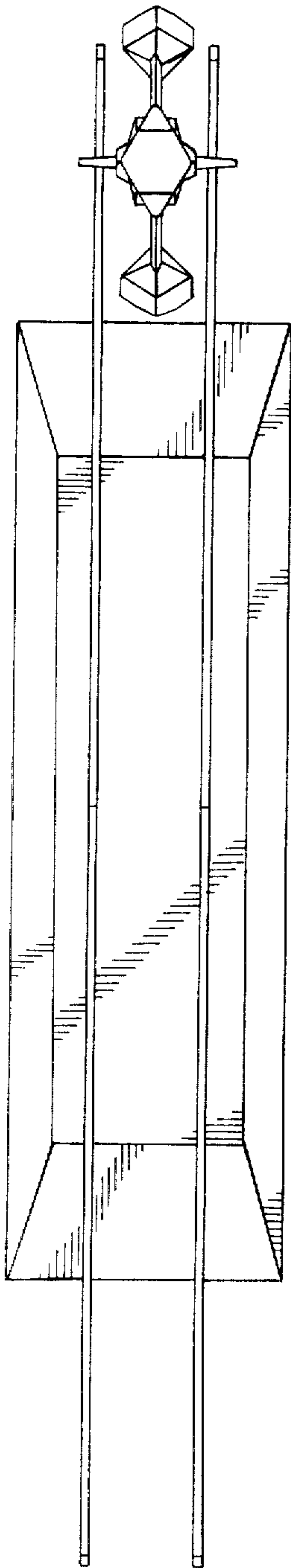


Fig. 1.

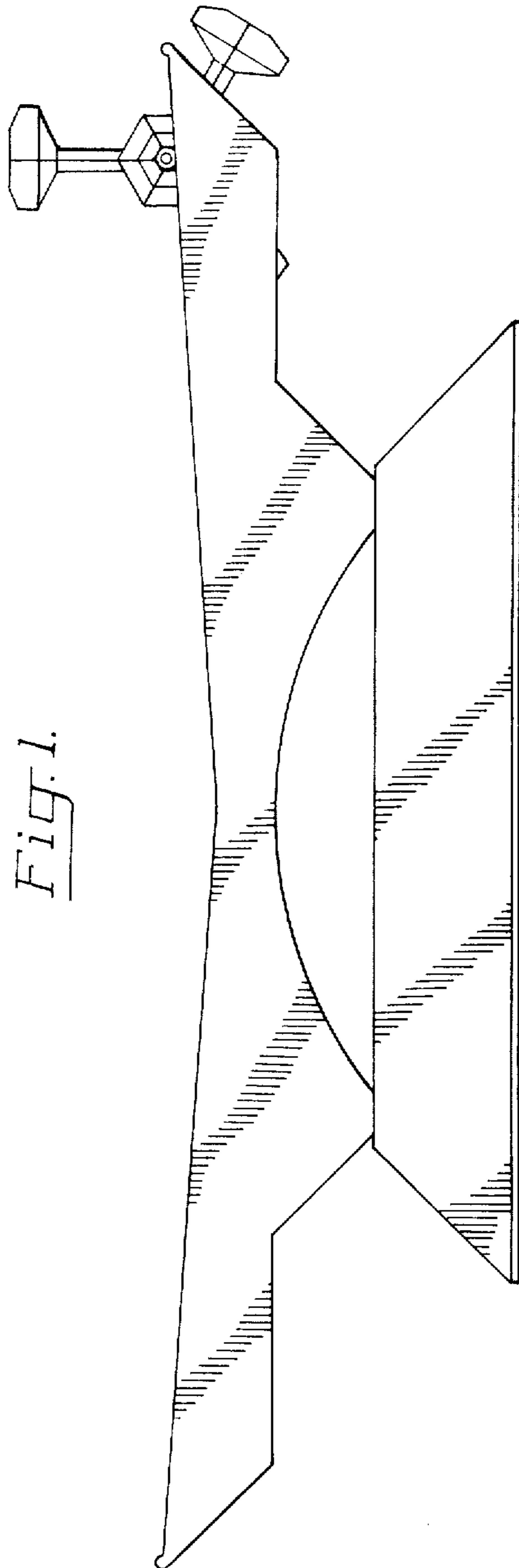


Fig. 2.

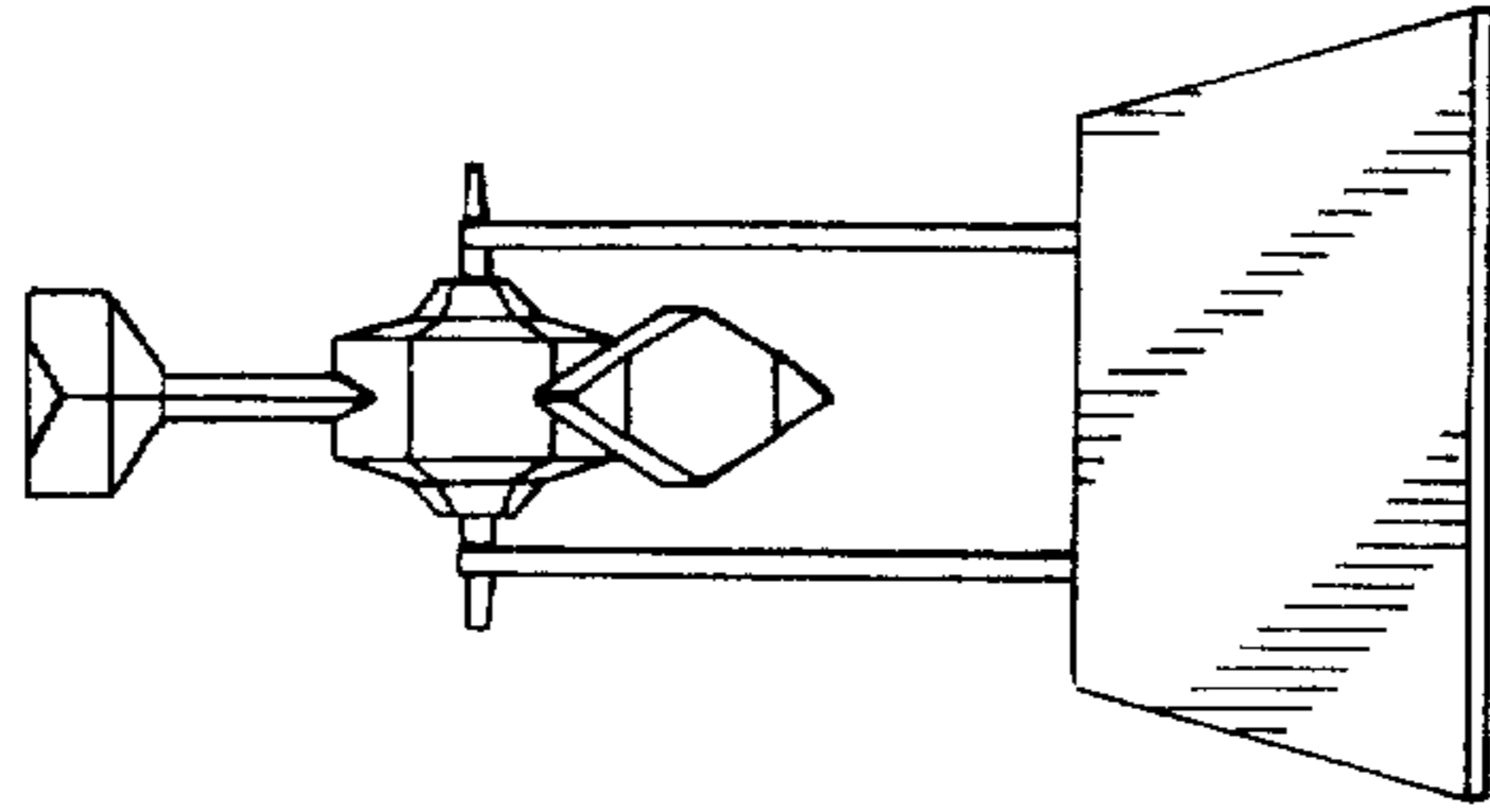


Fig. 3.

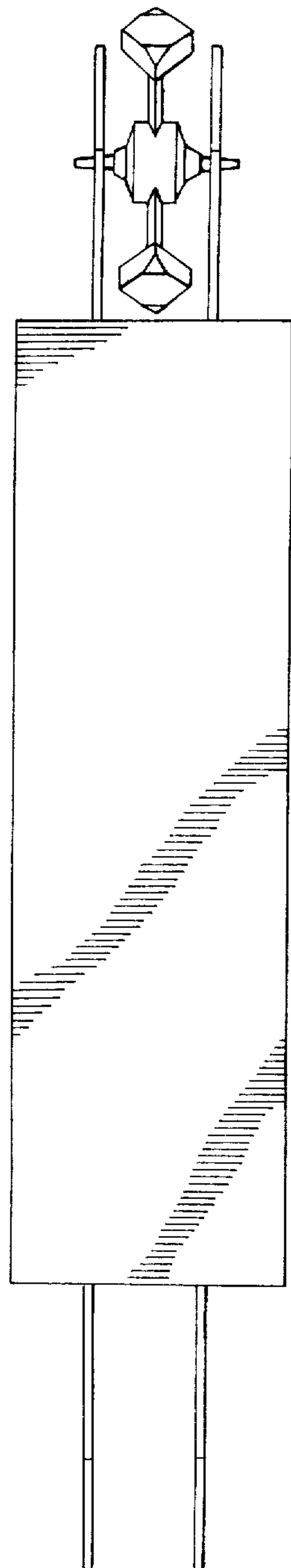


Fig. 4.