

[54] ILLUMINATED BALL OR THE LIKE

[56]

References Cited

U.S. PATENT DOCUMENTS

[76] Inventor: William P. Pazurek, 5634 El Canon, Woodland Hills, Calif. 91367

2,938,727	5/1960	Nosak	46/87
3,679,212	7/1972	Smith	273/58 B
4,008,526	2/1977	Swett et al.	46/11

[\*\*] Term: 14 Years

Primary Examiner—Charles A. Rademaker  
Attorney, Agent, or Firm—Poms, Smith, Lande & Rose

[21] Appl. No.: 953,570

[57] CLAIM

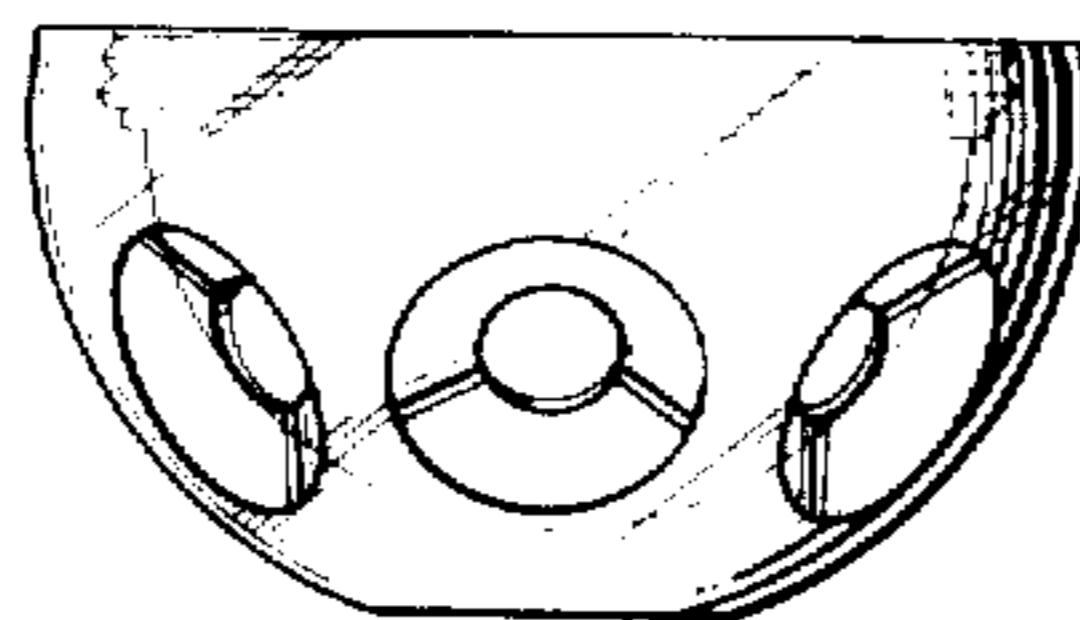
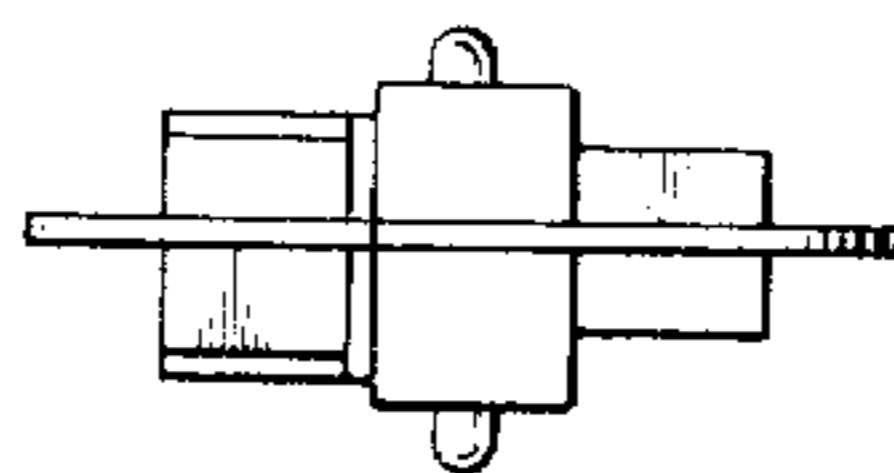
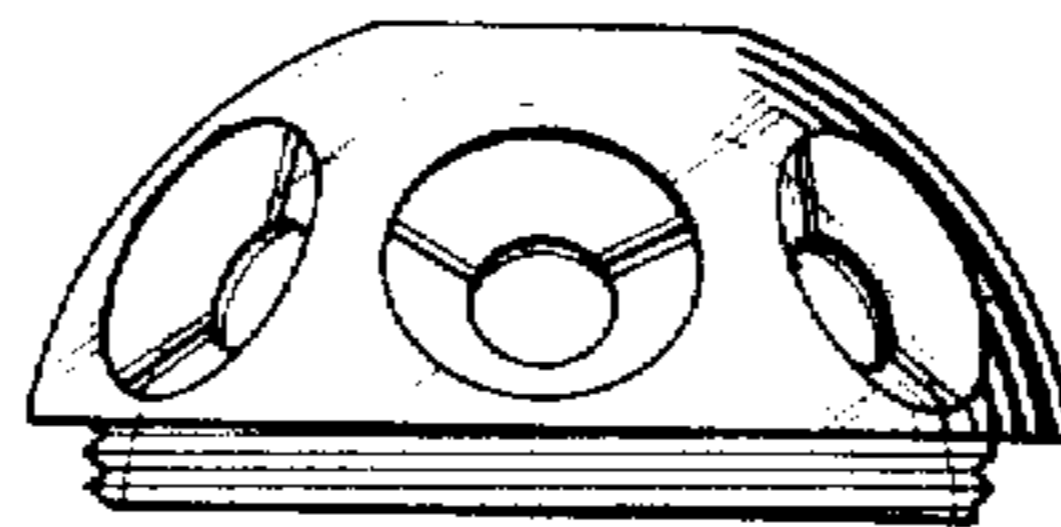
The ornamental design for an illuminated ball or the like, substantially as shown and described.

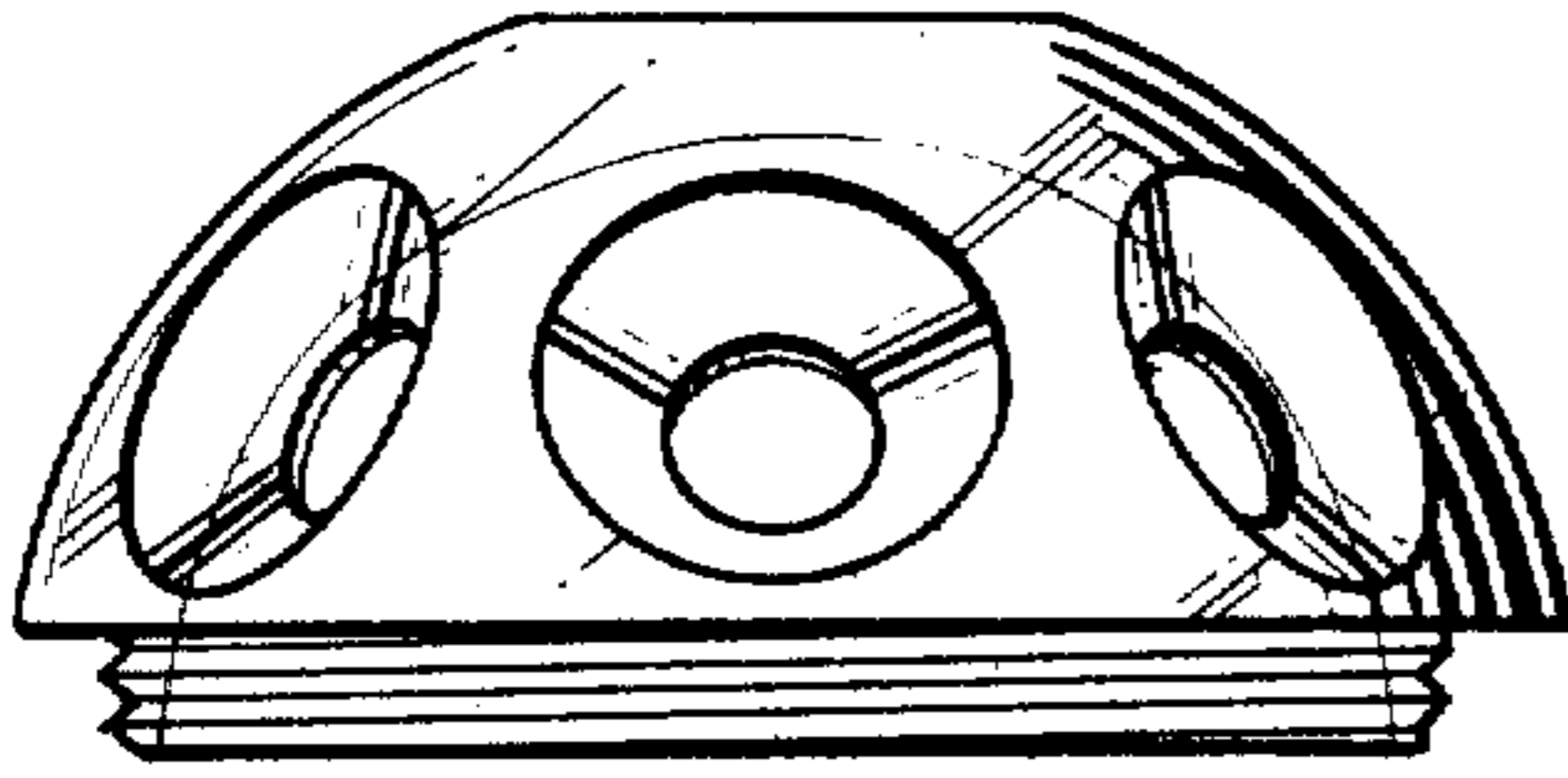
[22] Filed: Oct. 23, 1978

DESCRIPTION

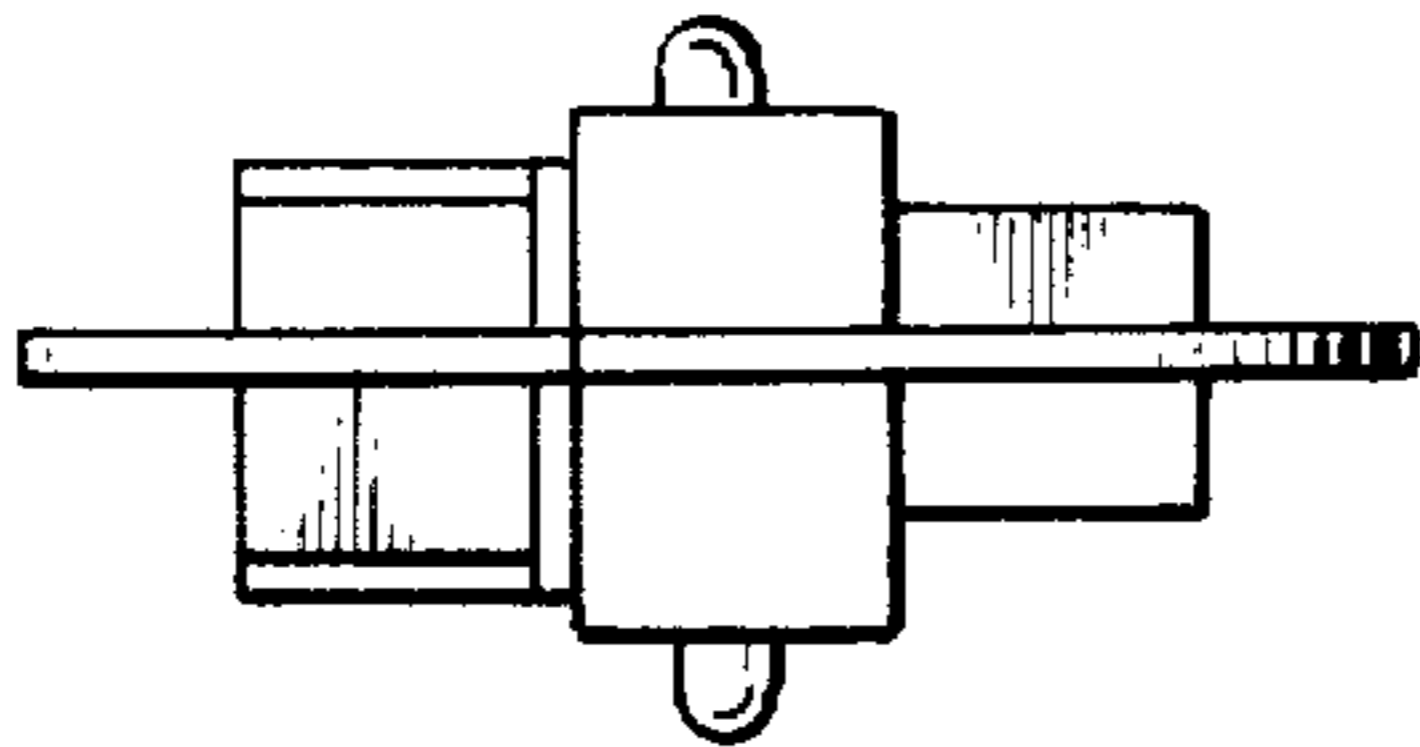
[51] Int. Cl. .... D21—01  
 [52] U.S. Cl. .... D21/204  
 [58] Field of Search ..... D21/203, 204, 205, 207,  
 D21/210; 273/58 R, 58 B, 65 E, DIG. 20,  
 DIG. 30; 46/87.11

FIG. 1 is a side elevational view of an illuminated ball in an exploded condition showing my new design;  
 FIG. 2 is a side elevational view thereof, the side opposite being substantially a mirror image; and,  
 FIG. 3 is a top plan view thereof, the bottom plan view being substantially identical.

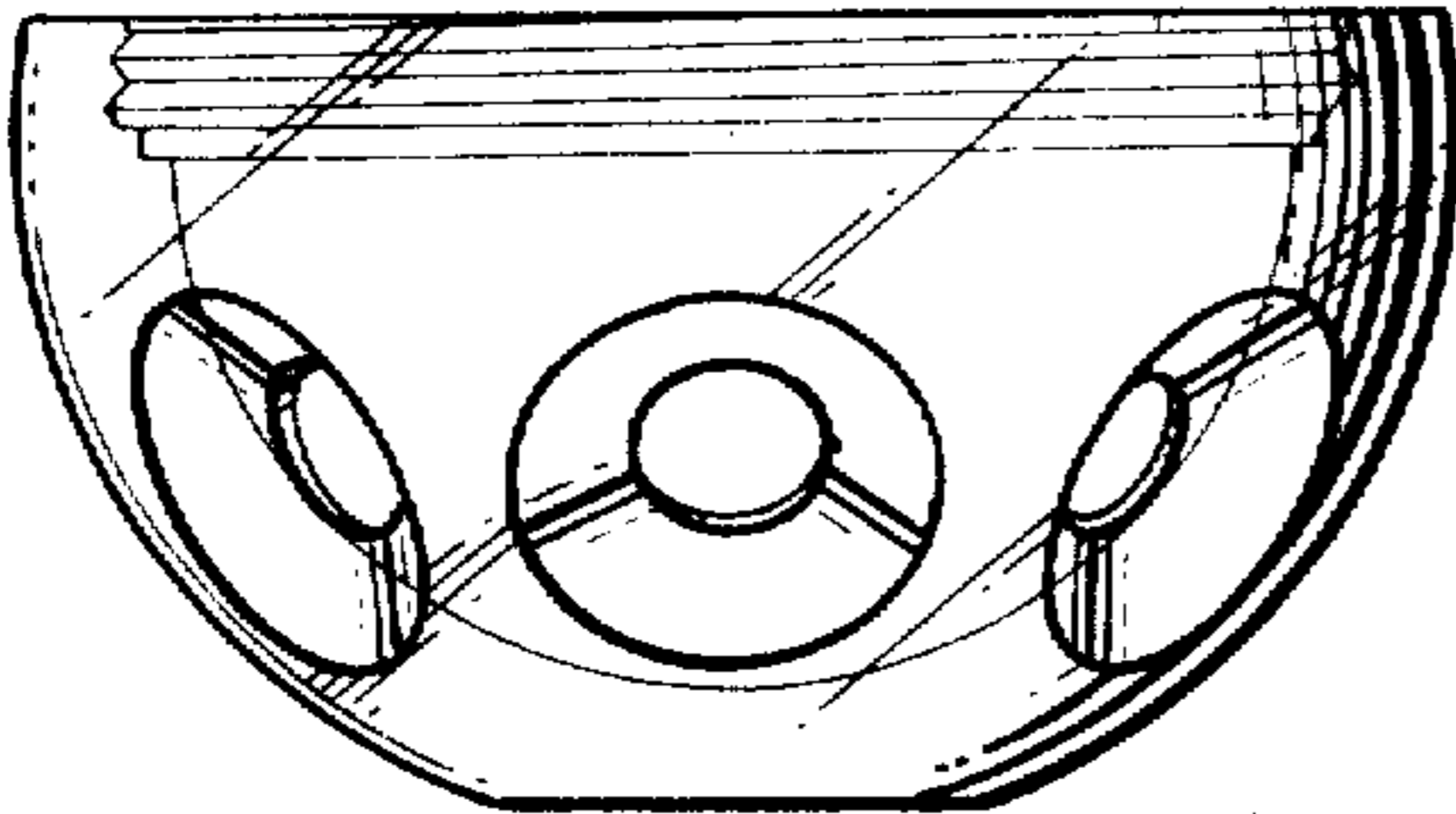
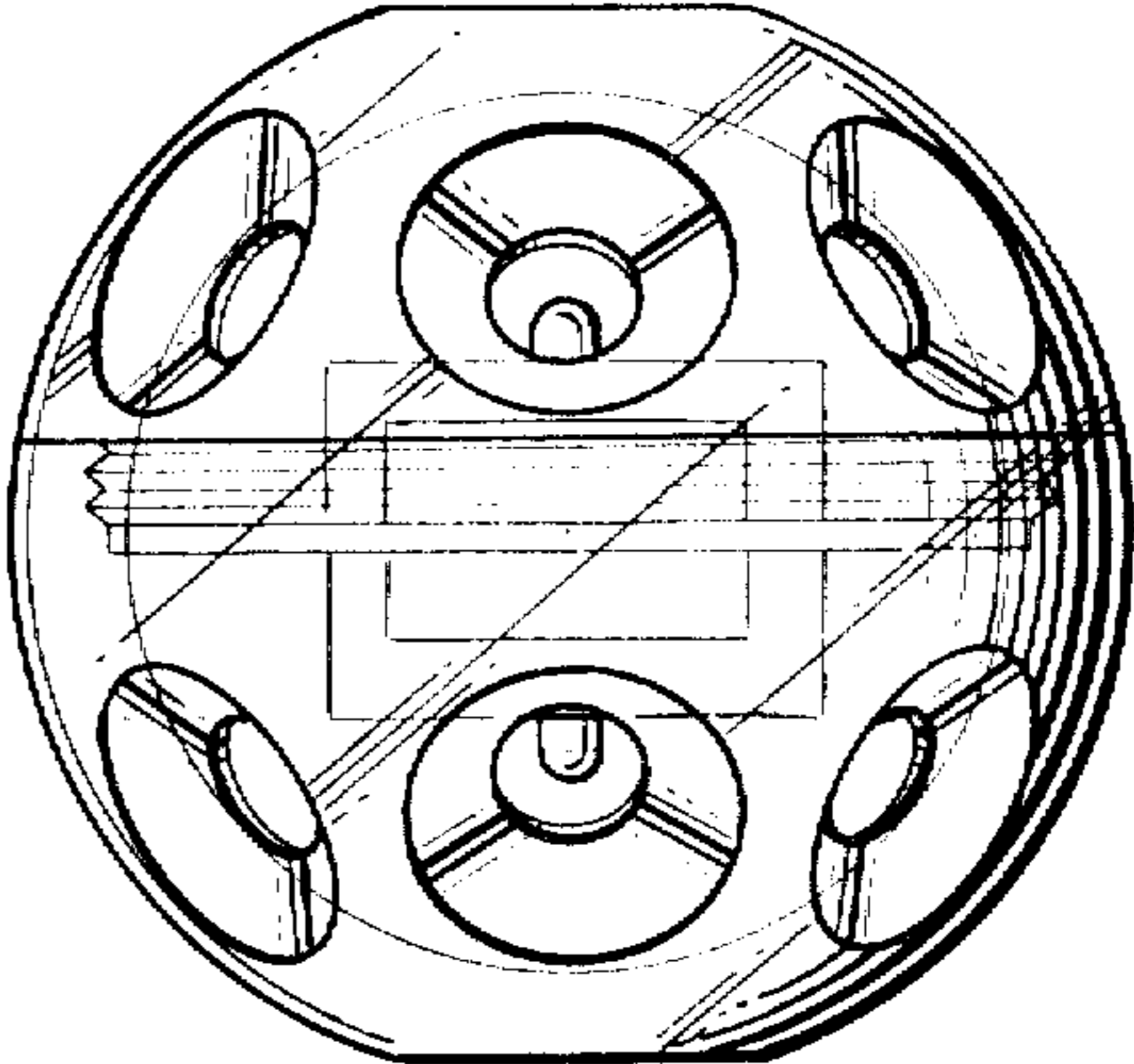




*Fig. 1.*



*Fig. 2.*



*Fig. 3.*

