

[54] RECEPTACLE FOR STACKING SHEET MATERIAL

3,171,347 3/1965 Elrod ..... 100/1

[76] Inventor: Maurice Goutchat, 7 Grande Rue, Thiverval 77850, France

[\*\*] Term: 14 Years

[21] Appl. No.: 4,513

[22] Filed: Jan. 18, 1979

[30] Foreign Application Priority Data

Oct. 23, 1978 [FR] France ..... 78-276

[51] Int. Cl. .... D19-02

[52] U.S. Cl. .... D19/92; D6/184; D7/72

[58] Field of Search ..... D19/90, 92; D6/184; D7/37, 72; D9/242; 211/50; 100/1, 34

[56] References Cited

U.S. PATENT DOCUMENTS

D. 236,538 8/1975 Adams ..... D9/242

OTHER PUBLICATIONS

Wallace Brown Cat., Fall 1974, rear cover, Item No. 9882.

Primary Examiner—George P. Word  
Attorney, Agent, or Firm—William A. Drucker

[57] CLAIM

The ornamental design for a receptacle for stacking sheet material, as shown and described.

DESCRIPTION

FIG. 1 is a perspective view of a receptacle for stacking sheet material showing my new design; FIG. 2 is a rear elevational view; FIG. 3 is a right side elevational view; FIG. 4 is a left side elevational view; FIG. 5 is a bottom plan view; and FIG. 6 is a top plan view.

The characteristic feature of the design resides in an open top cube having a pair of opposed full depth corner slots rounded at the top and square at the bottom.

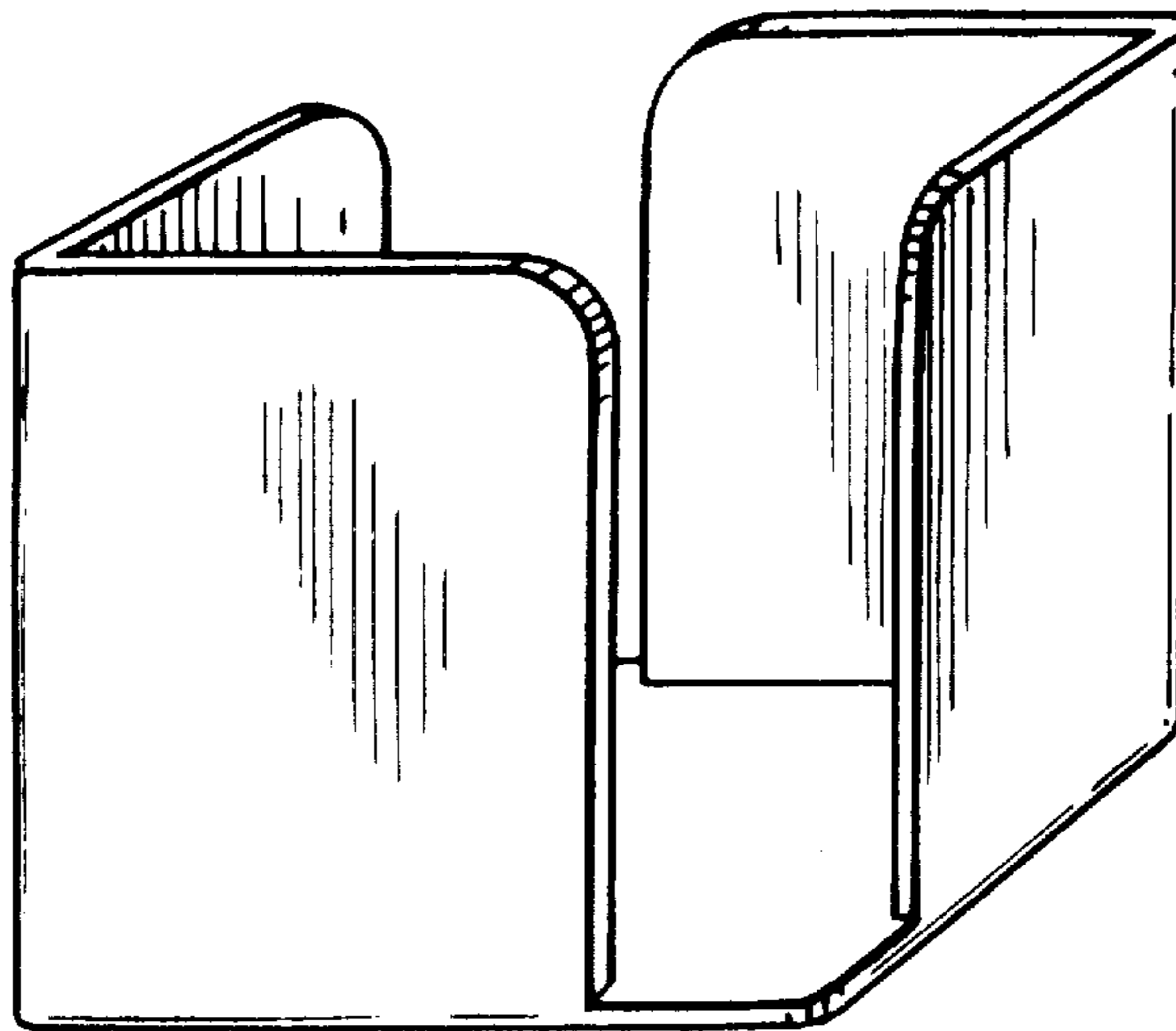


FIG. 1

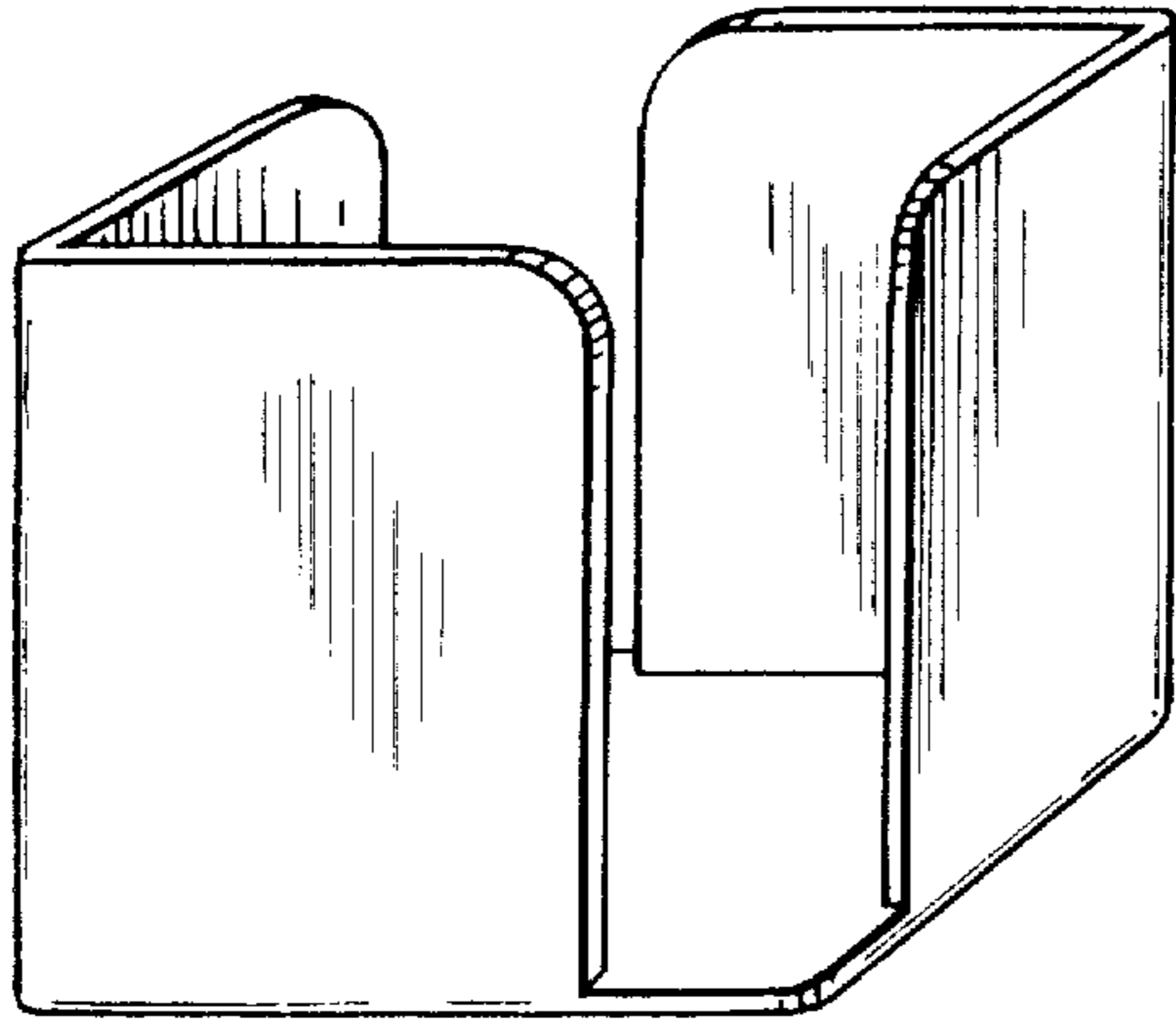


FIG. 2

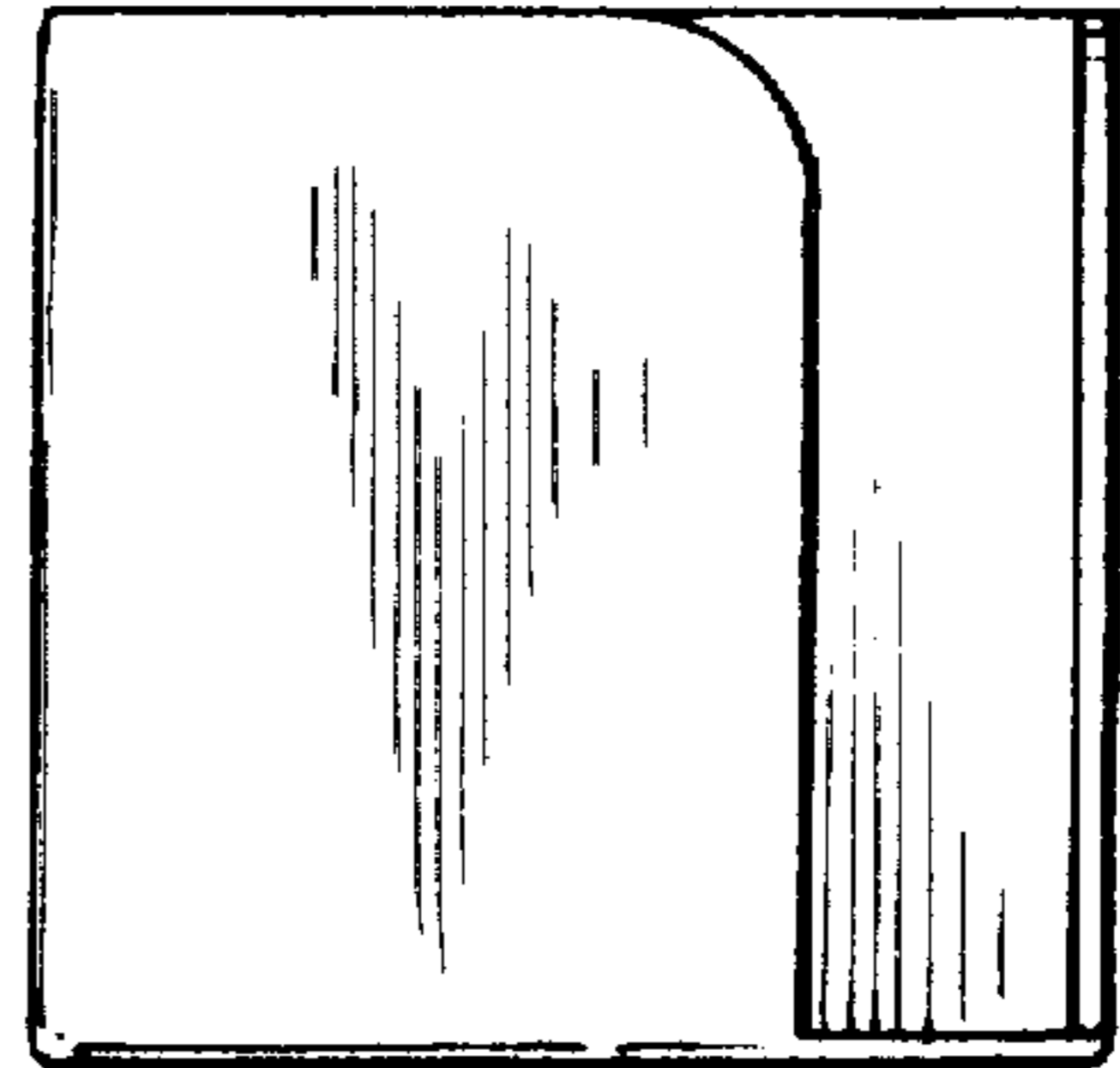


FIG. 3

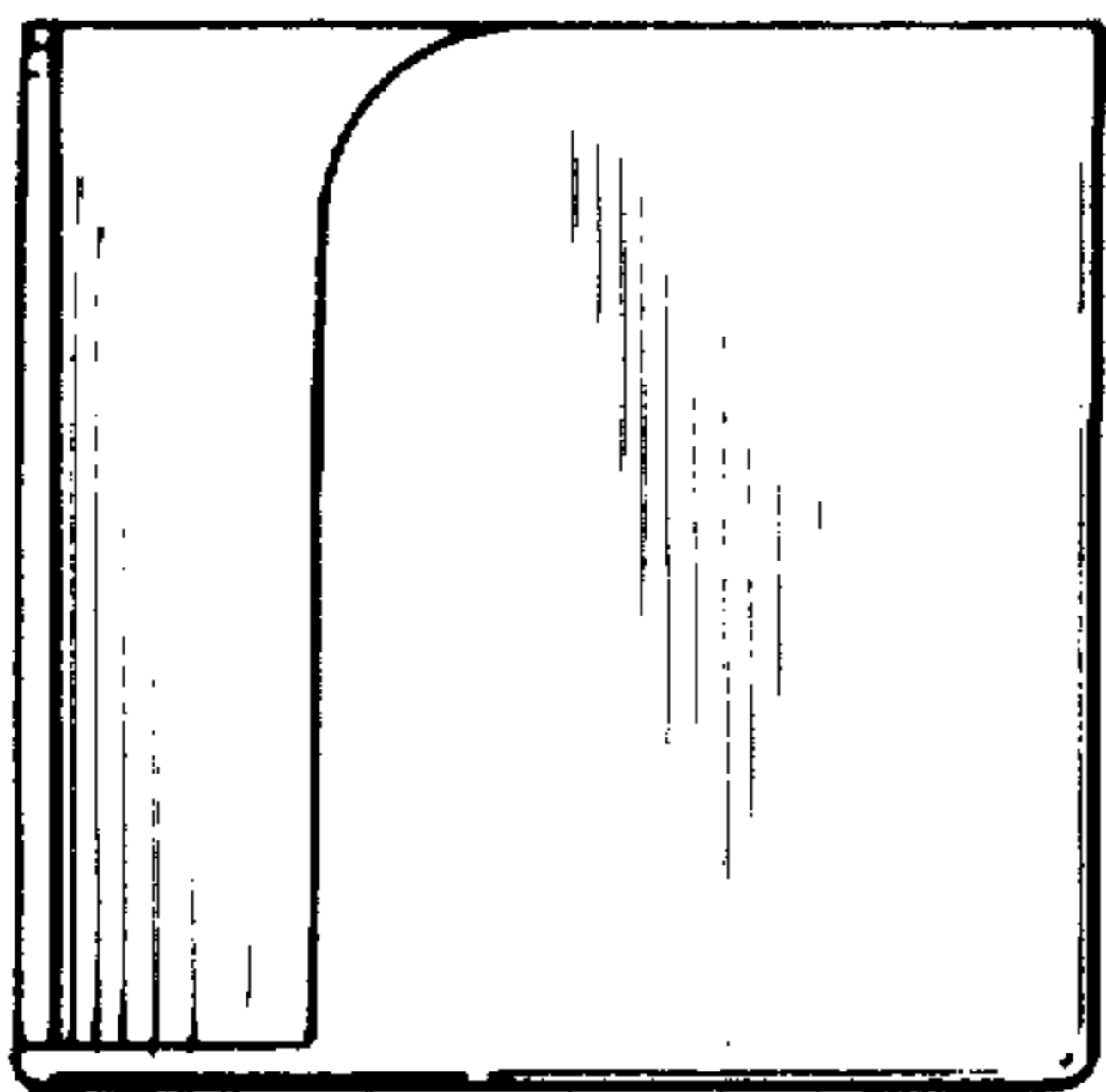


FIG. 4

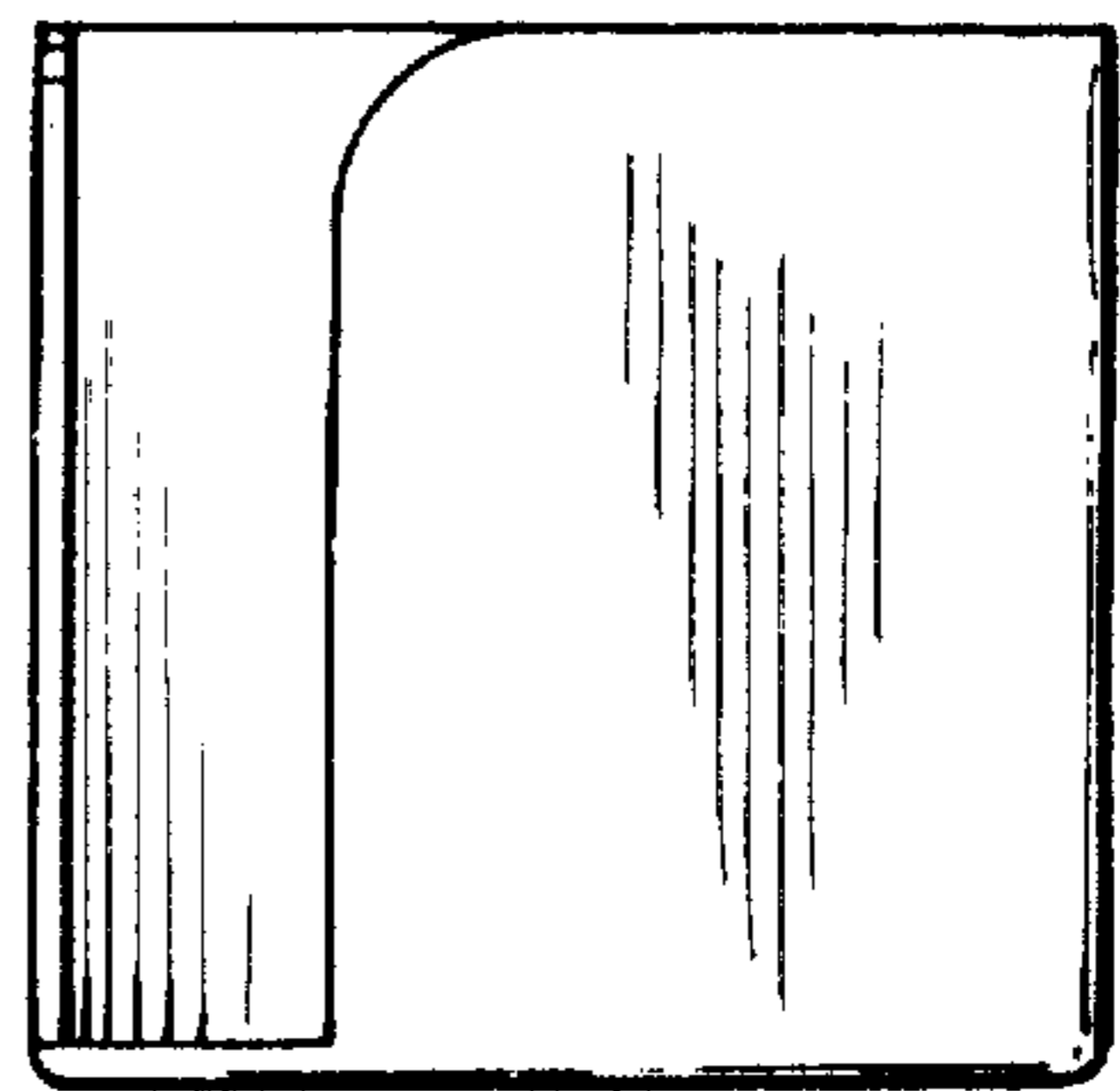


FIG. 5



FIG. 6

