

[54] ELECTRICAL WIRING TRAINER

[56]

References Cited

U.S. PATENT DOCUMENTS

[76] Inventor: Matthew Dresens, 287 Alder Rd., Westwood, Mass. 02090

D. 241,432 9/1976 Holcomb D19/62

Primary Examiner—Lester L. Lee

[**] Term: 14 Years

[57]

CLAIM

The ornamental design for an electrical wiring trainer, as shown and described.

[21] Appl. No.: 171,750

DESCRIPTION

[22] Filed: Jul. 24, 1980

FIG. 1 is a front elevational view of the electrical wiring trainer showing my new design;

FIG. 2 is a rear elevational view;

FIG. 3 is a side elevational view, both sides being the same;

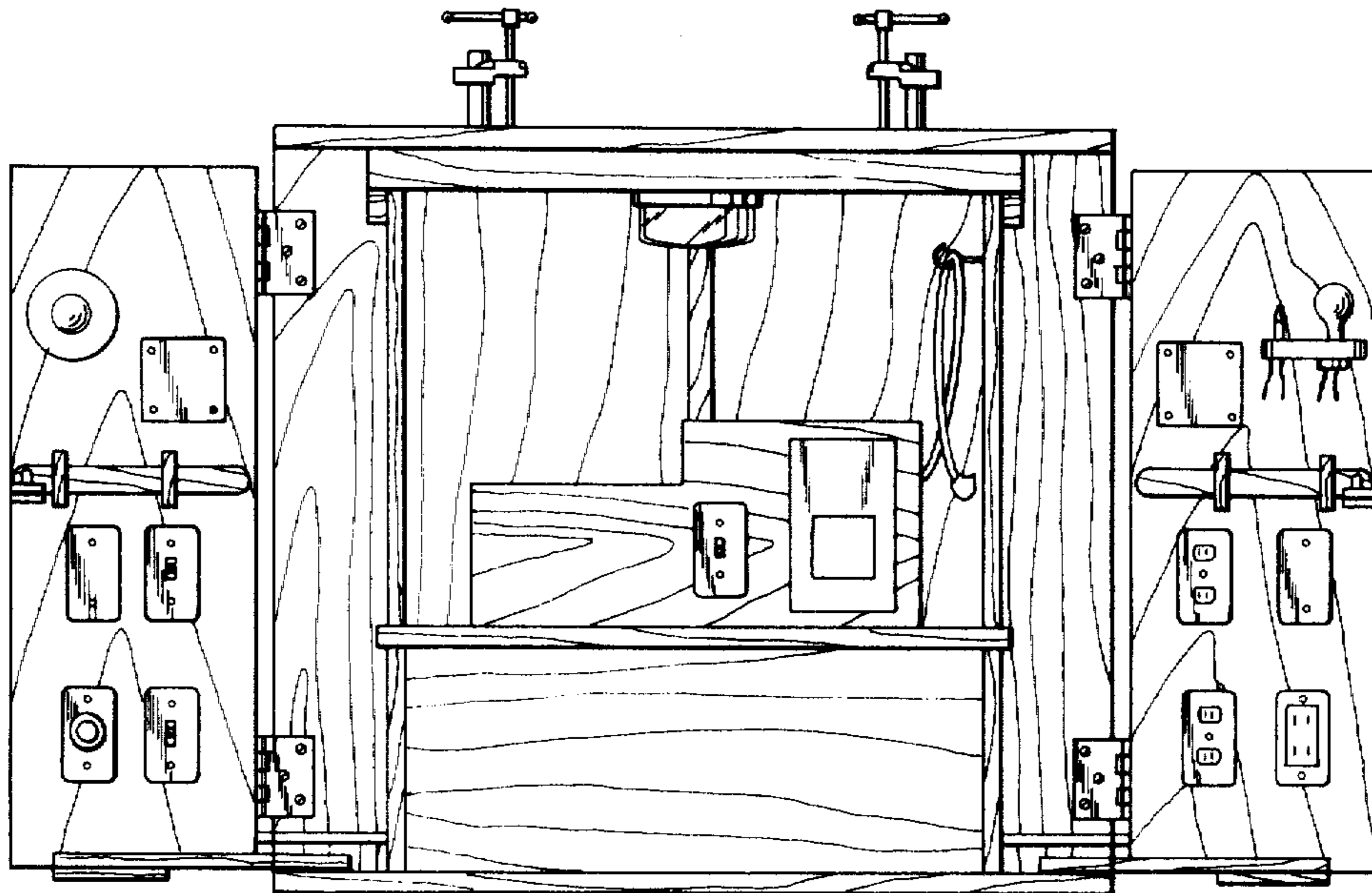
FIG. 4 is a top plan view.

The bottom is plain and unornamented.

[51] Int. Cl. D19-07

[52] U.S. Cl. D19/62; D19/59

[58] Field of Search D19/59, 60, 62, 64; 434/224



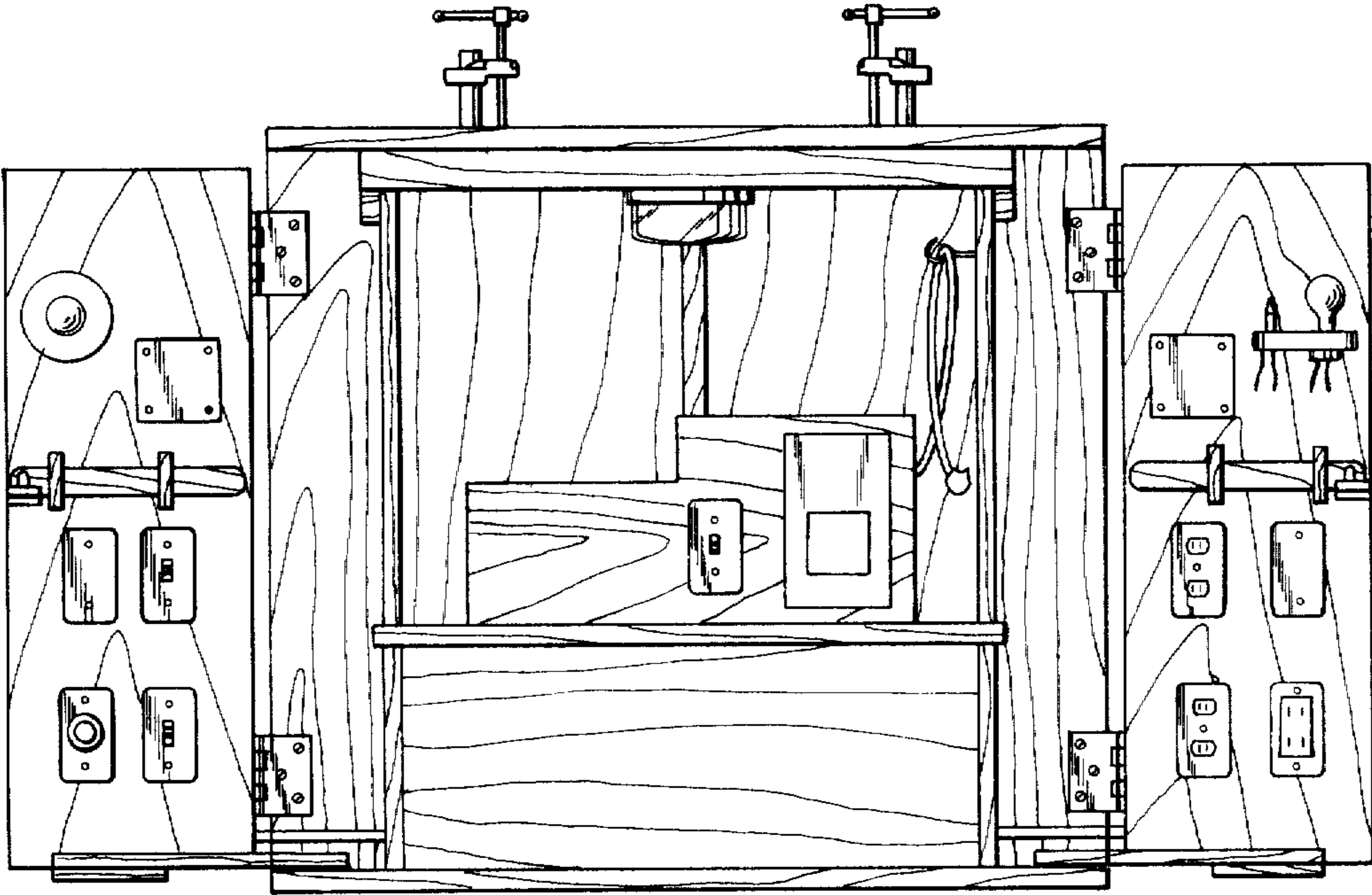


Fig. 1

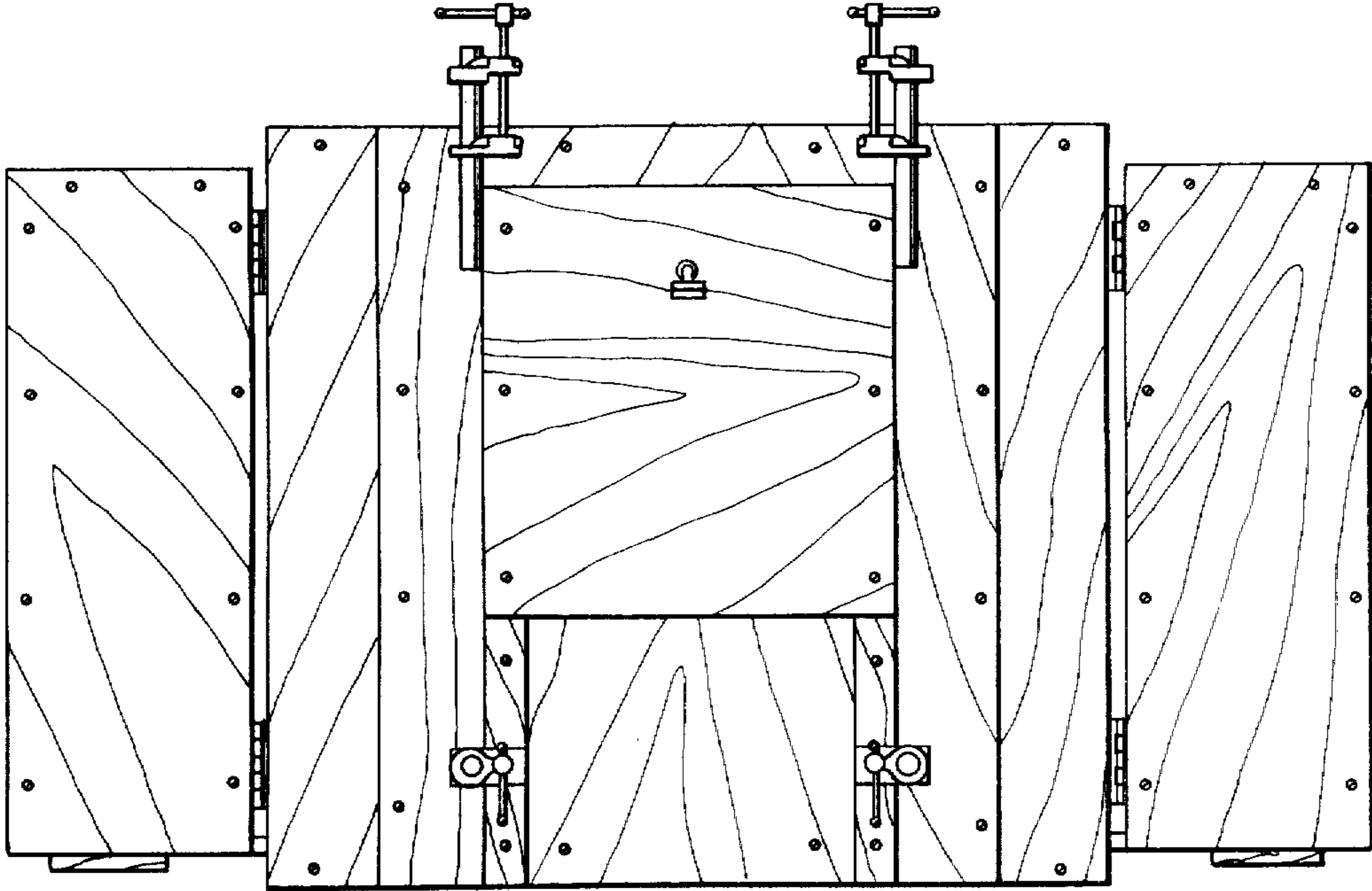


Fig. 2

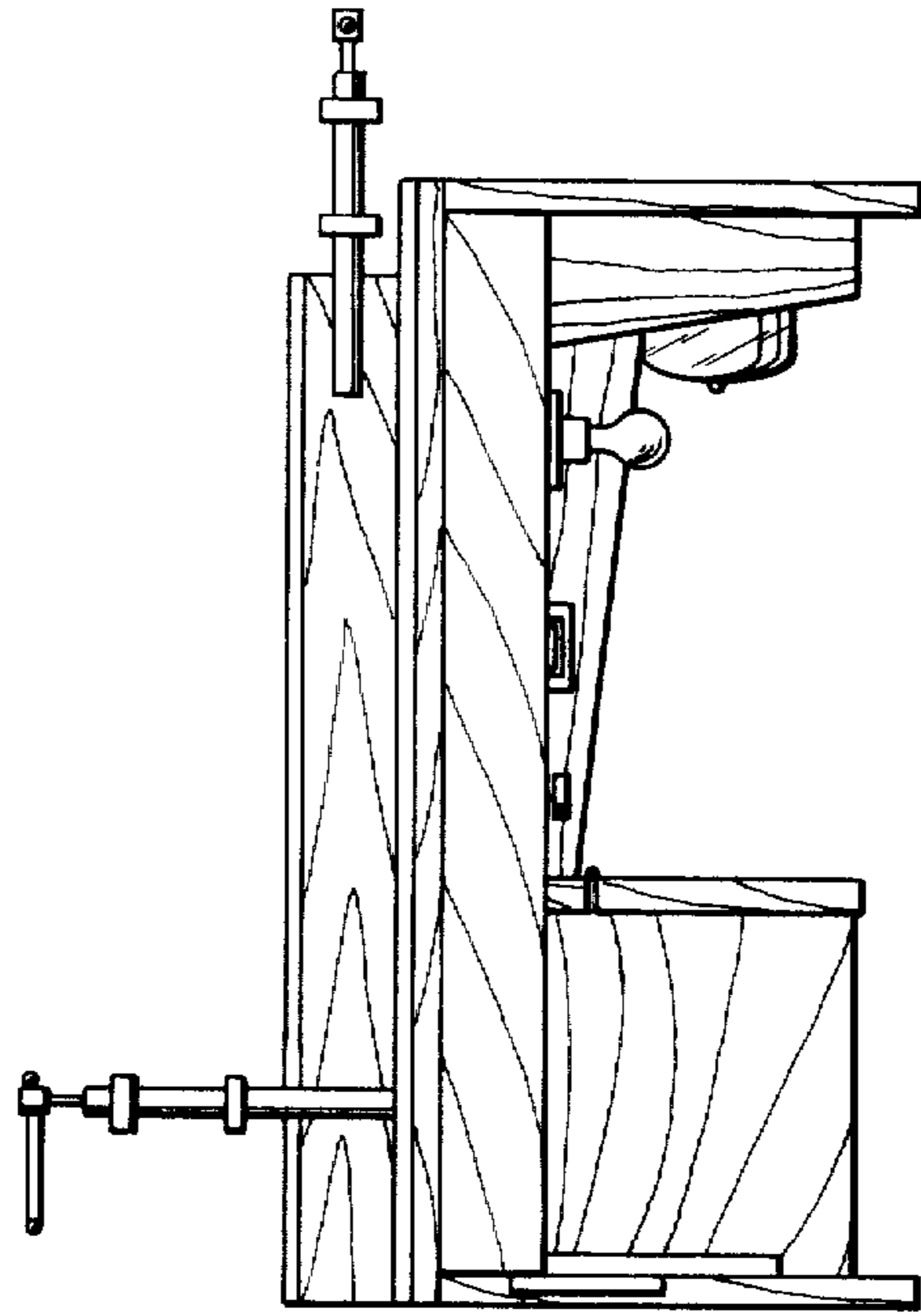


Fig. 3

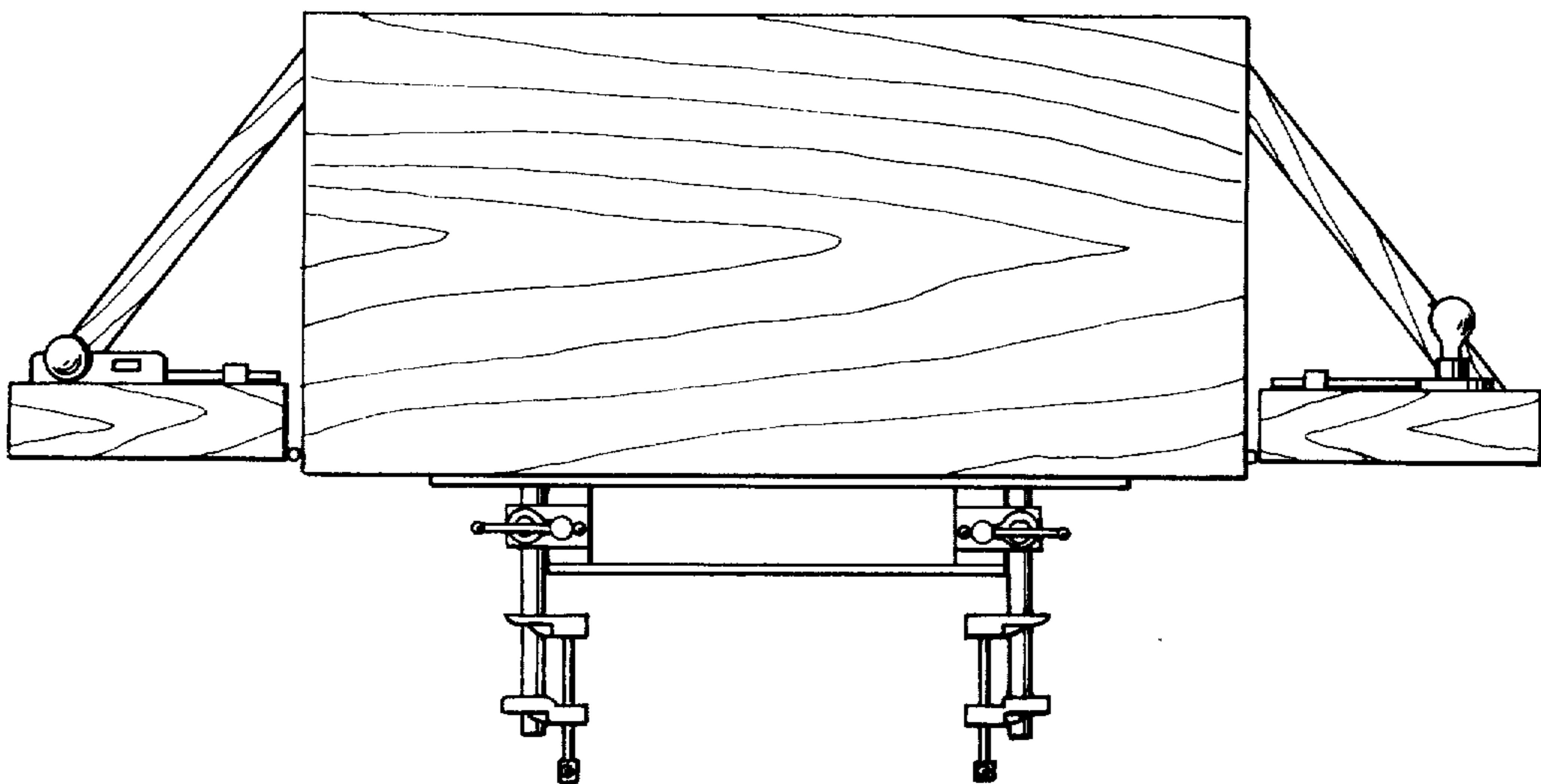


Fig. 4