

[54] INK JET PRINT HEAD MODULE

[75] Inventors: David A. Huliba, Kettering; Lonnie P. Robinson, Dayton, both of Ohio

[73] Assignee: The Mead Corporation, Dayton, Ohio

[**] Term: Years

[21] Appl. No.: 165,594

[22] Filed: Jul. 3, 1980

[51] Int. Cl. D18-99

[52] U.S. Cl. D18/22

[58] Field of Search D18/13, 22, 99; D23/34, D23/35; 400/126; 346/75

[56] References Cited

U.S. PATENT DOCUMENTS

3,584,571 6/1971 Schmoll 400/126 X

FOREIGN PATENT DOCUMENTS

2808429 8/1979 Fed. Rep. of Germany 400/126
55-73565 6/1980 Japan 400/126

Primary Examiner—Louis S. Zarfes
Attorney, Agent, or Firm—Biebel, French & Nauman

[57] CLAIM

The ornamental design for an ink jet print head module, as shown.

DESCRIPTION

FIG. 1 is a perspective view of an ink jet print head module showing our design; FIG. 2 is a front elevational view of the module; FIG. 3 is a rear elevational view of the module; FIG. 4 is a side elevational view of the module as seen looking generally right to left in FIG. 1; FIG. 5 is a side elevational view of the module as seen looking generally left to right in FIG. 1; FIG. 6 is a plan elevational view of the module; and FIG. 7 is a bottom elevational view of the module.

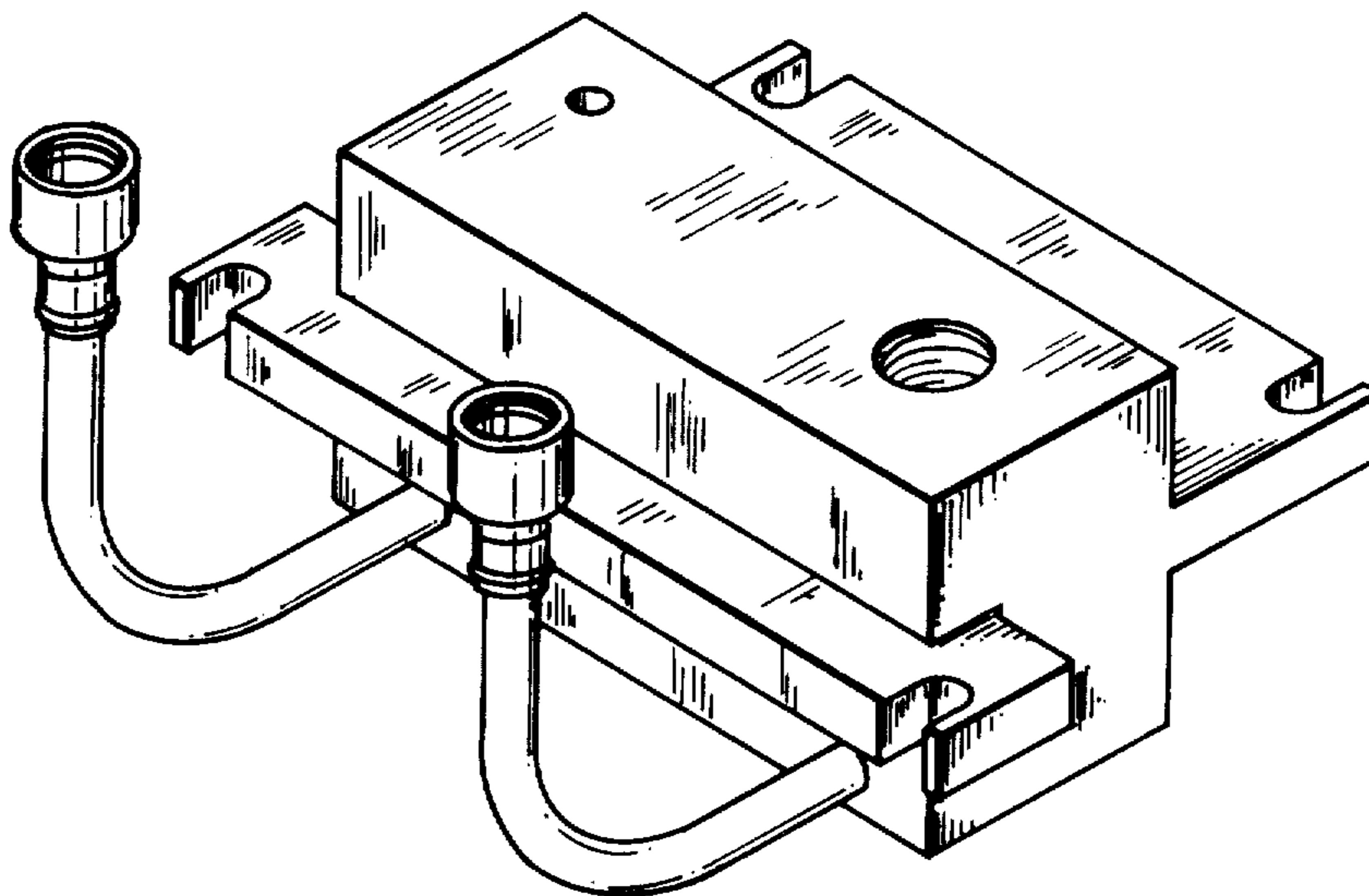


FIG-1

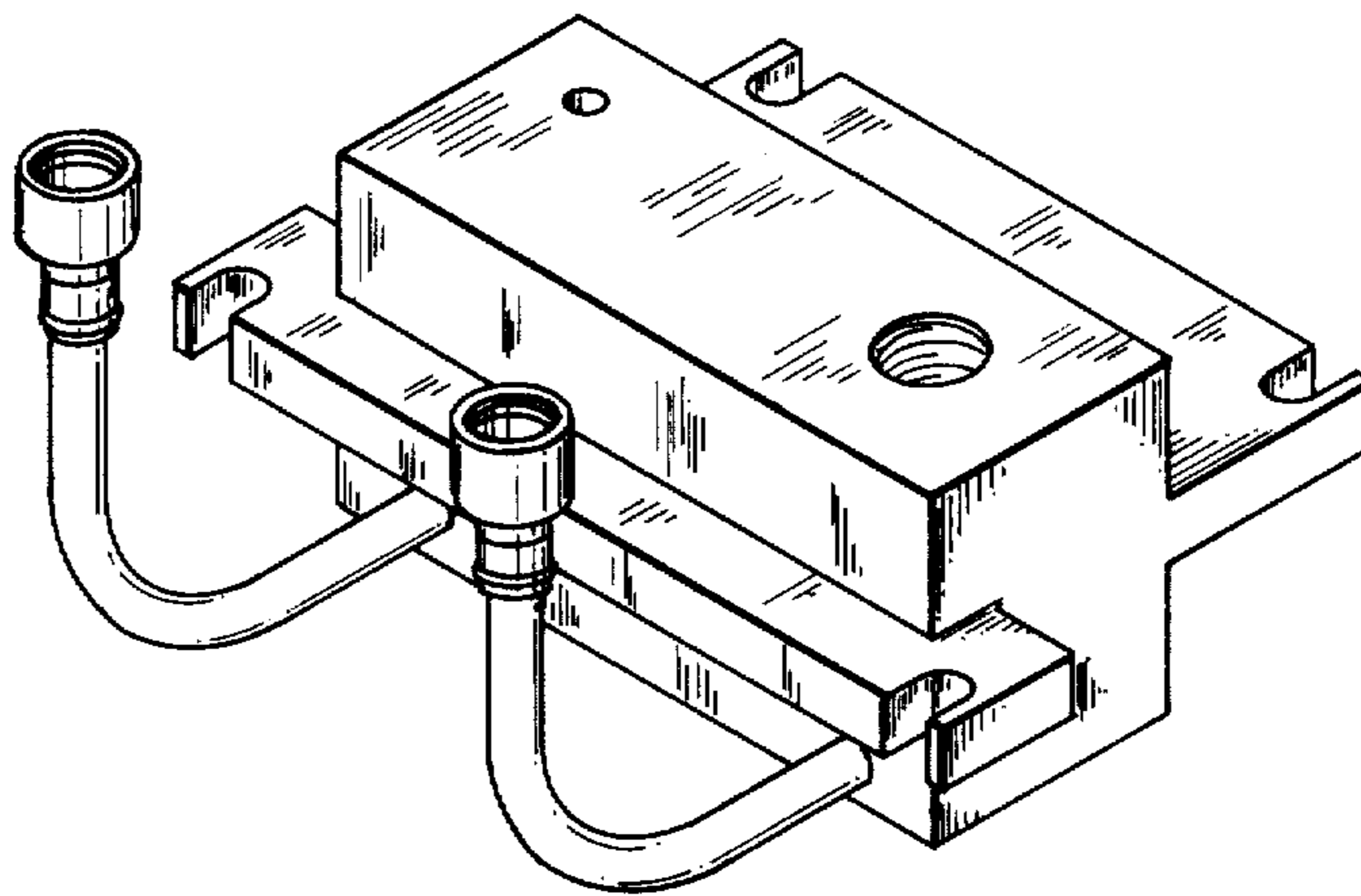


FIG-2

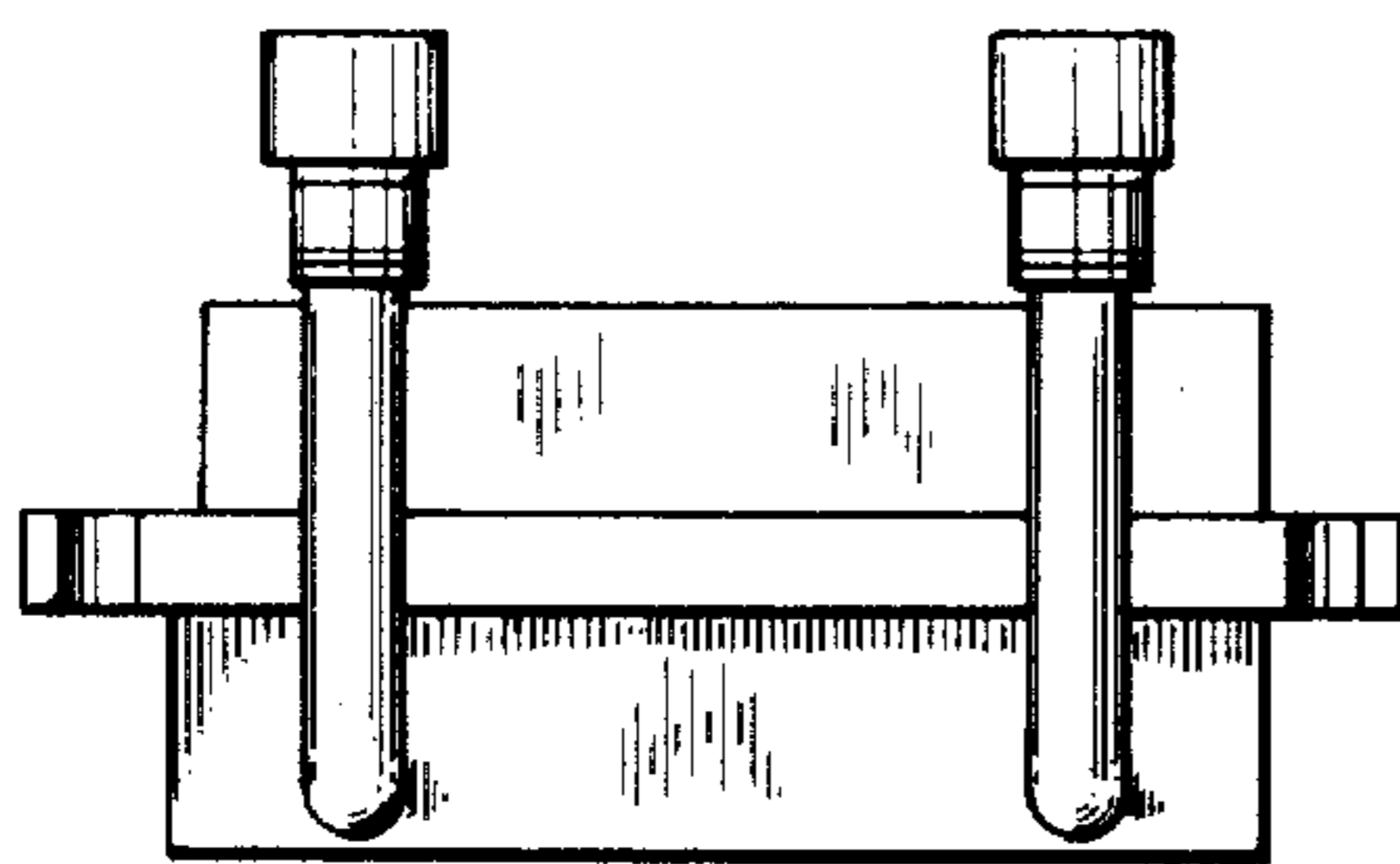


FIG-3

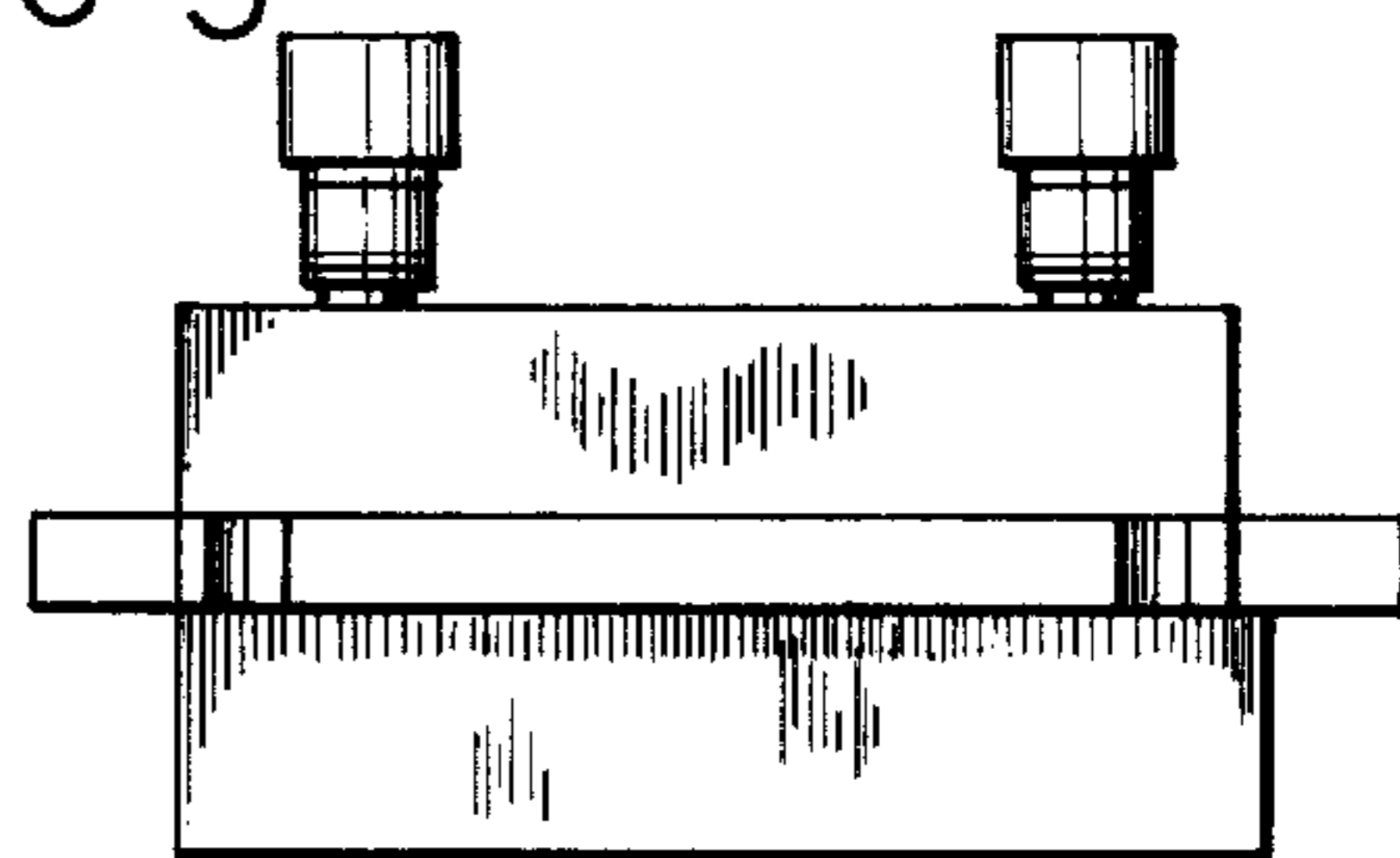


FIG-4

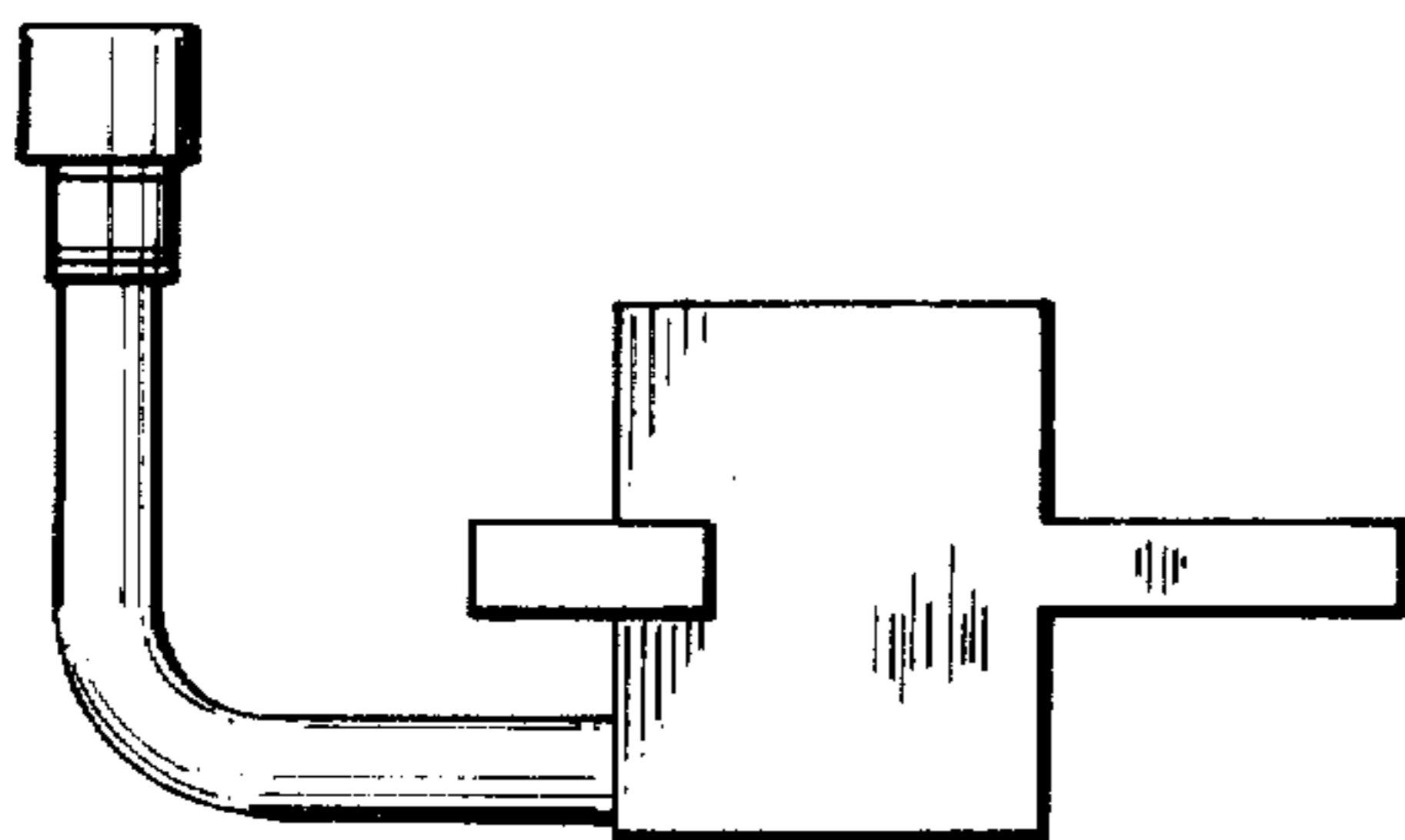


FIG-5

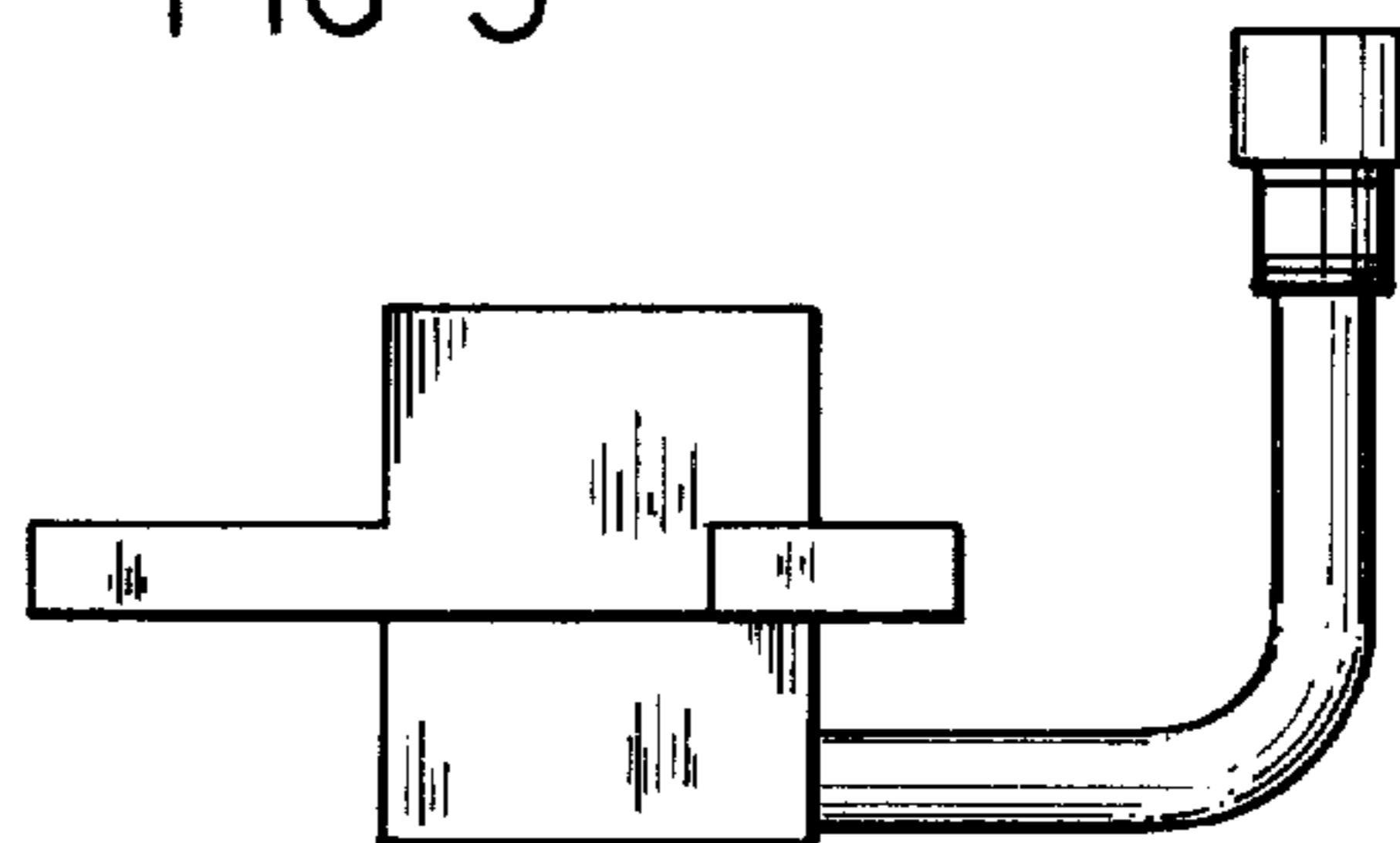


FIG-6

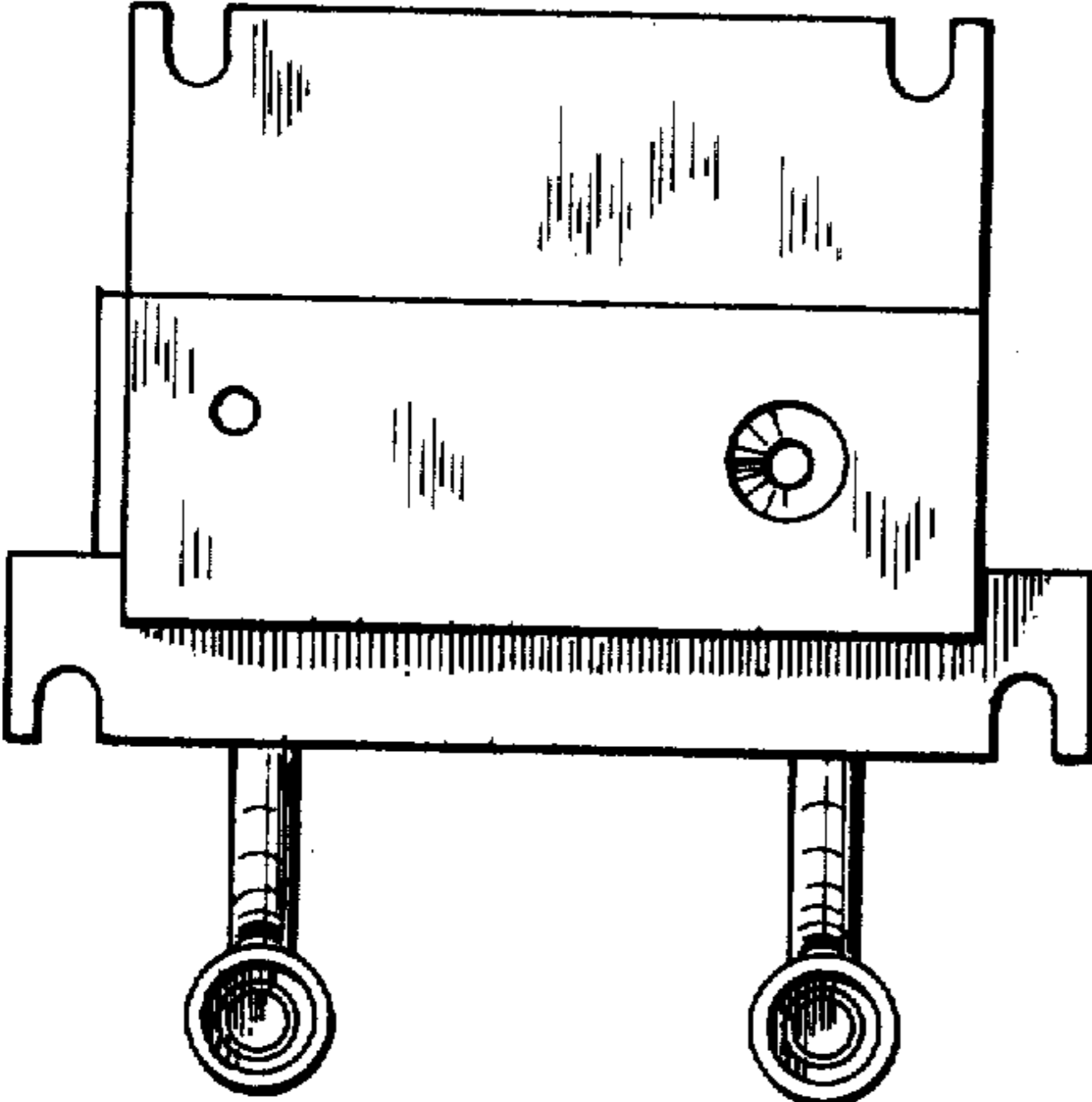


FIG-7

