

[54] MATTE BOX ATTACHMENT FOR CAMERAS

[76] Inventor: Roderick W. Gunn, 14826 Archwood St., Van Nuys, Calif. 91405

[\*\*] Term: 14 Years

[21] Appl. No.: 133,579

[22] Filed: Mar. 24, 1980

[51] Int. Cl. .... D16-05

[52] U.S. Cl. .... D16/38

[58] Field of Search ..... D16/1-10, D16/38; 354/120, 122-125, 295, 296; 355/71, 74

[56] References Cited

U.S. PATENT DOCUMENTS

- 3,100,567 8/1963 Levy ..... D16/38
- 3,994,008 11/1976 Land et al. .... 354/295
- 4,122,470 10/1978 Loranger et al. .... 354/295

Primary Examiner—Leland A. Sebastian  
Attorney, Agent, or Firm—Allan M. Shapiro

[57] CLAIM

The ornamental design for a matte box attachment for cameras, substantially as shown.

DESCRIPTION

FIG. 1 is a rear perspective view of a matte box attachment for cameras, showing my new design; FIG. 2 is a front perspective view thereof; FIG. 3 is a rear elevational view thereof; FIG. 4 is a right side elevational view thereof; FIG. 5 is a front elevational view thereof; FIG. 6 is a top plan view thereof; FIG. 7 is a bottom plan view thereof; and FIG. 8 is a sectional view thereof taken in the direction of the arrows along line 8—8 in FIG. 5. FIG. 9 is a rear perspective view of a second embodiment of the design of FIG. 1; FIG. 10 is a front perspective view of FIG. 9; FIG. 11 is a rear elevational view of FIG. 9; FIG. 12 is a right side elevational view of FIG. 9; FIG. 13 is a left side elevational view of FIG. 9; FIG. 14 is a front elevational view of FIG. 9; FIG. 15 is a bottom plan view of FIG. 9; and FIG. 16 is a sectional view thereof taken in the direction of the arrows along line 16—16 in FIG. 11.

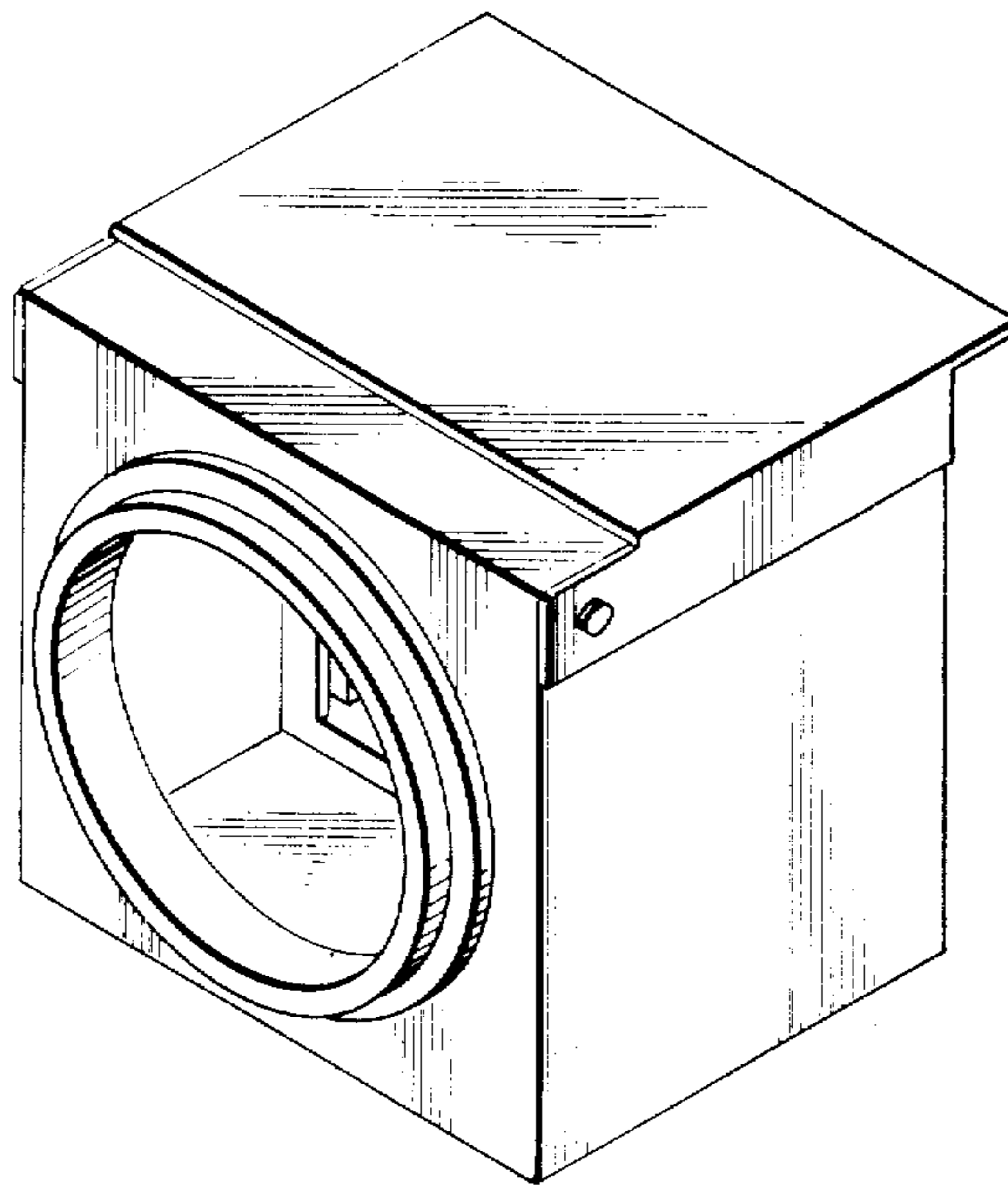


FIG. 1

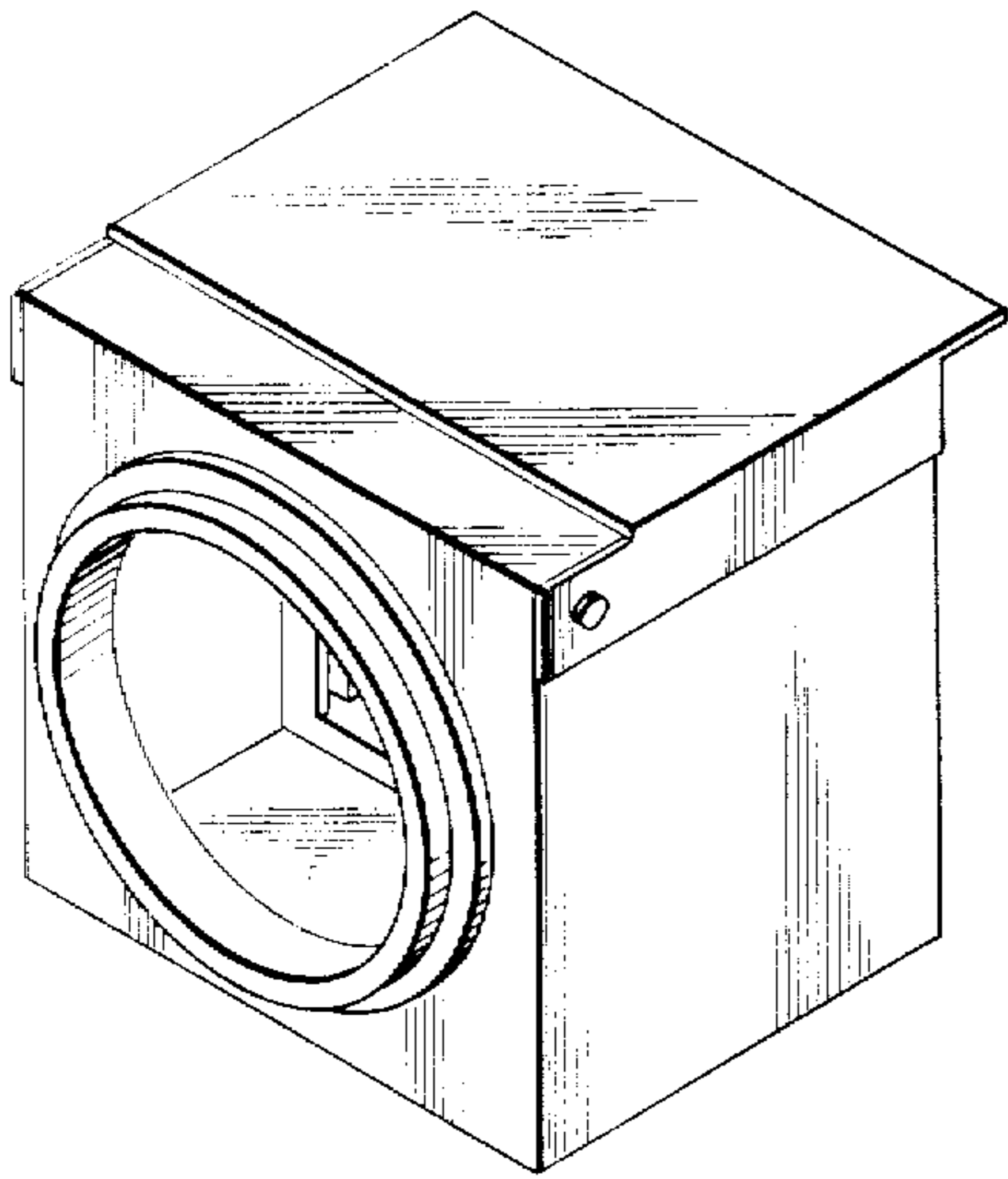


FIG. 2

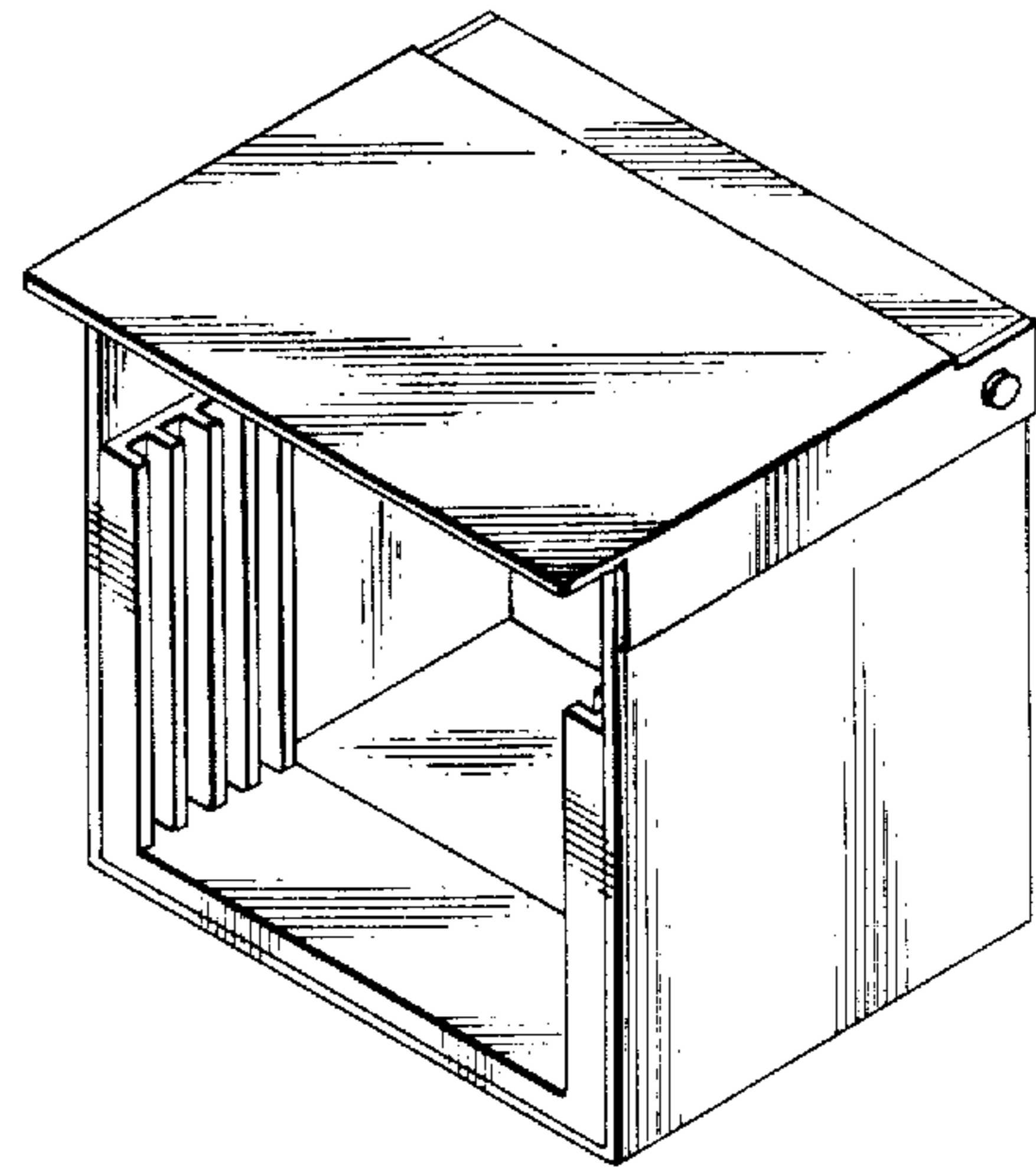


FIG. 3

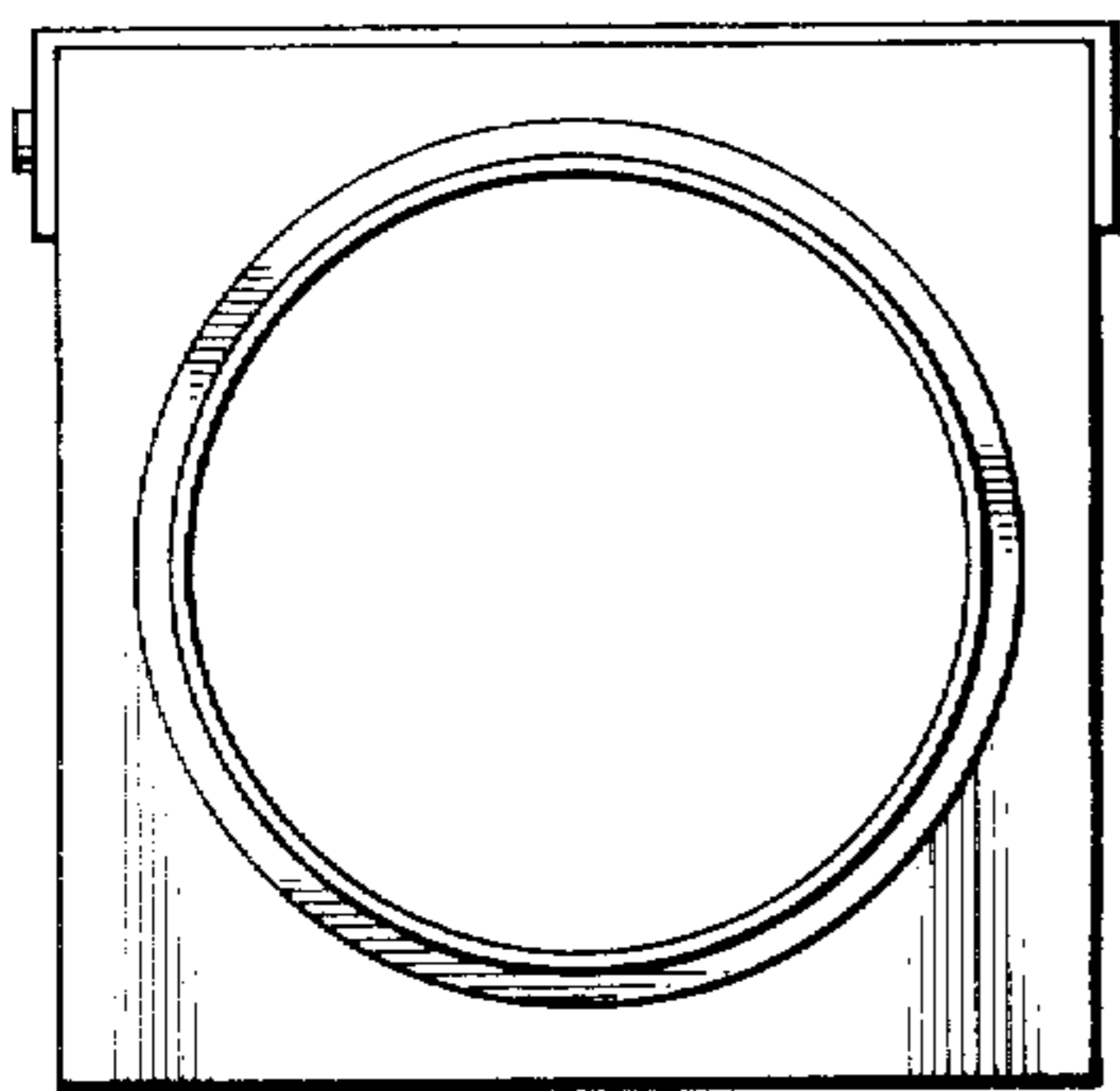


FIG. 4

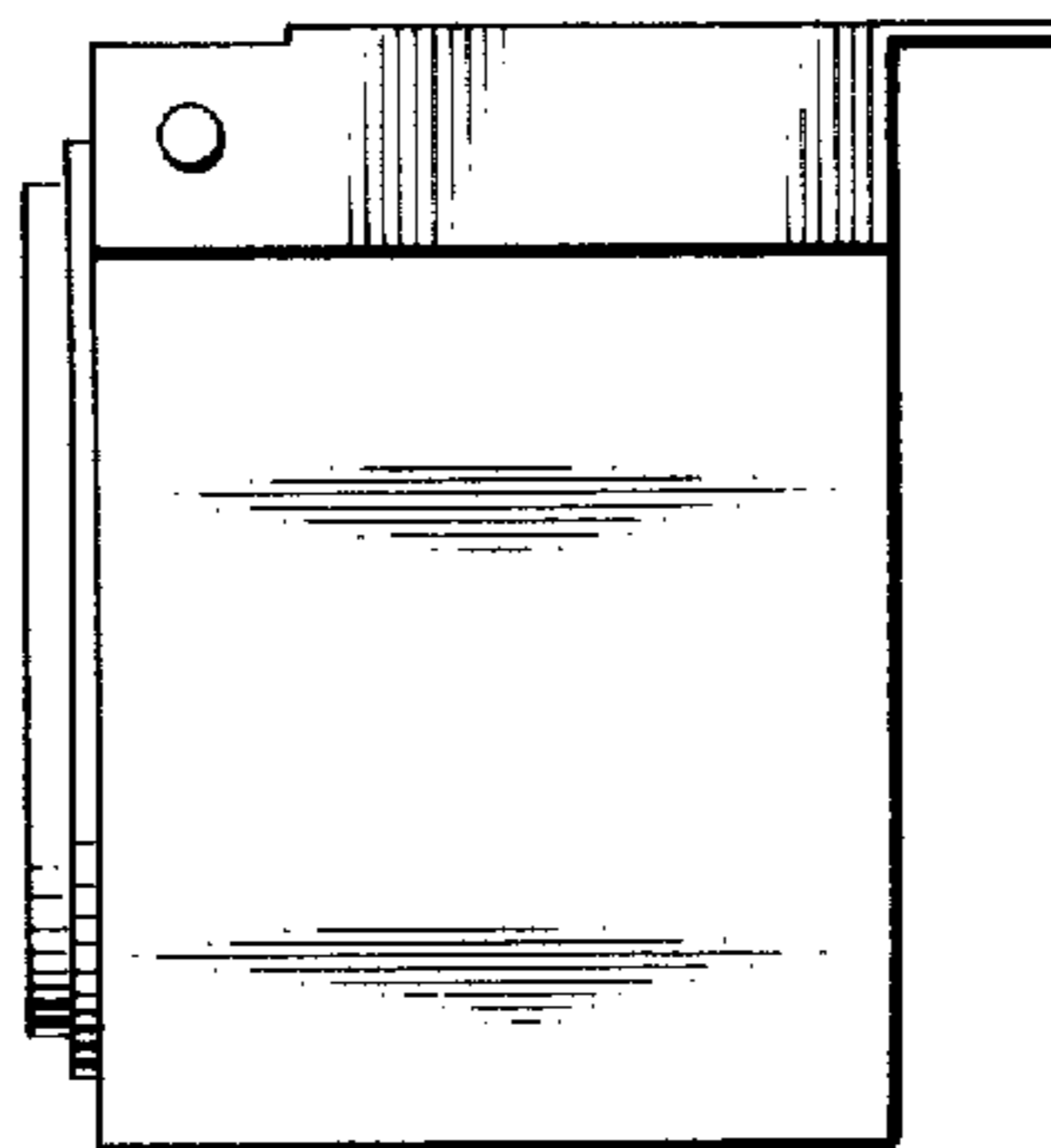


FIG. 5

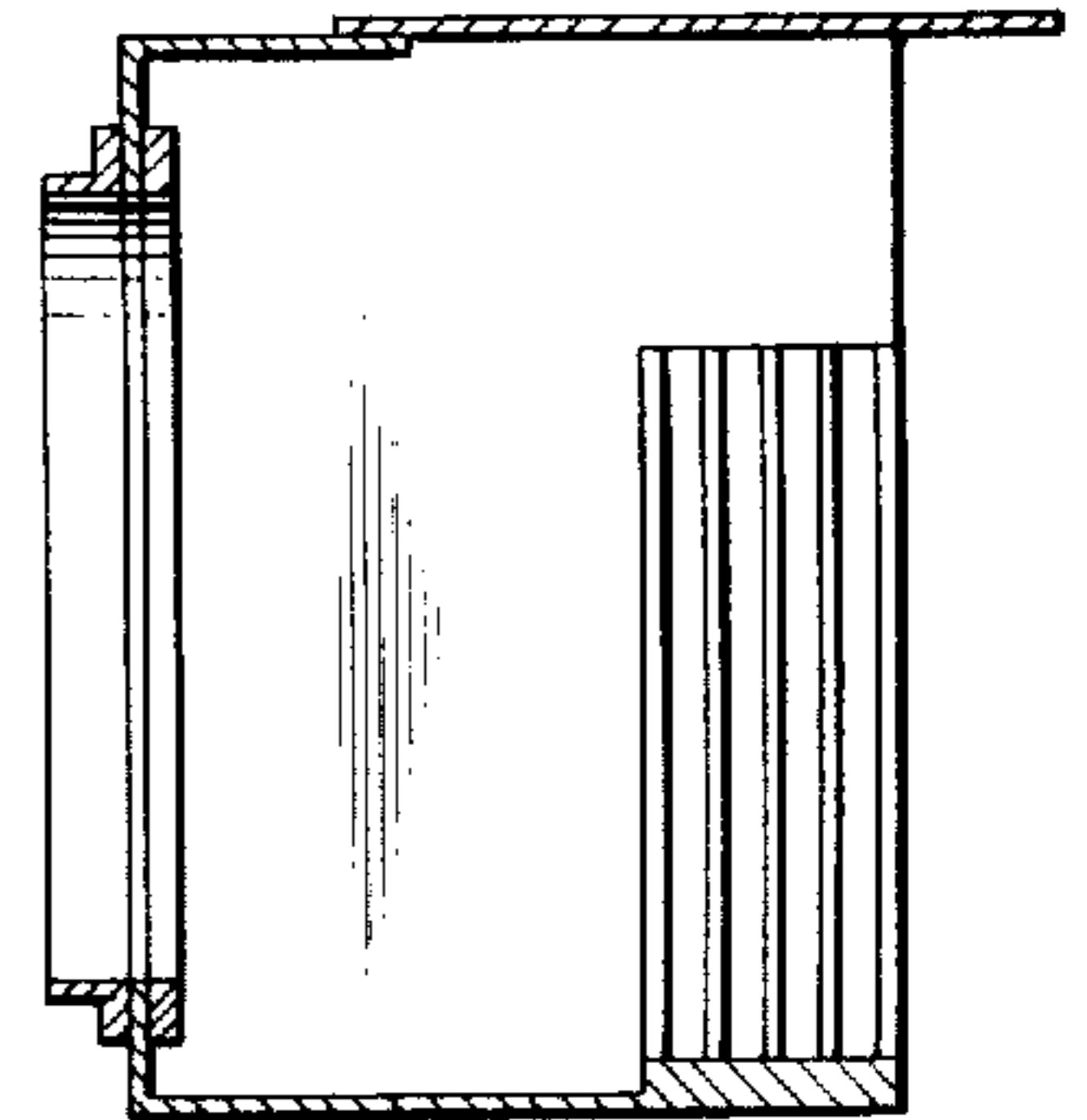


FIG. 6

→ 8

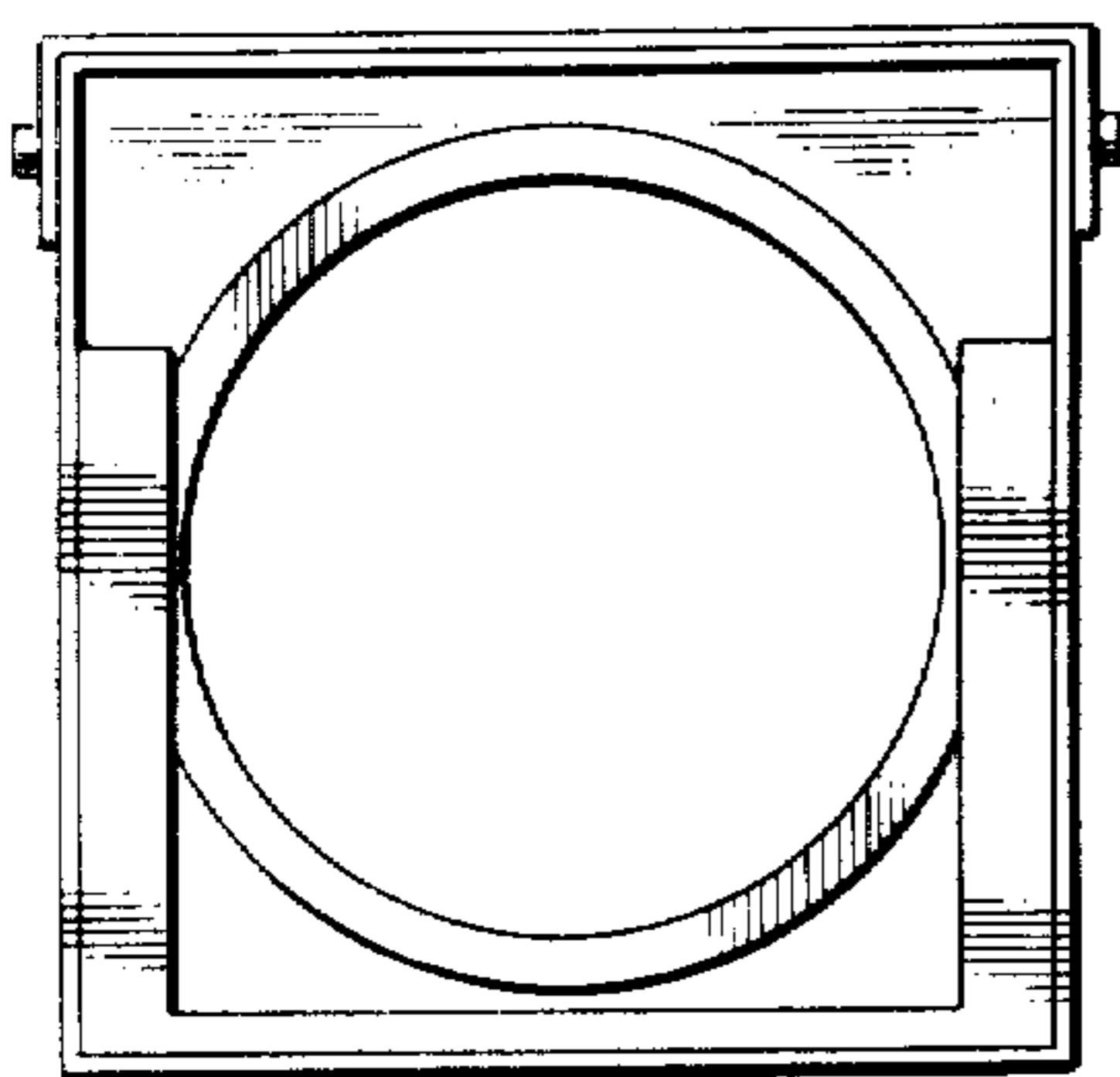


FIG. 7

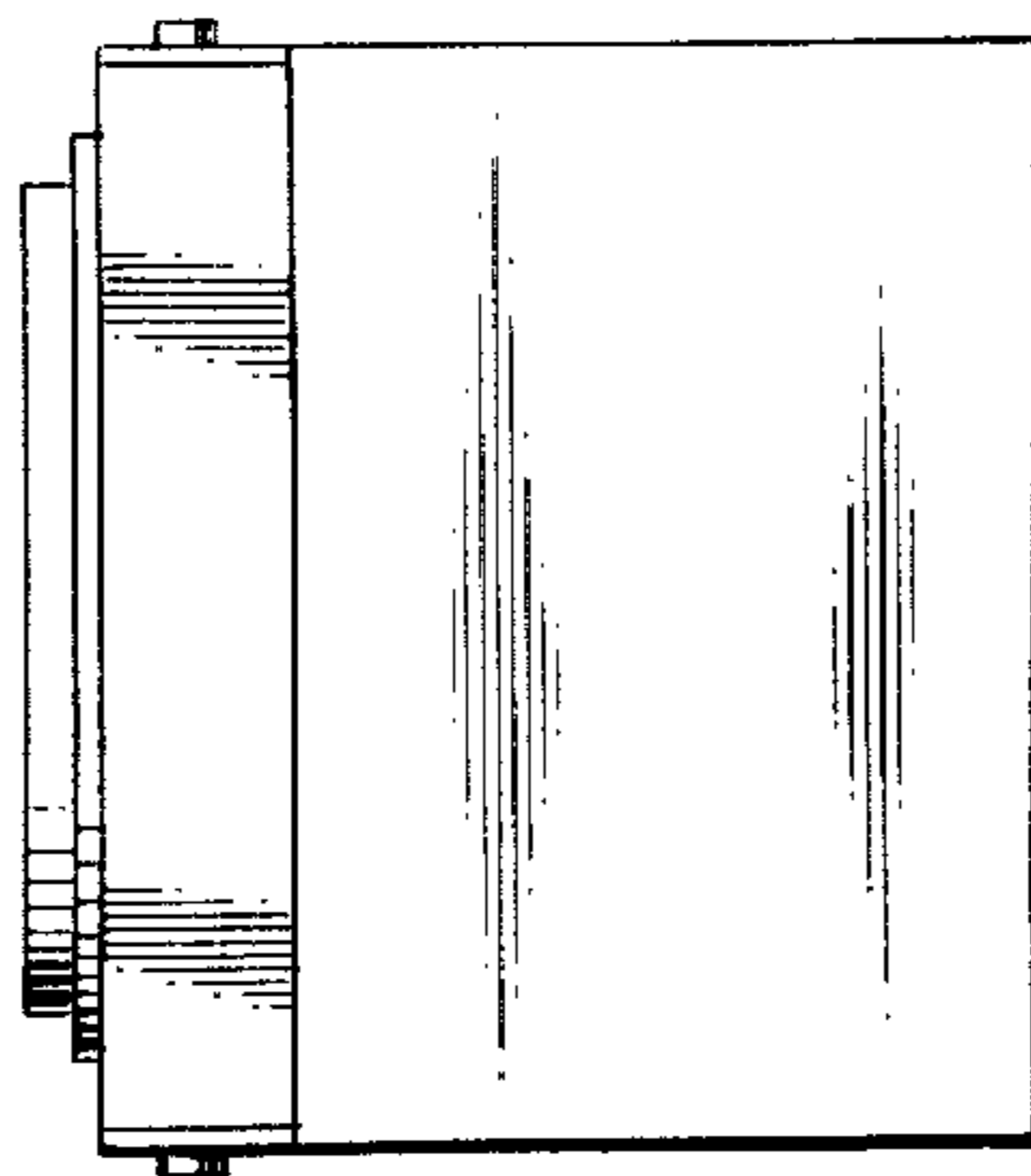
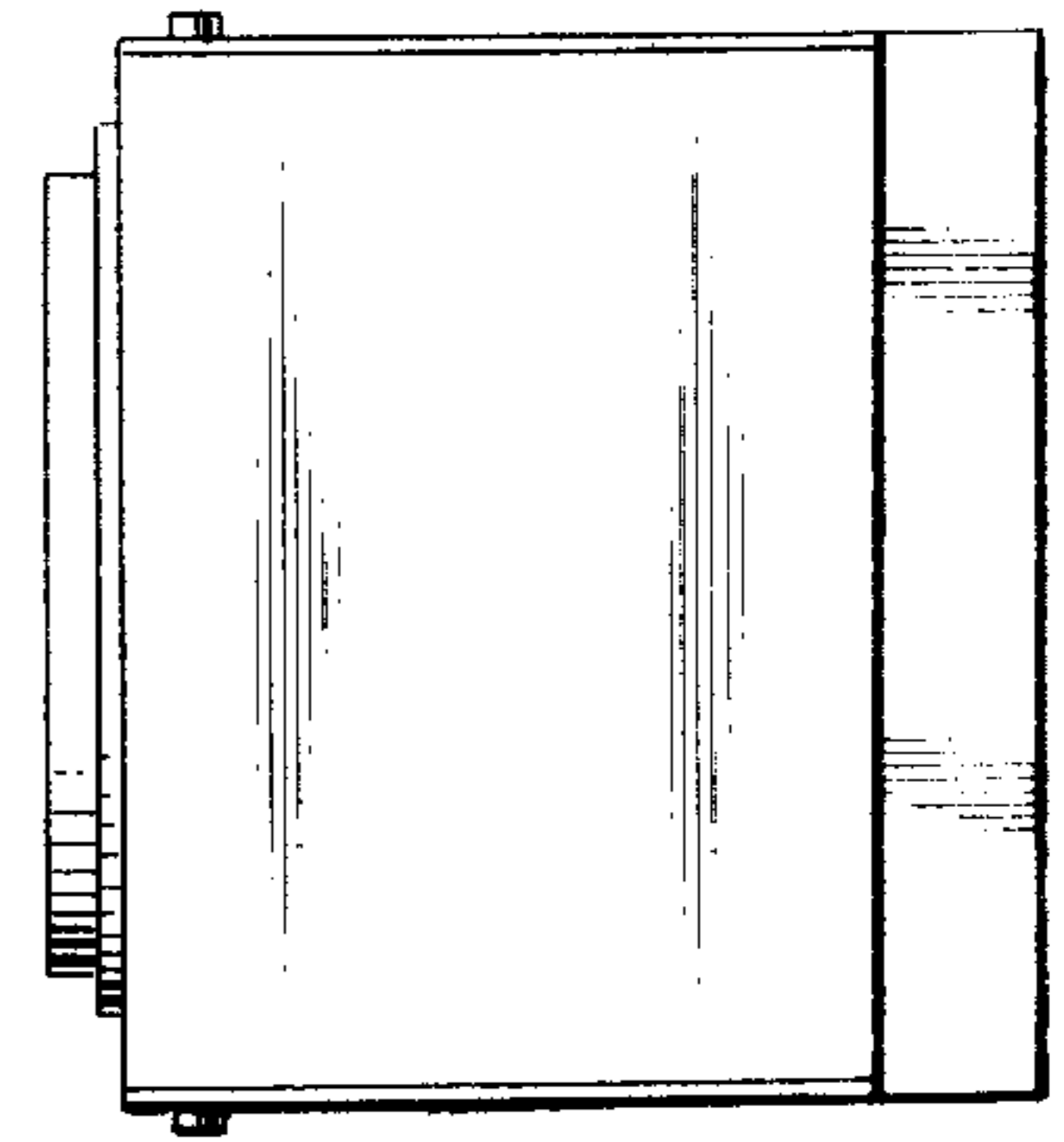


FIG. 8



→ 8

FIG. 9

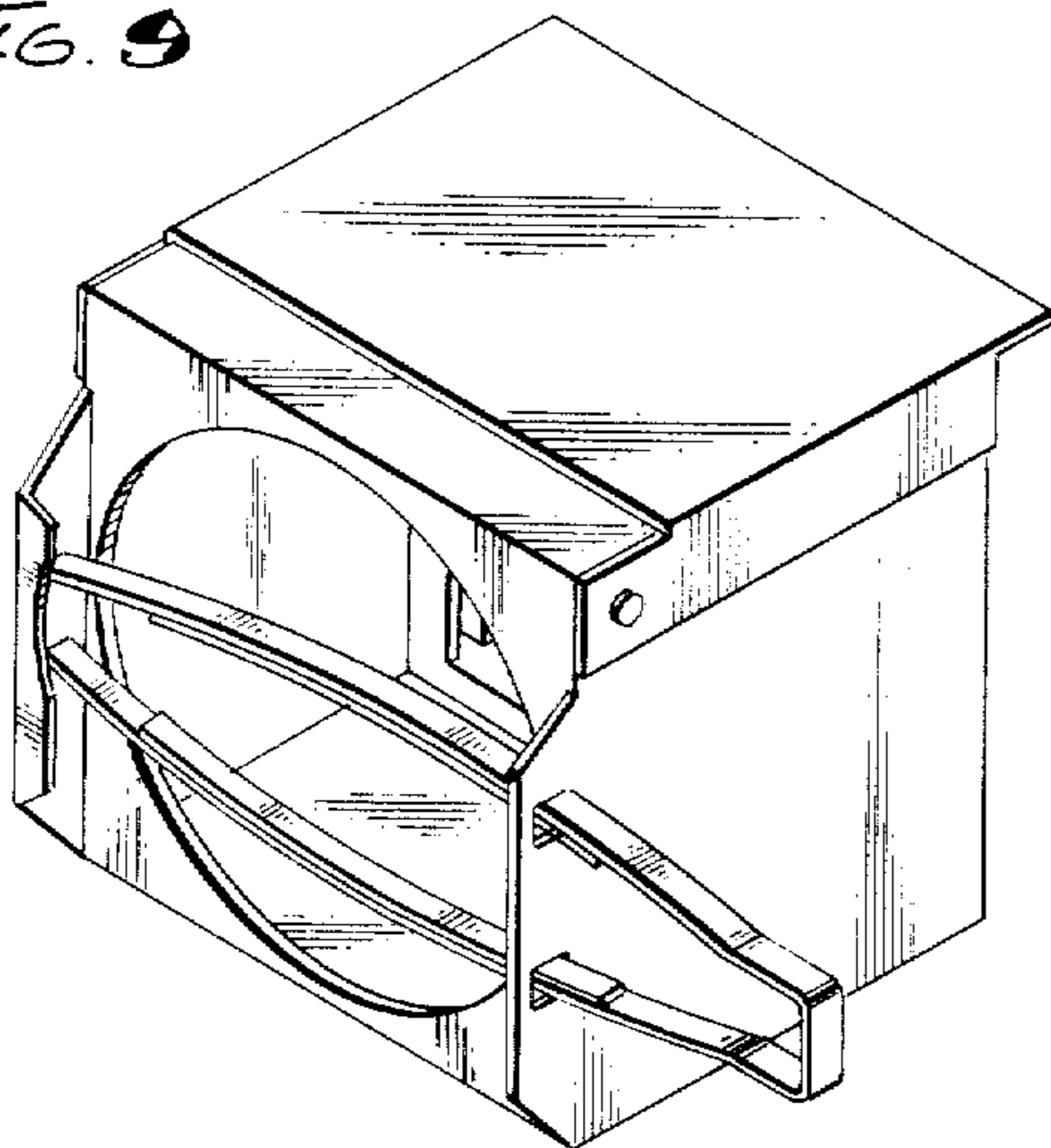


FIG. 10

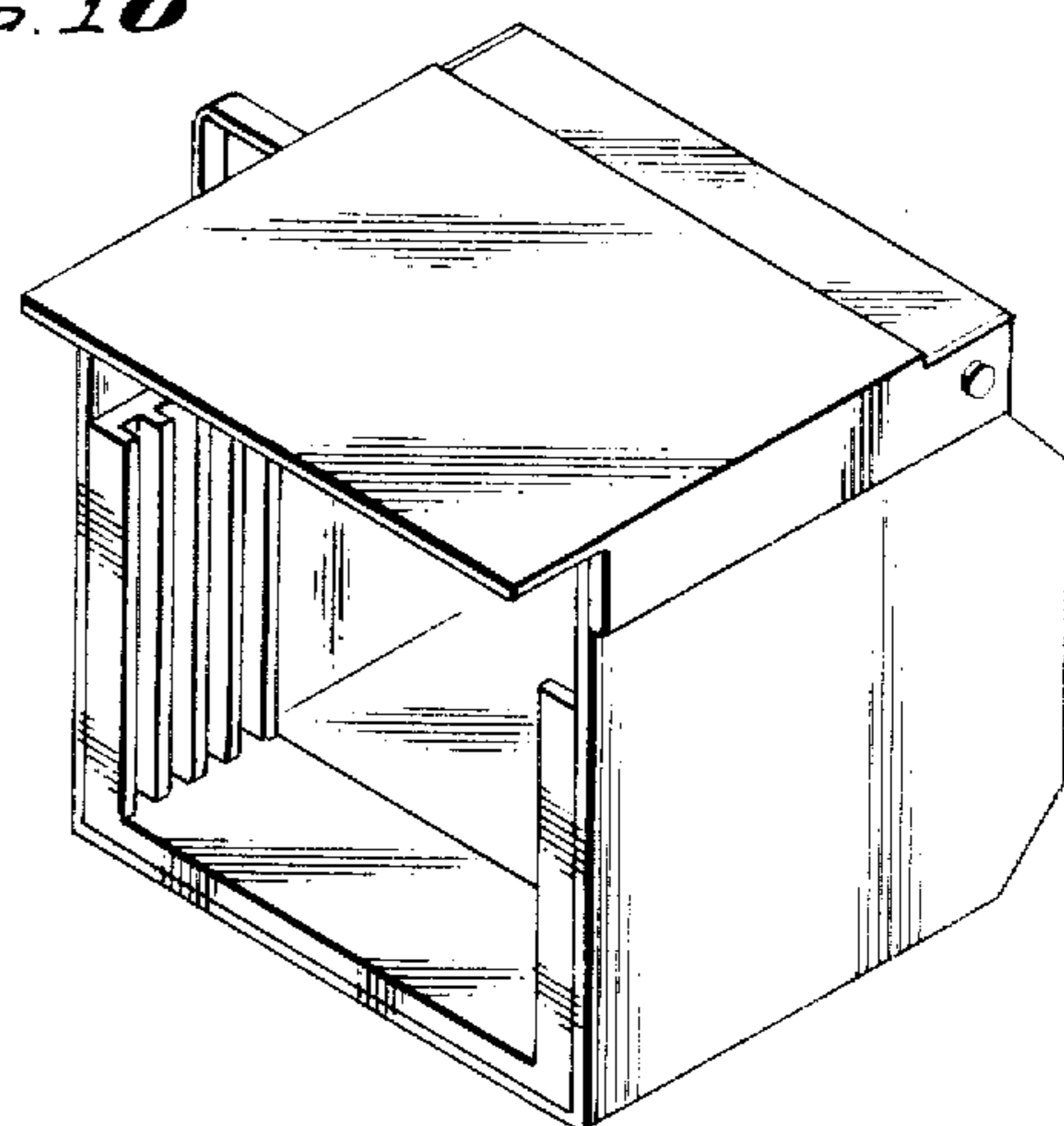


FIG. 11

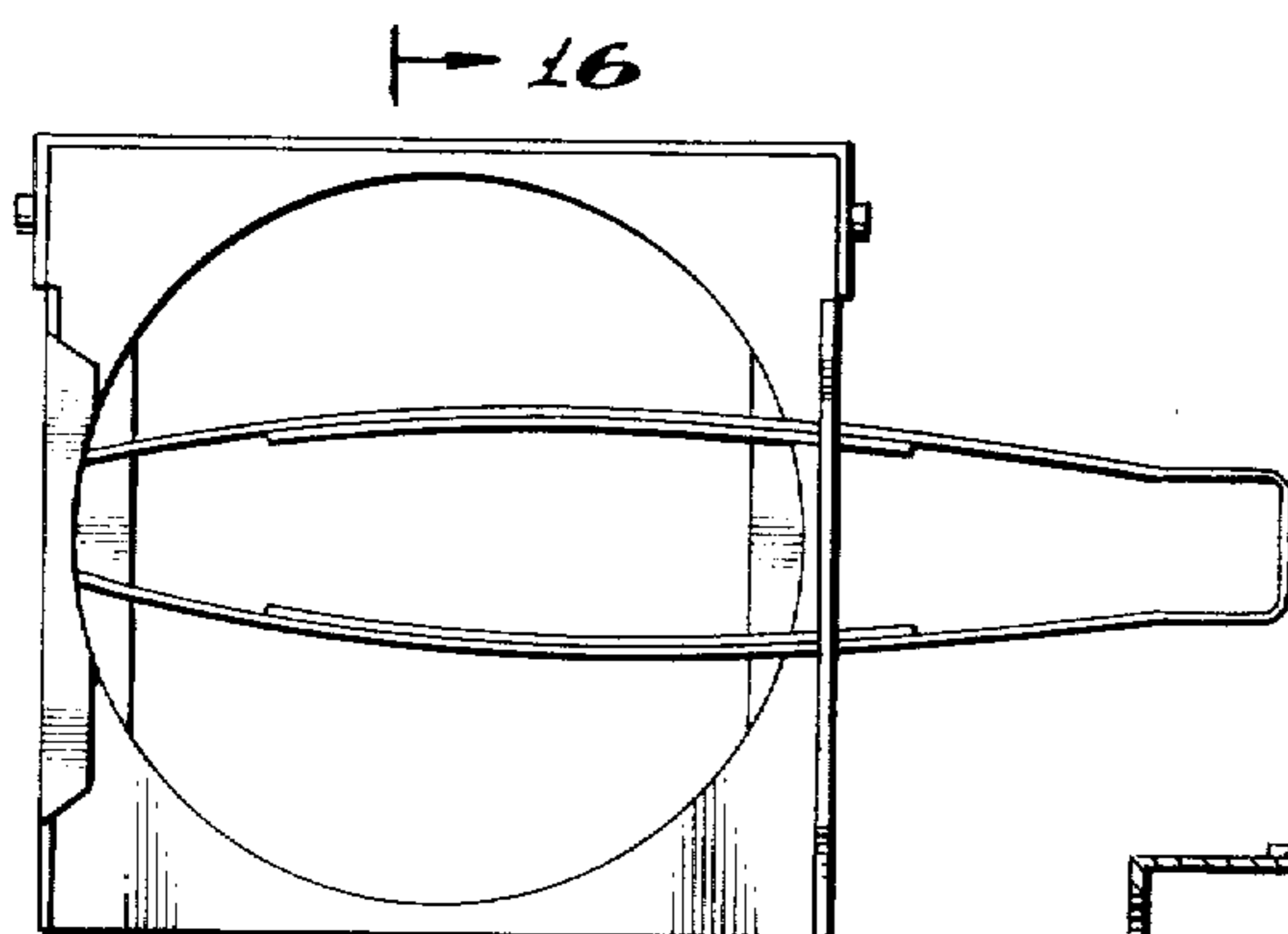


FIG. 12

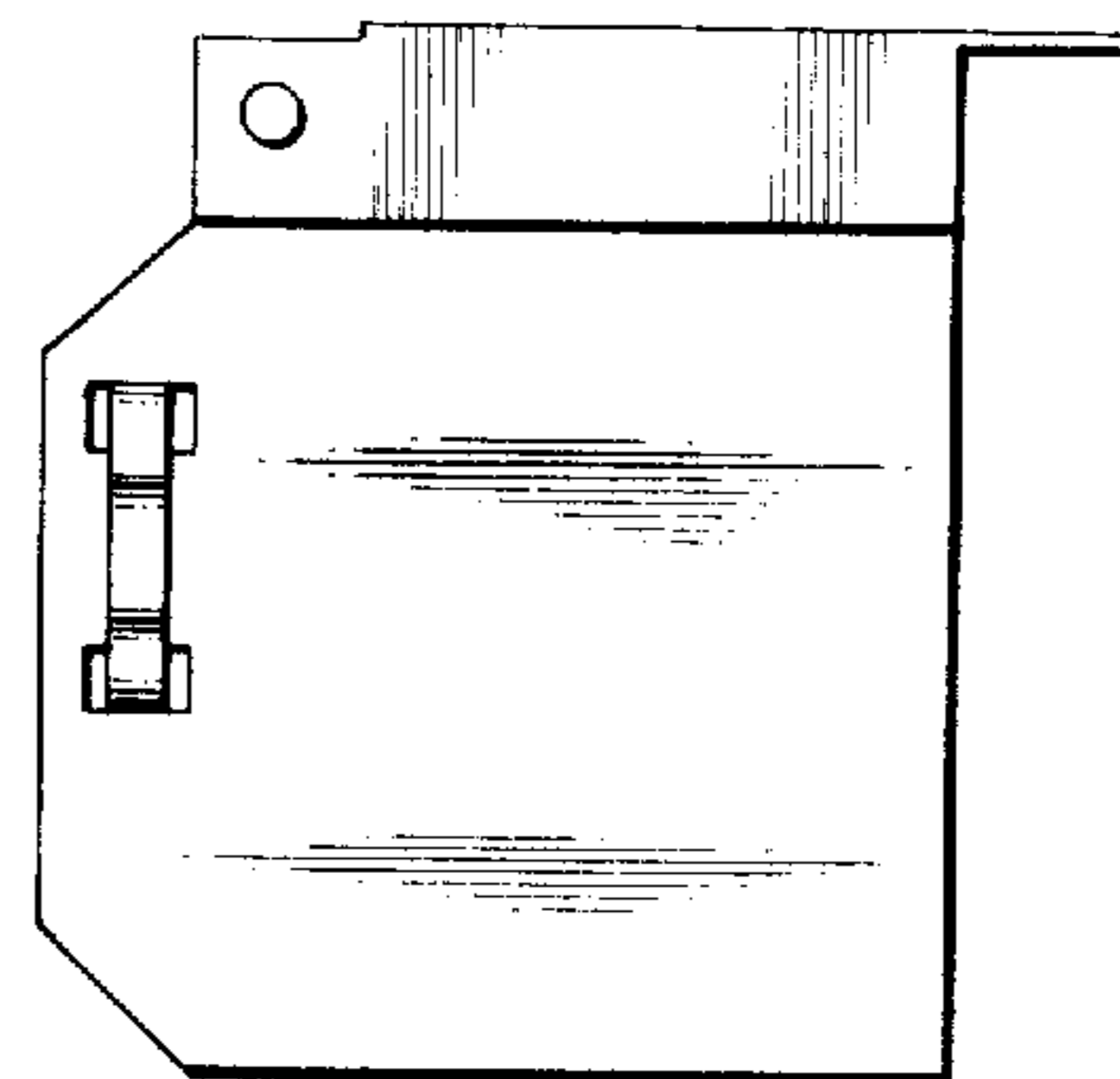


FIG. 16

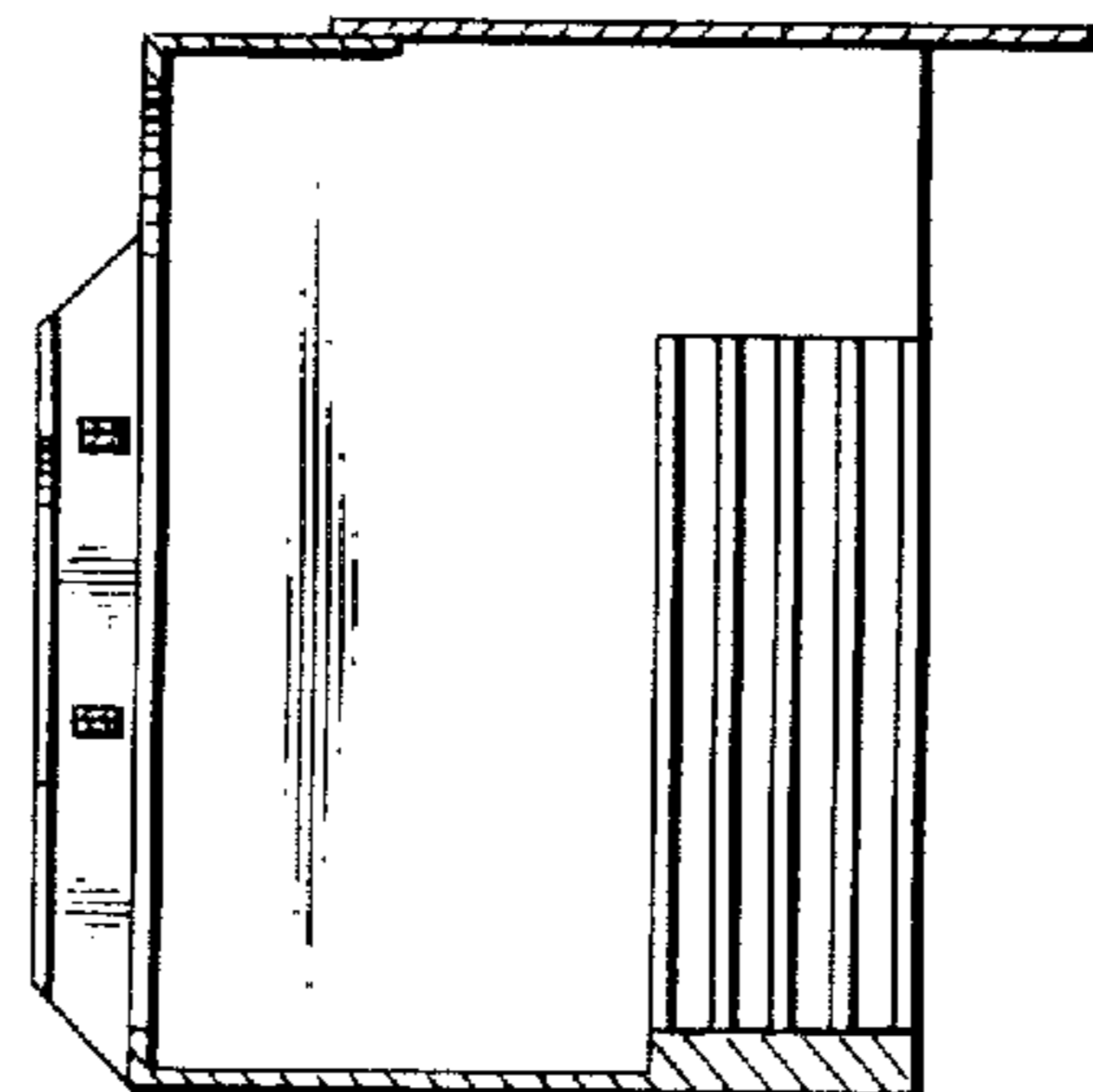


FIG. 16

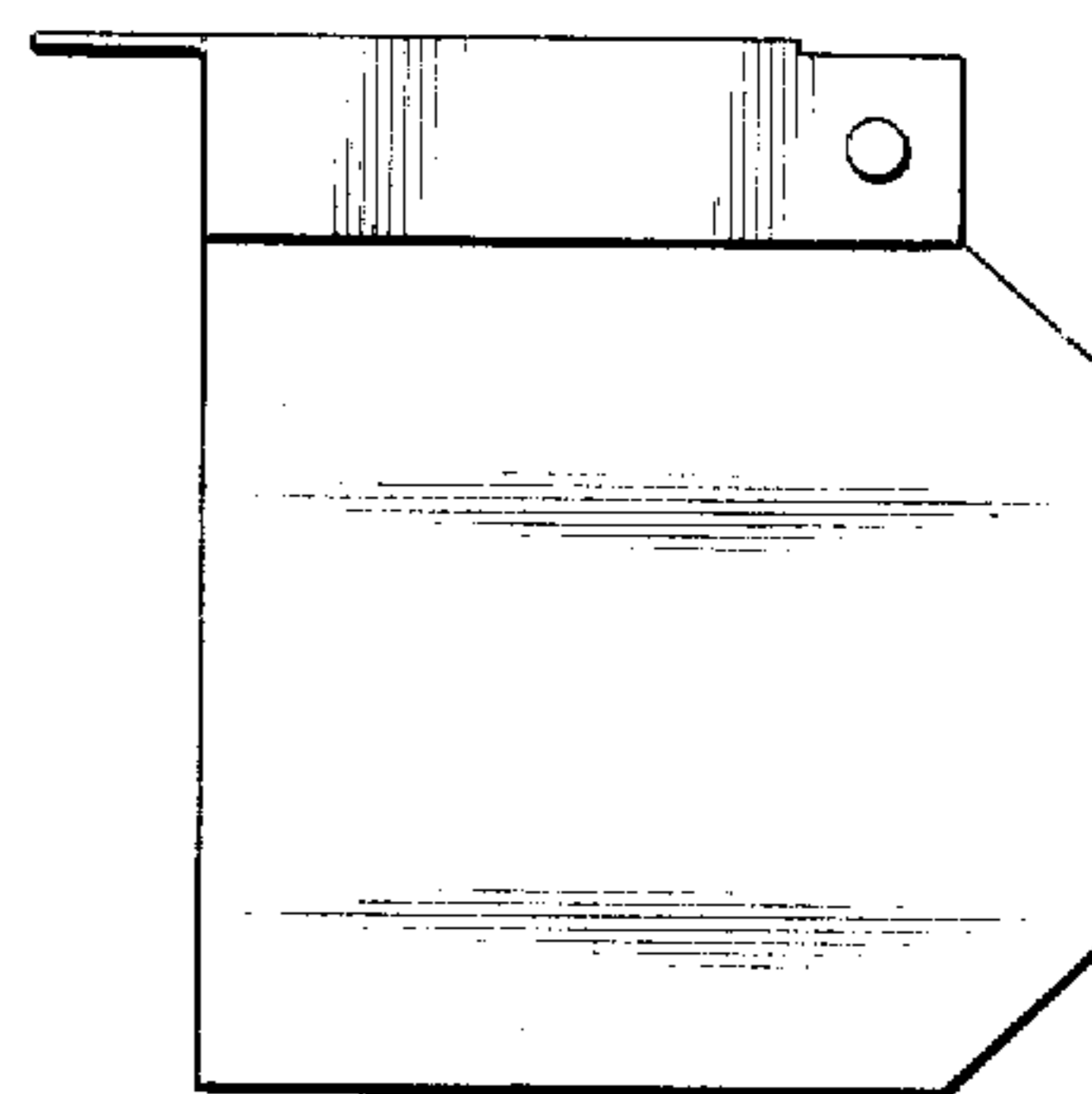


FIG. 13

FIG. 14

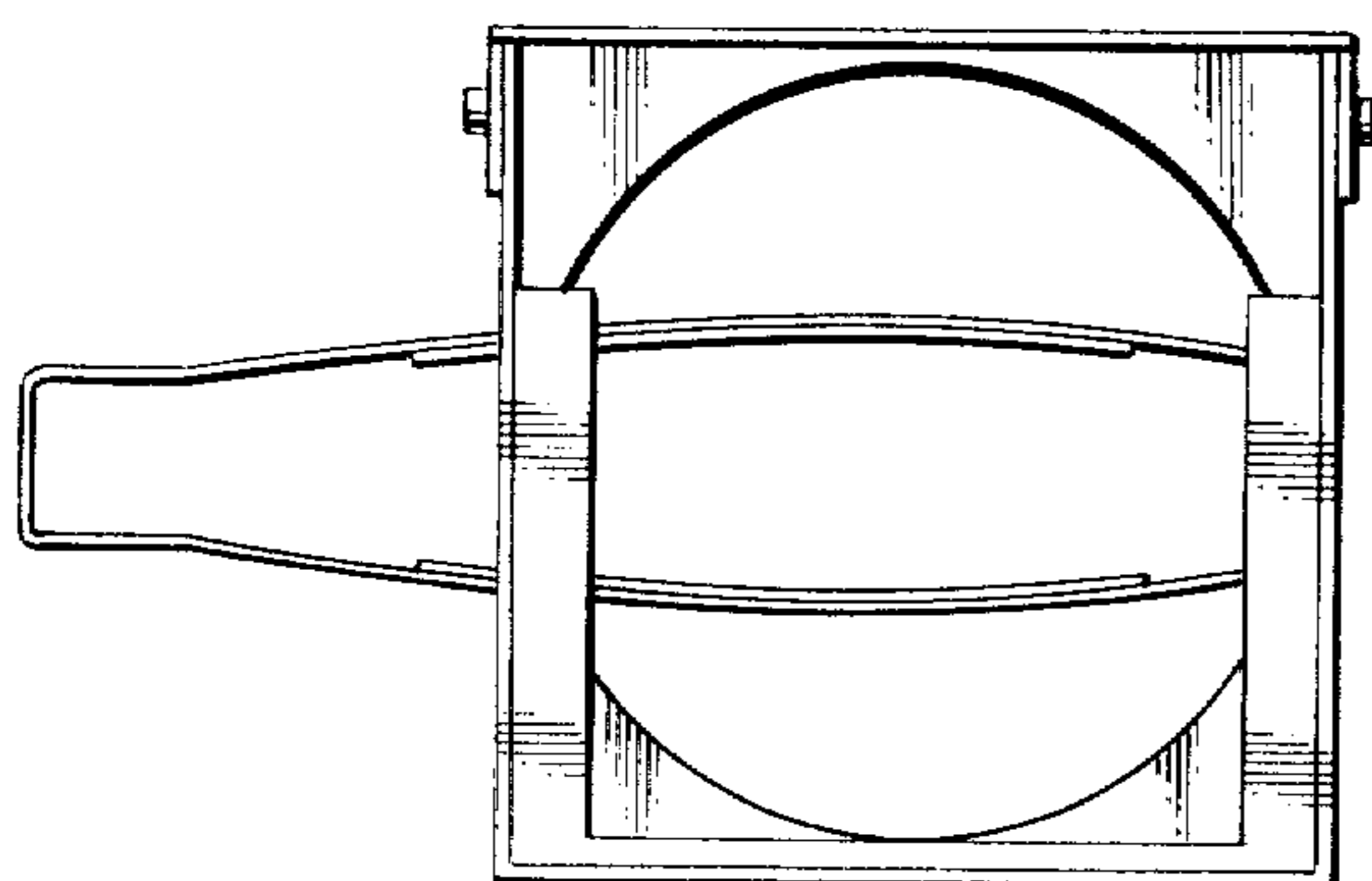


FIG. 15

