

[54] HAND HELD TRANSPARENCY PROJECTOR

[75] Inventors: Paul D. Miller; Martin Thaler; Martin Clarke, all of New York, N.Y.

[73] Assignee: GAF Corporation, New York, N.Y.

[\*\*] Term: 14 Years

[21] Appl. No.: 91,359

[22] Filed: Nov. 5, 1979

[51] Int. Cl. .... D16-02

[52] U.S. Cl. .... D16/11

[58] Field of Search ..... D16/11, 17; 40/361-367; 350/4.1, 4.2; 353/1, 2

[56] References Cited

U.S. PATENT DOCUMENTS

D. 216,839	3/1970	Rhondes et al.	.....	D16/11
2,550,799	5/1951	Fuller	.....	40/364
4,149,776	4/1979	Everett, Jr.	.....	40/364

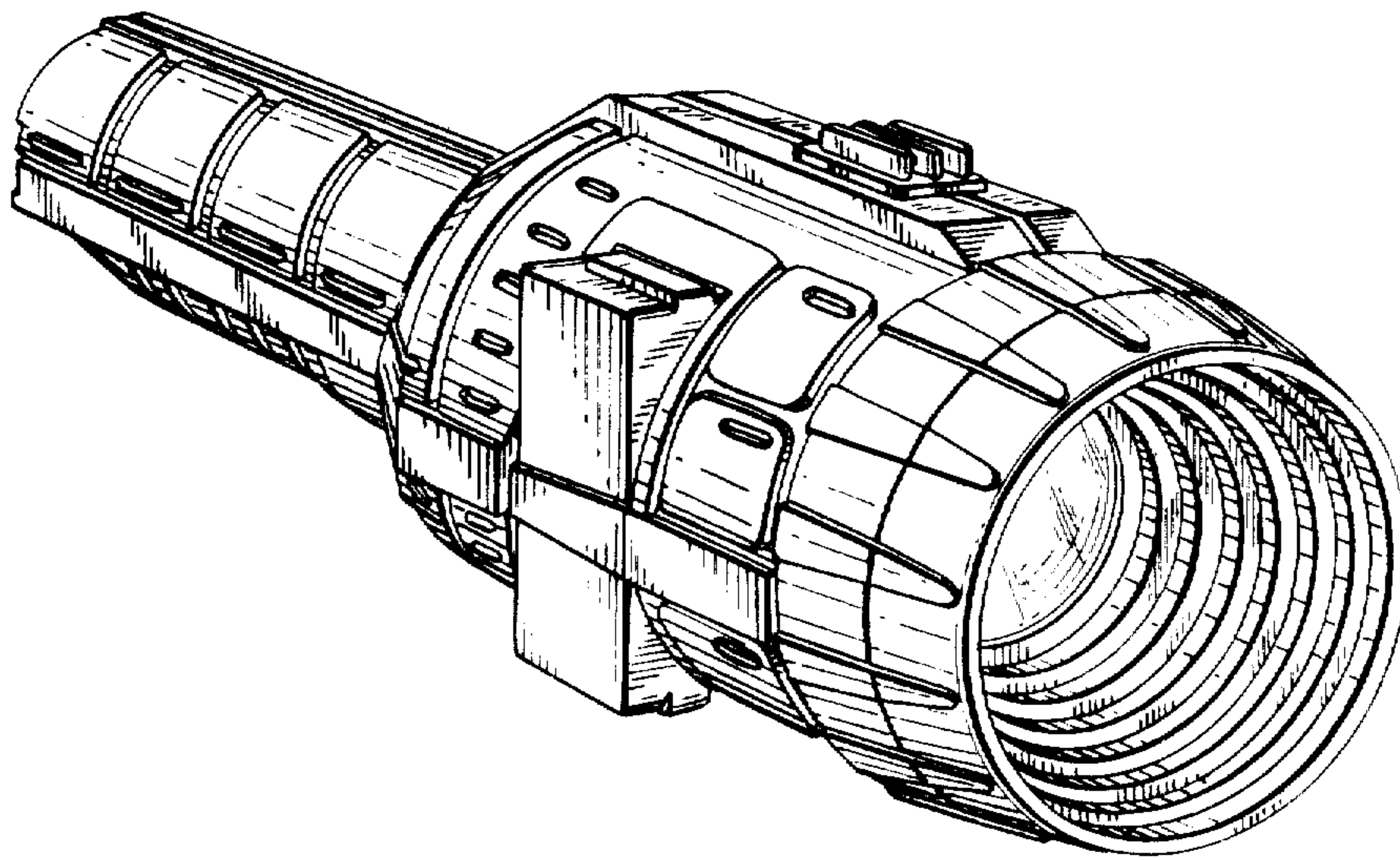
Primary Examiner—Peter M. Caun  
Attorney, Agent, or Firm—James Magee, Jr.; J. Gary Mohr

[57] CLAIM

The ornamental design for a hand held transparency projector, substantially as shown.

DESCRIPTION

FIG. 1 is a perspective view showing the hand held transparency projector embodying our new design; FIG. 2 is a front elevation view thereof; FIG. 3 is a rear elevation view thereof; FIG. 4 is a right side view thereof; FIG. 5 is a top plan view thereof; FIG. 6 is a bottom plan view thereof; and FIG. 7 is a left side view thereof.



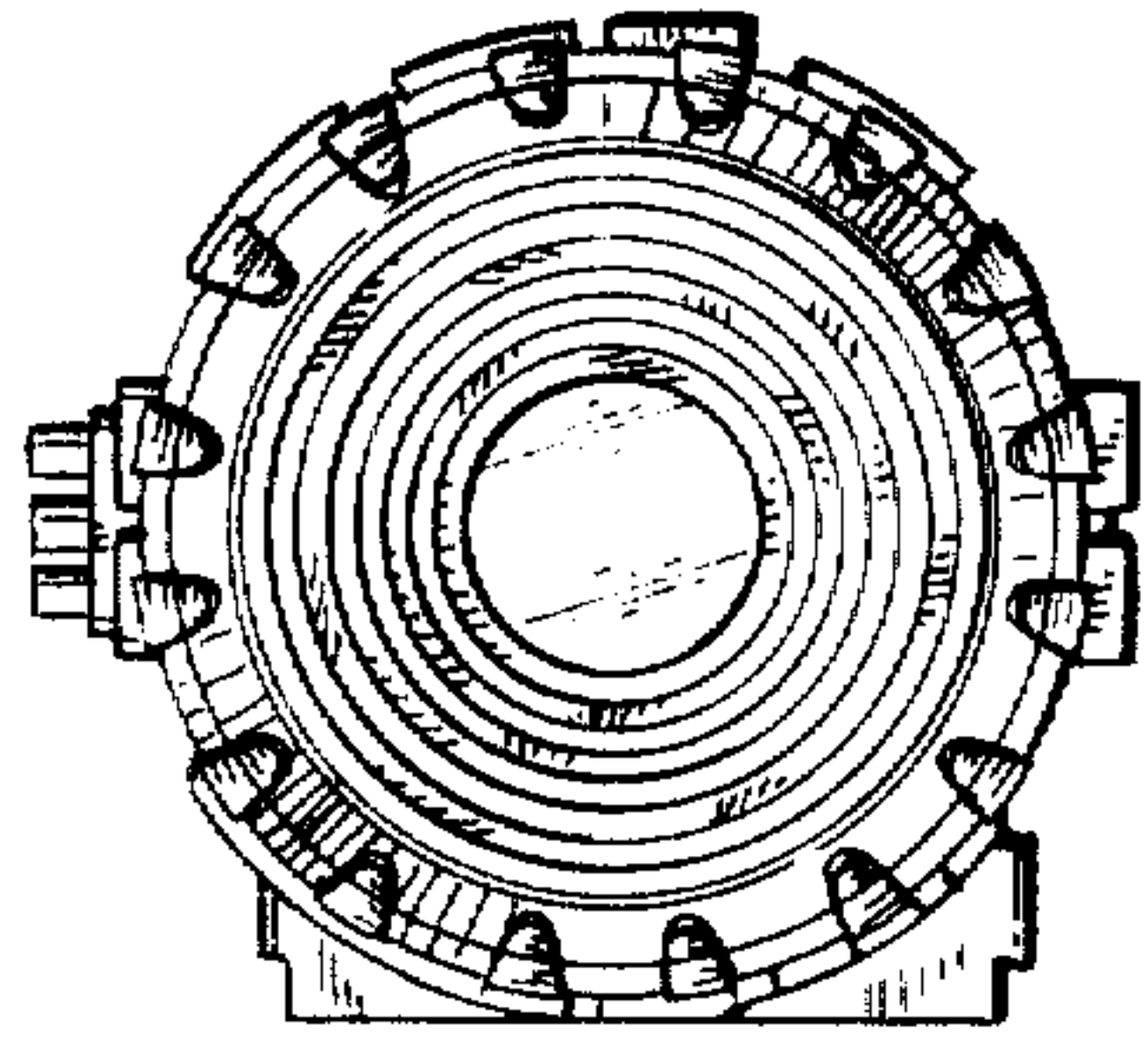


FIG. 2

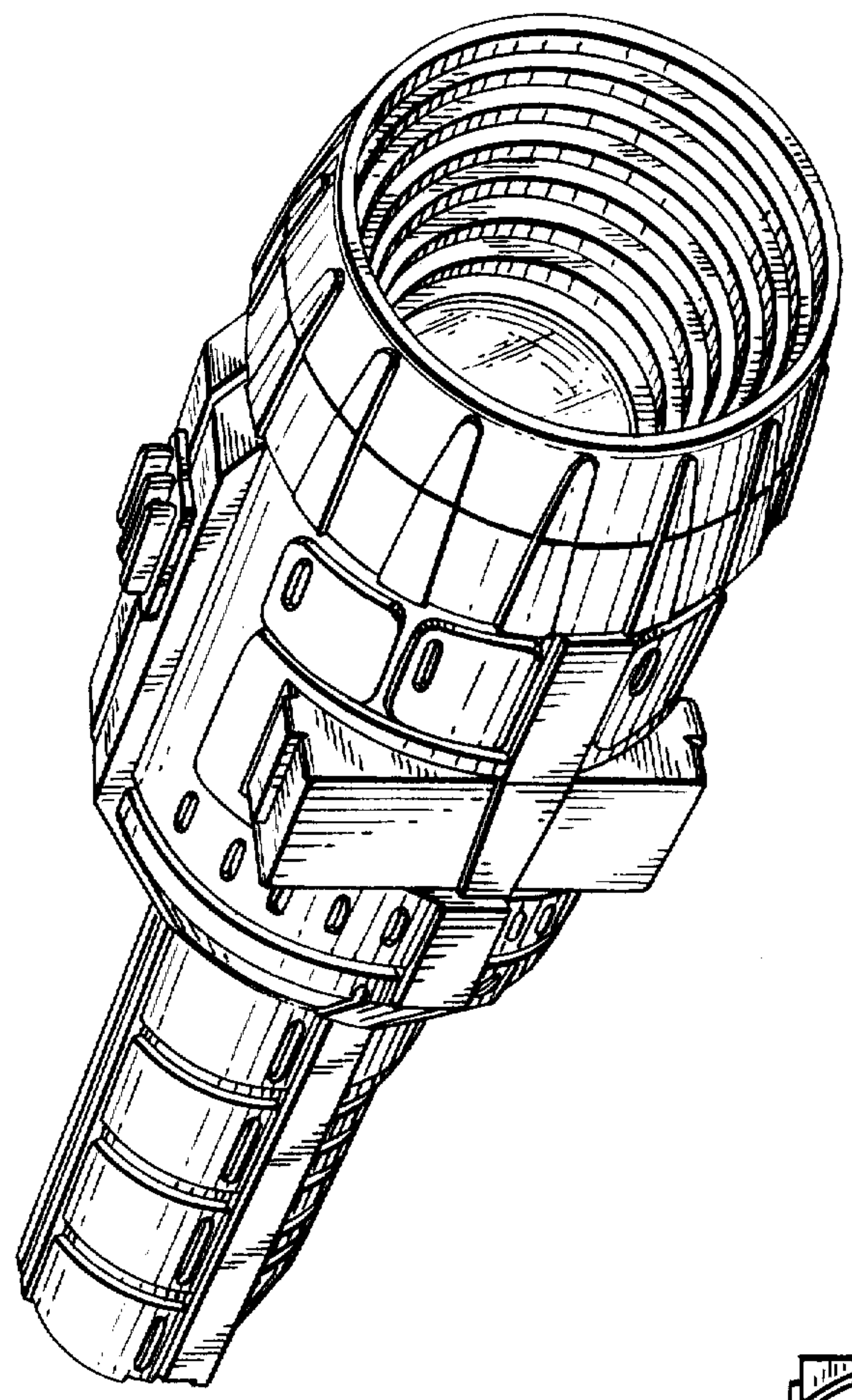


FIG. 1

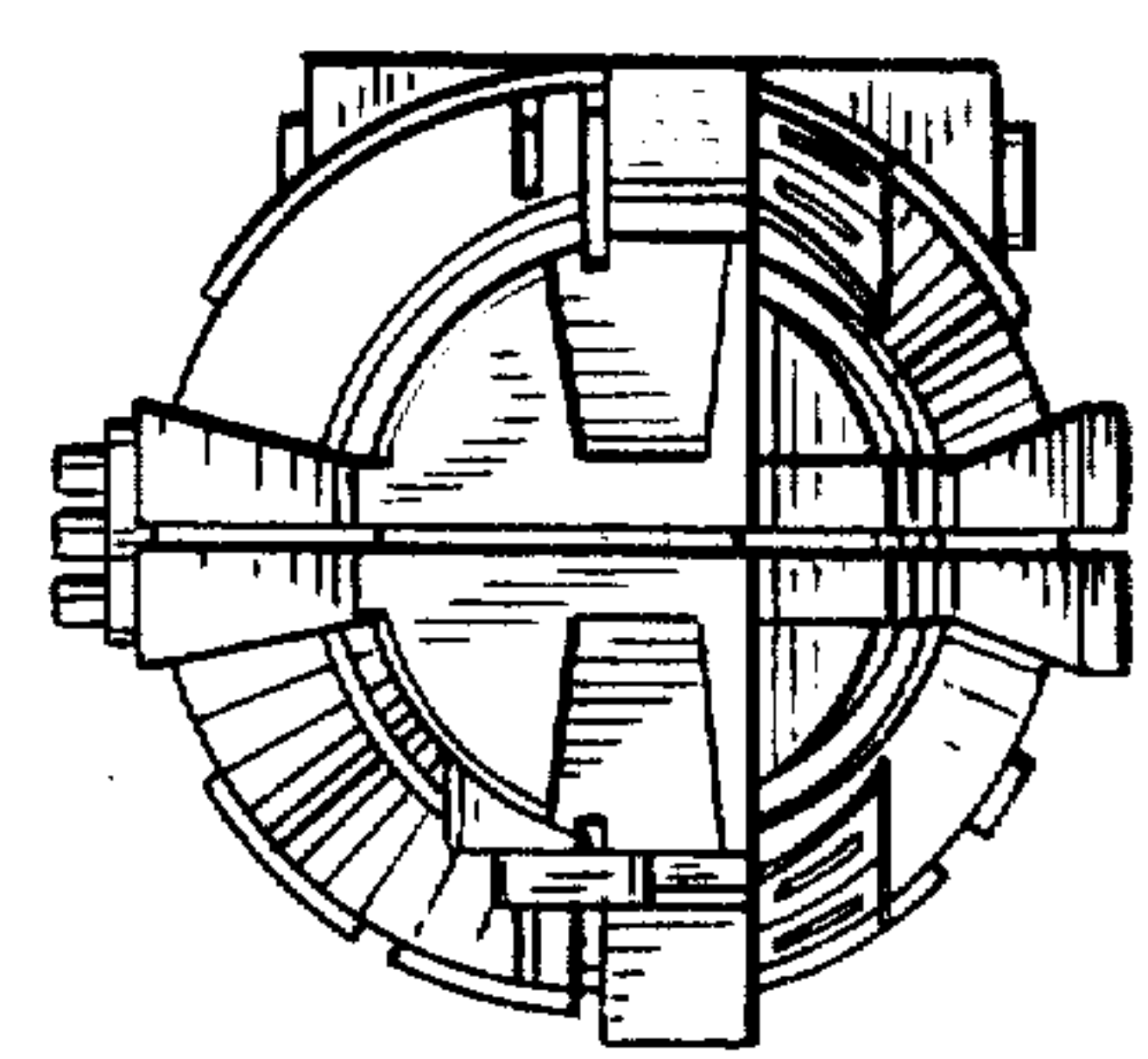


FIG. 3

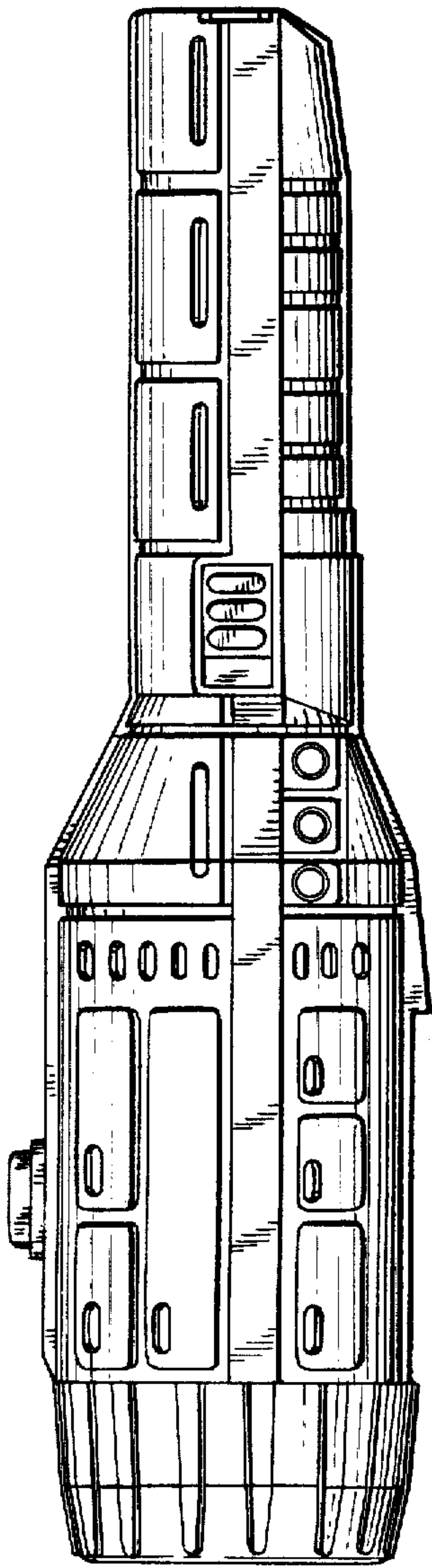


FIG. 4

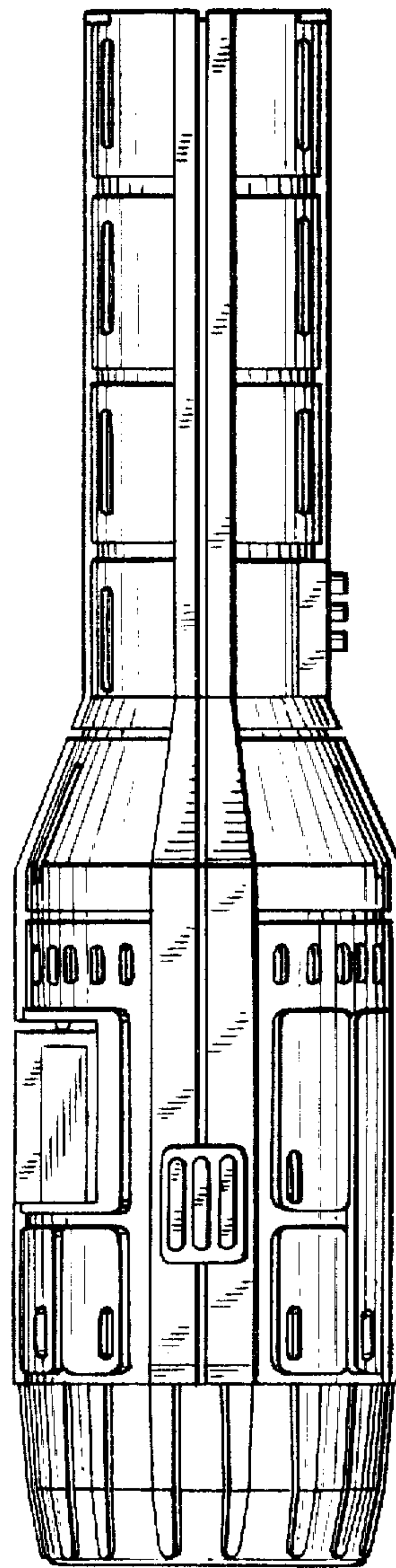


FIG. 5



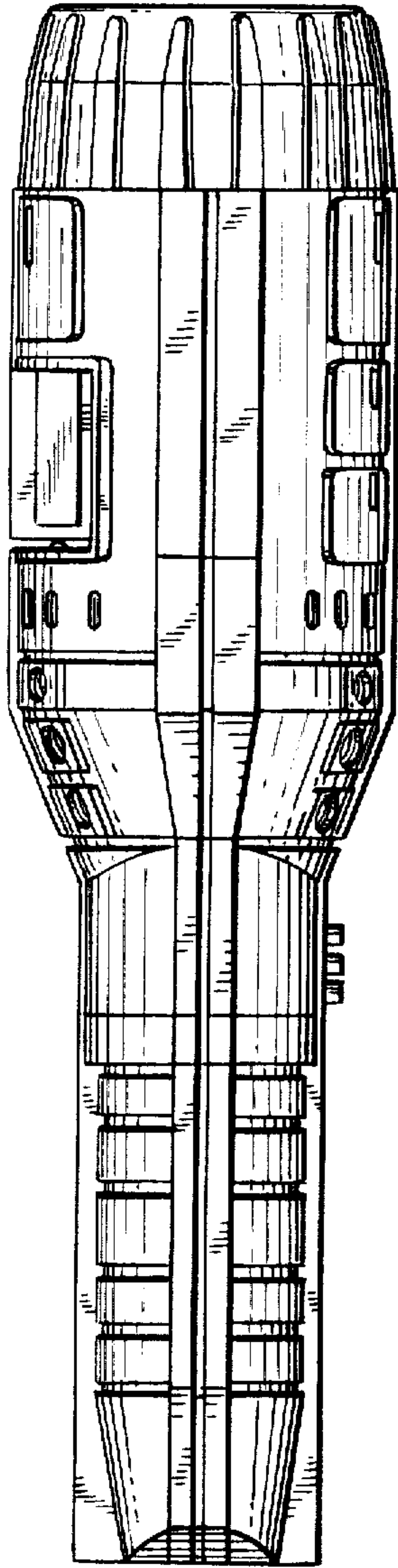


FIG. 6

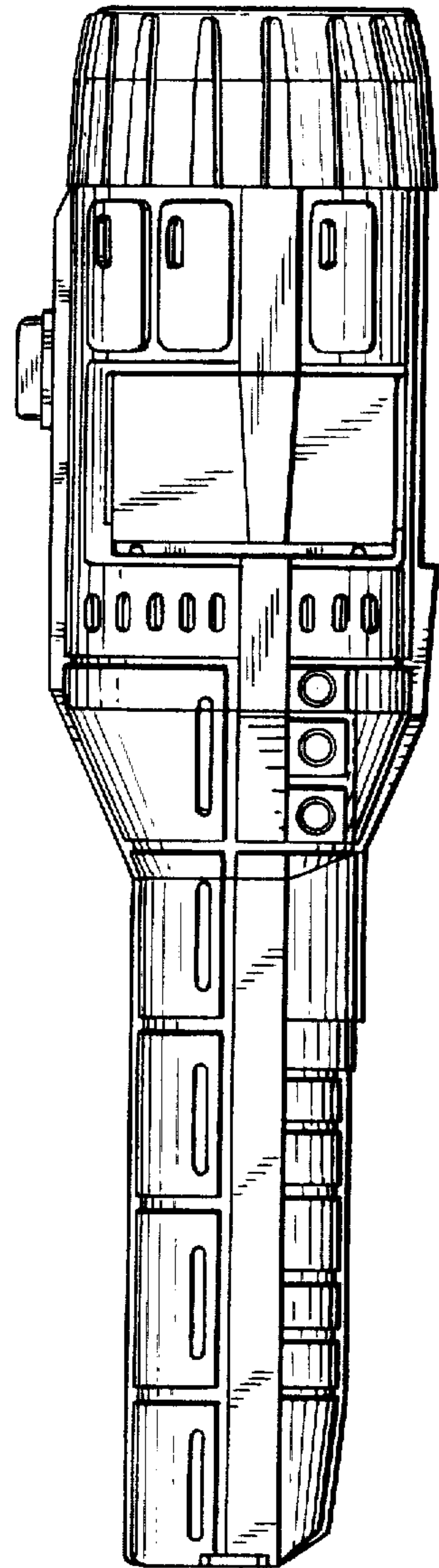


FIG. 7