

[54] DISC DRIVE ASSEMBLY

[75] Inventors: Syed H. Iftikar, Fremont; David L. Reeck, San Jose; Alan F. Shugart, Aptos, all of Calif.

[73] Assignee: Shugart Technology, Scotts Valley, Calif.

[**] Term: 14 Years

[21] Appl. No.: 139,426

[22] Filed: Apr. 11, 1980

[51] Int. Cl. D14-02

[52] U.S. Cl. D14/109

[58] Field of Search D14/100-111, D14/113, 114, 115; 360/97, 98

[56] References Cited

U.S. PATENT DOCUMENTS

D. 244,387 5/1977 Butsch D14/109
3,899,794 8/1975 Brown, Jr. D14/109 X

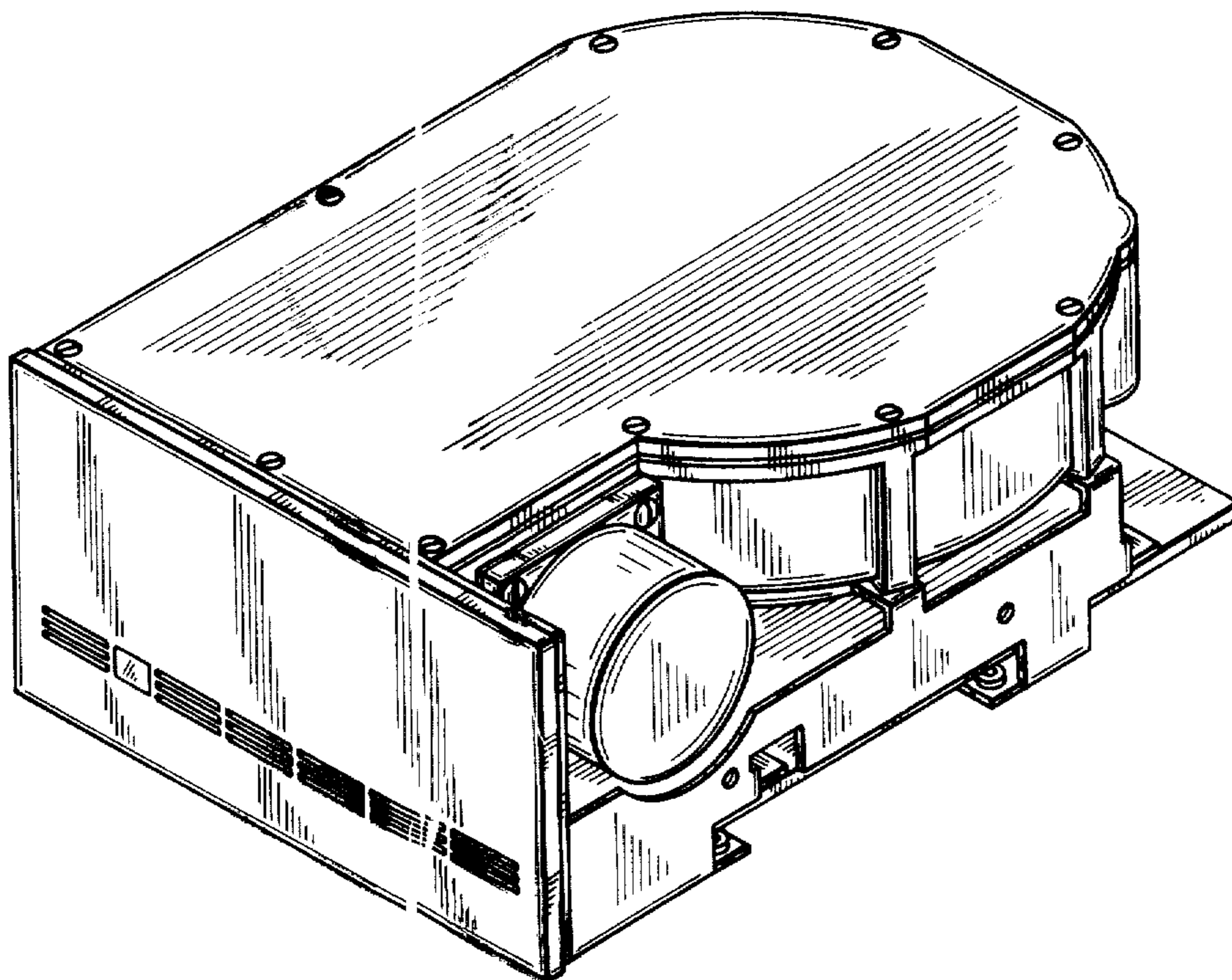
Primary Examiner—Susan J. Lucas
Attorney, Agent, or Firm—Flehr, Hohbach, Test

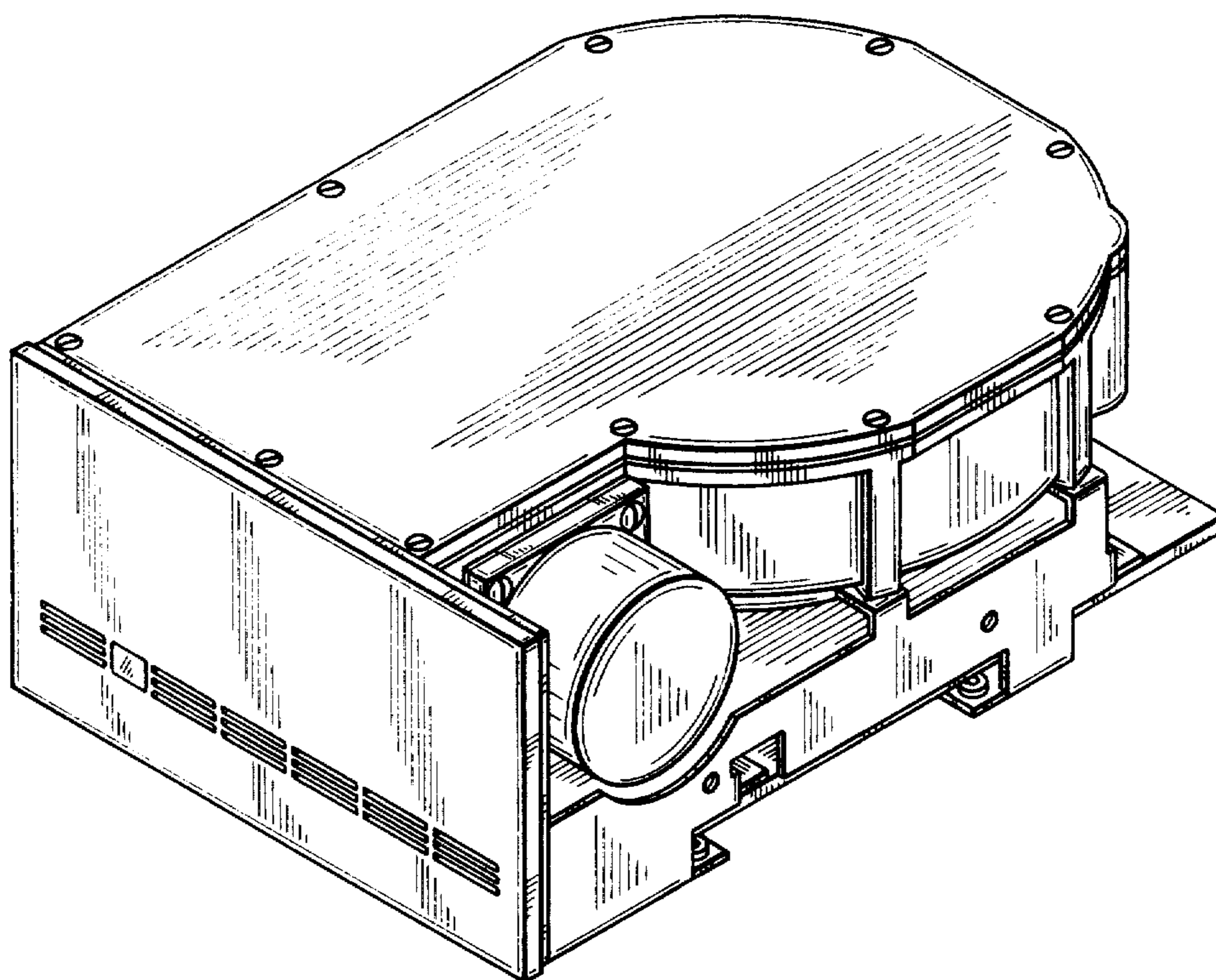
[57] CLAIM

The ornamental design for a disc drive assembly, as shown and described.

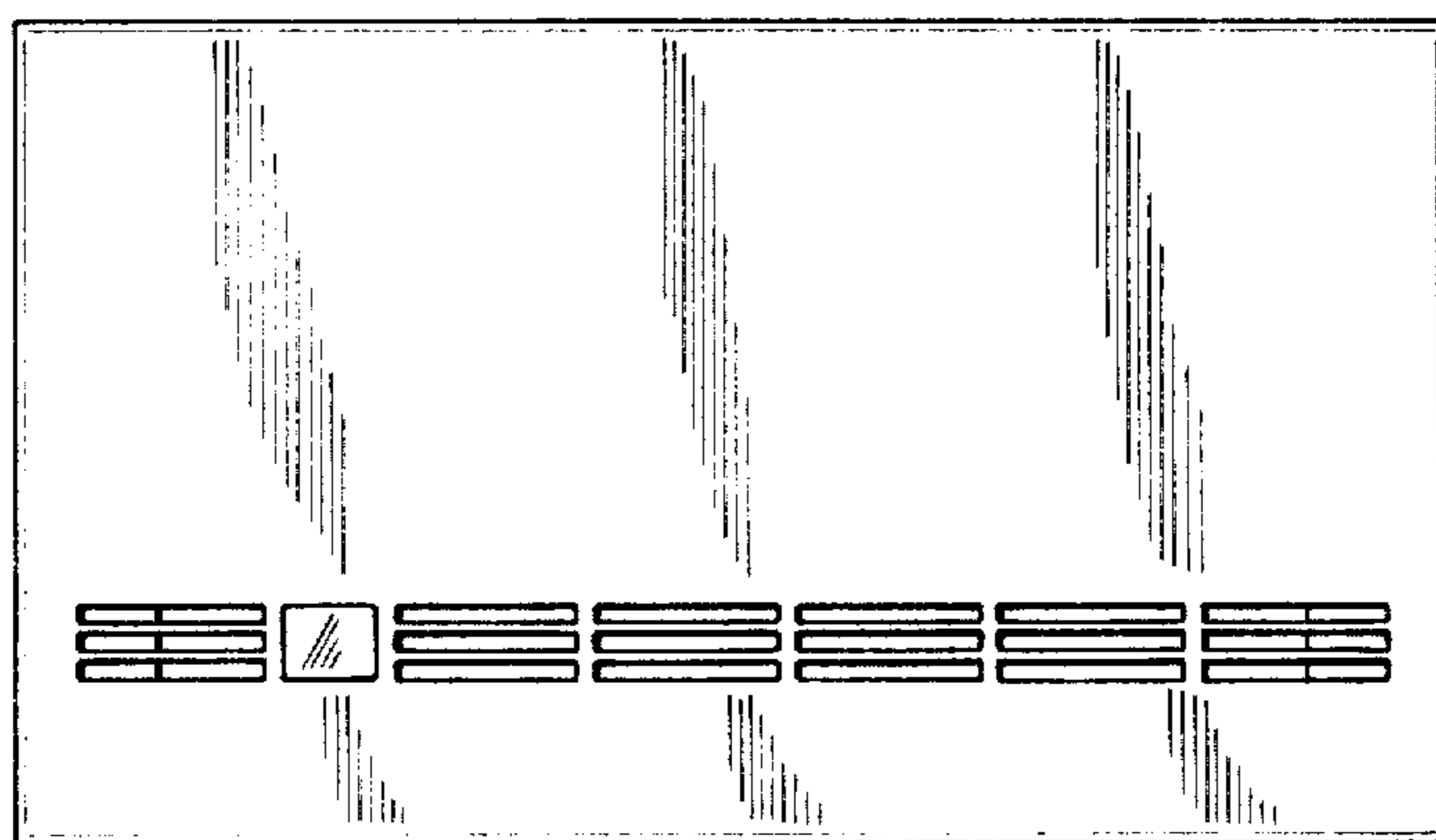
DESCRIPTION

FIG. 1 is a perspective view of the disc drive assembly showing our new design;
FIG. 2 is a front elevational view thereof on an enlarged scale;
FIG. 3 is a back view thereof on an enlarged scale;
FIG. 4 is a left elevational view thereof on an enlarged scale;
FIG. 5 is a right elevational view thereof on an enlarged scale;
FIG. 6 is a top view thereof on an enlarged scale; and
FIG. 7 is a bottom view thereof on an enlarged scale.

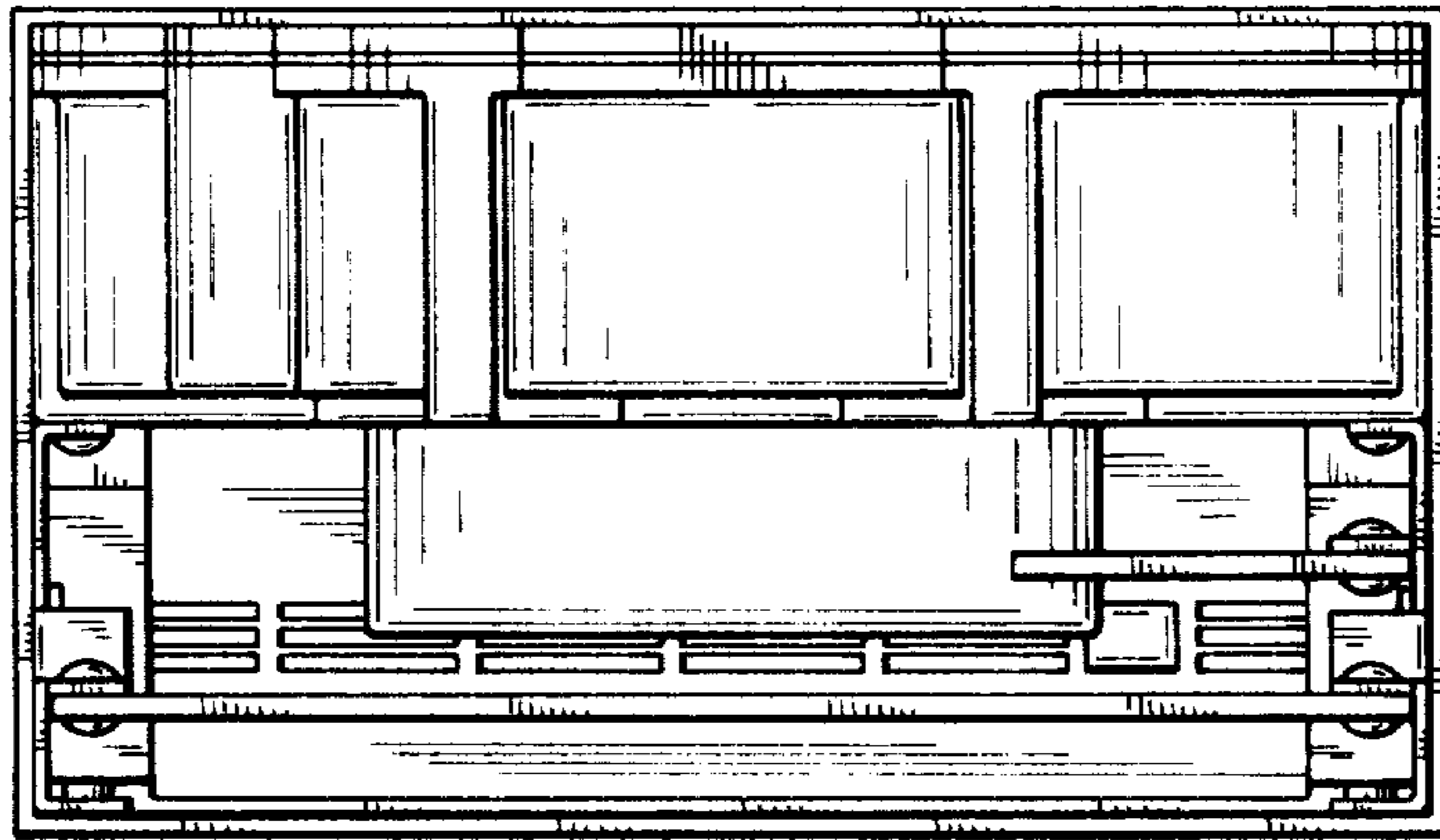




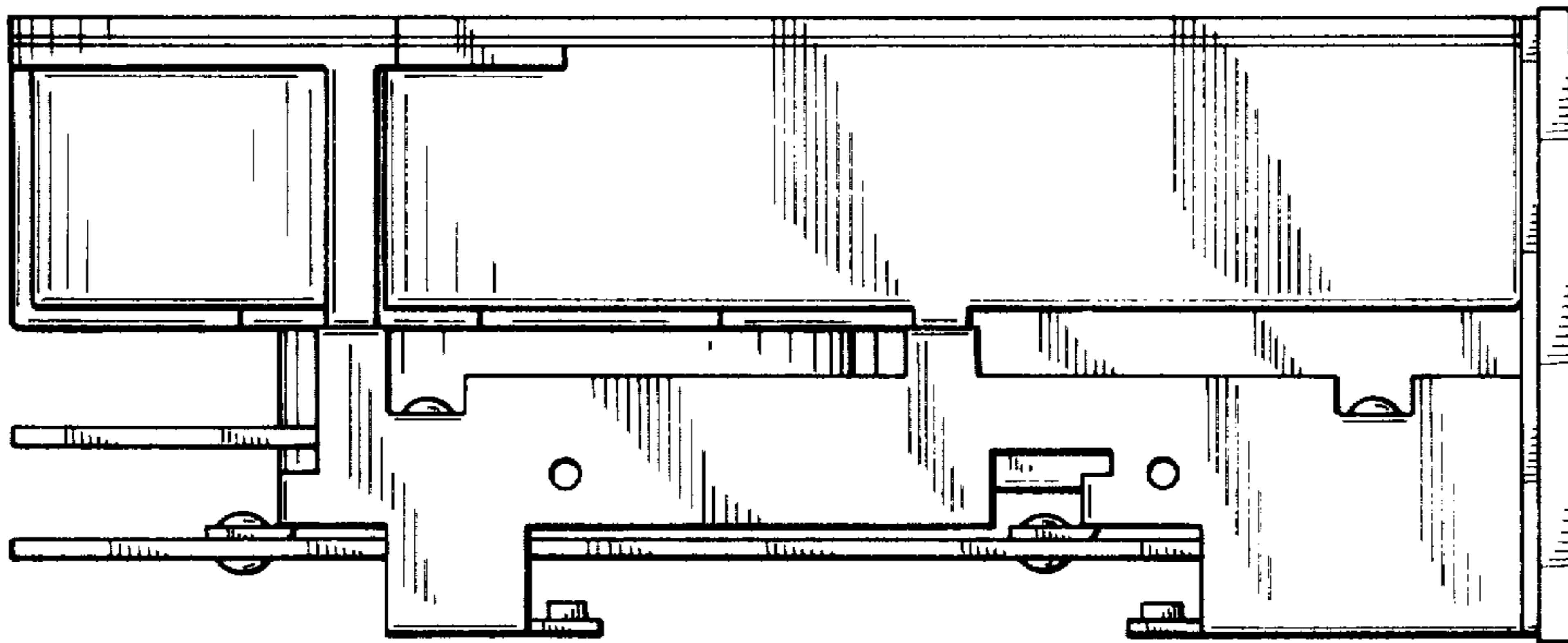
FIG_1



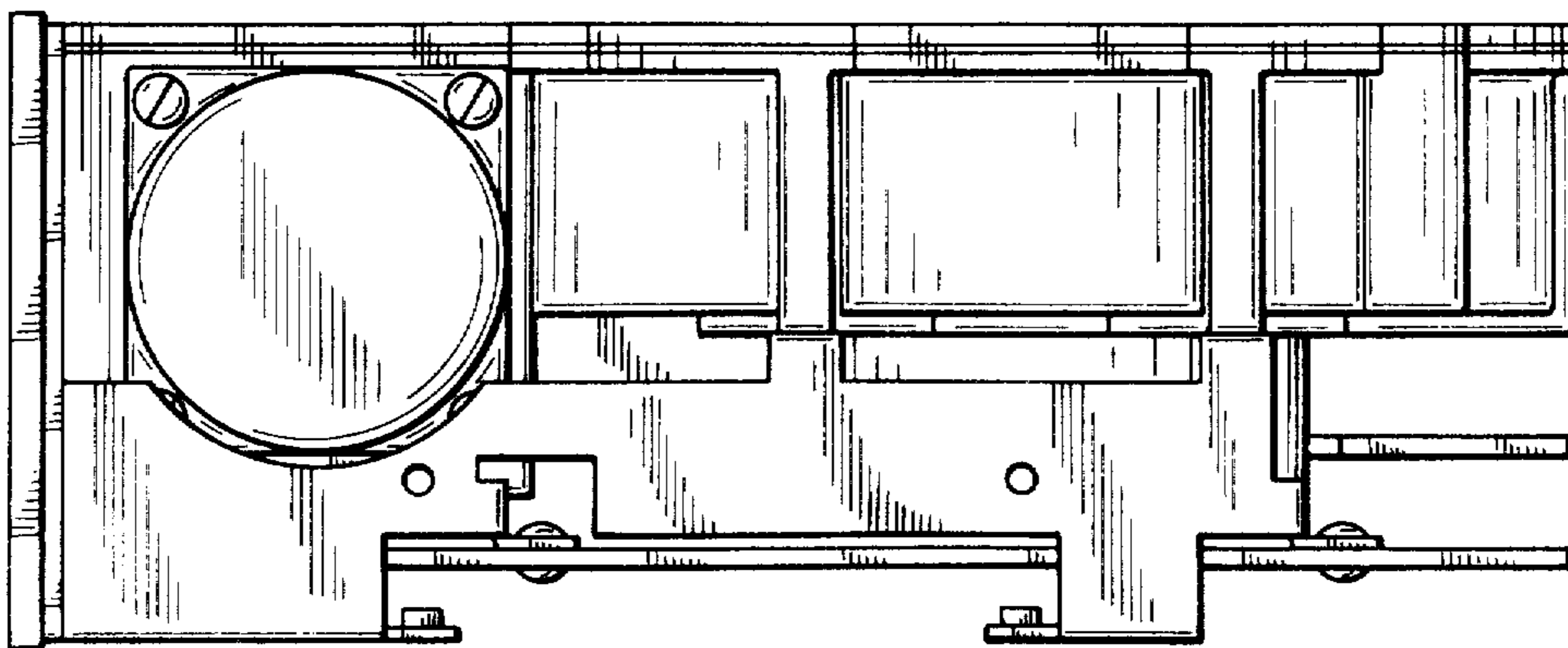
FIG_2



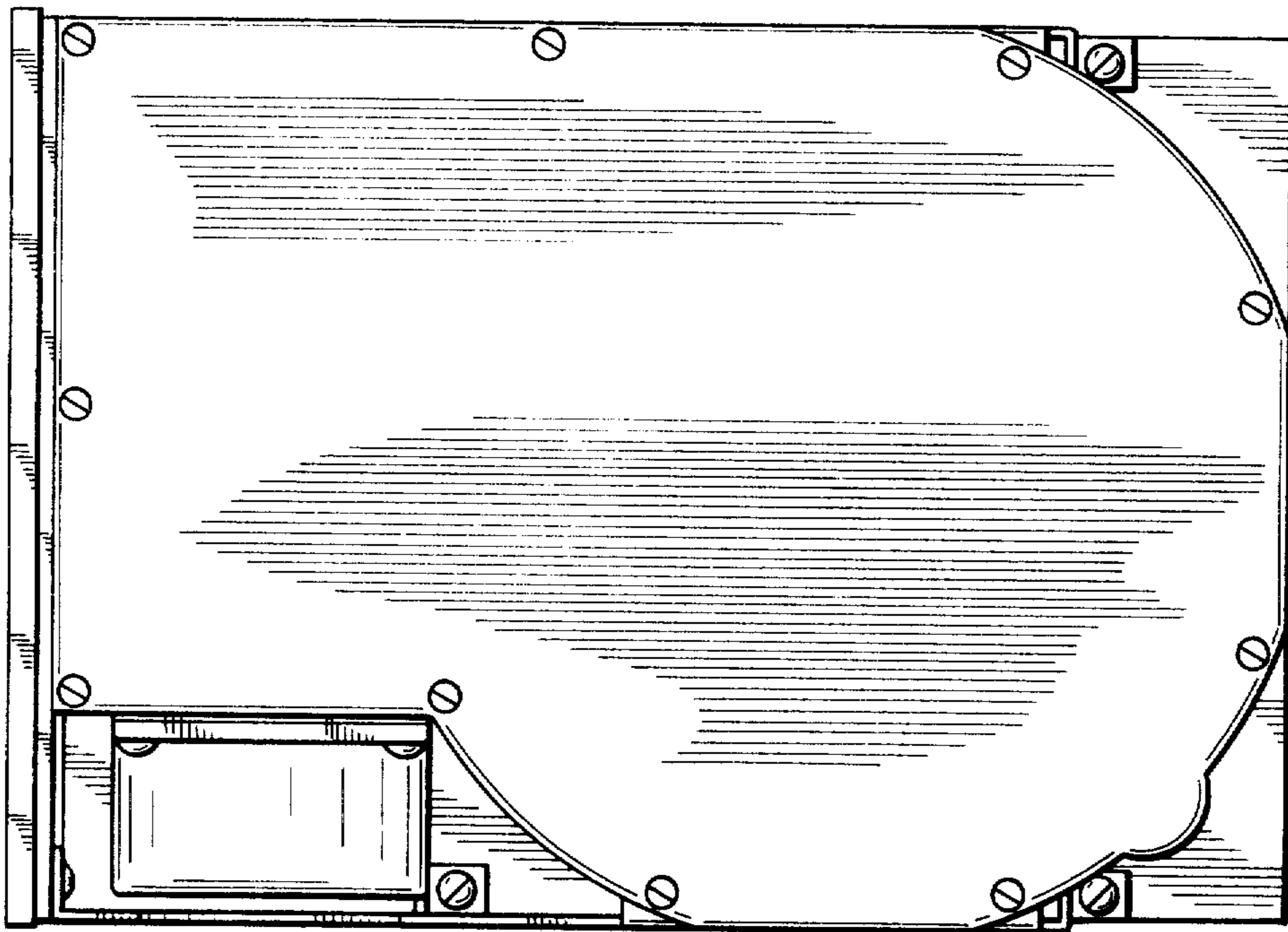
FIG_3



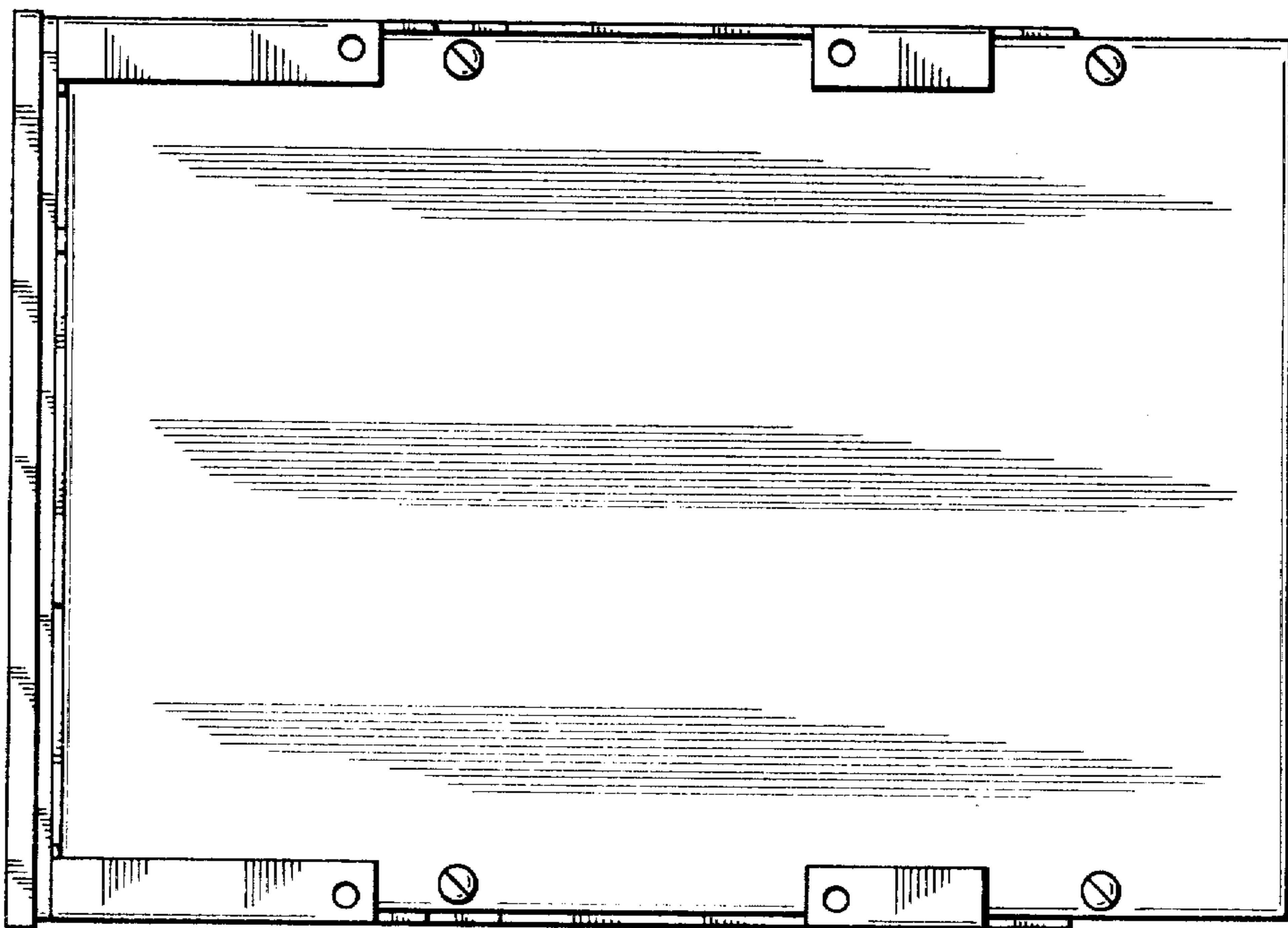
FIG_4



FIG_5



FIG_6



FIG_7