

[54] ACOUSTIC MODEM

[75] Inventor: Bayard F. Kessler, Woodland Hills, Calif.

[73] Assignee: Novation, Inc., Tarzana, Calif.

[**] Term: 14 Years

[21] Appl. No.: 130,973

[22] Filed: Mar. 17, 1980

[51] Int. Cl. D14-03

[52] U.S. Cl. D14/57

[58] Field of Search D14/12, 34, 39, 57, D14/59, 52, 95, 99; 179/1 C, 2 C

[56] References Cited

U.S. PATENT DOCUMENTS

| | | | | |
|------------|--------|---------|-------|---------|
| D. 195,958 | 8/1963 | Spilman | | D14/12 |
| 4,158,106 | 6/1979 | Mason | | 179/2 C |
| 4,246,444 | 1/1981 | Mason | | 179/2 C |

OTHER PUBLICATIONS

Livermore Data Systems, Inc., Livermore, CA, "71 Series Data Modems" ad, 1-6-71.

Primary Examiner—Jane E. Corrigan

Attorney, Agent, or Firm—Blakely, Sokoloff, Taylor & Zafman

[57] CLAIM

The ornamental design for an acoustic modem, substantially as shown.

DESCRIPTION

FIG. 1 is a front, top and right side perspective view of an acoustic modem showing my new design;

FIG. 2 is a top plan view;

FIG. 3 is a front elevational view;

FIG. 4 is a bottom plan view;

FIG. 5 is a left side elevational view; and

FIG. 6 is a right side elevational view.

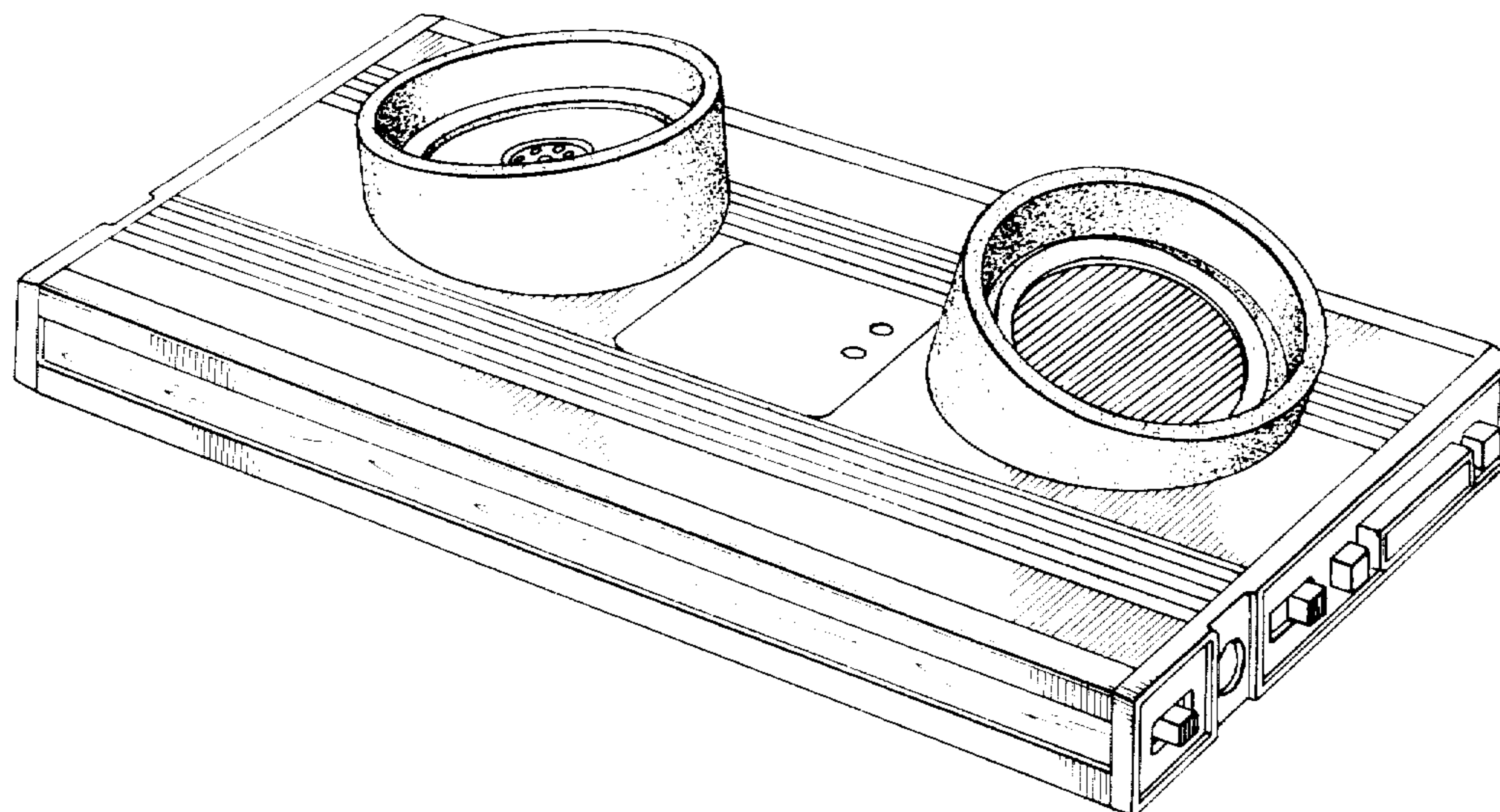


Fig. 1

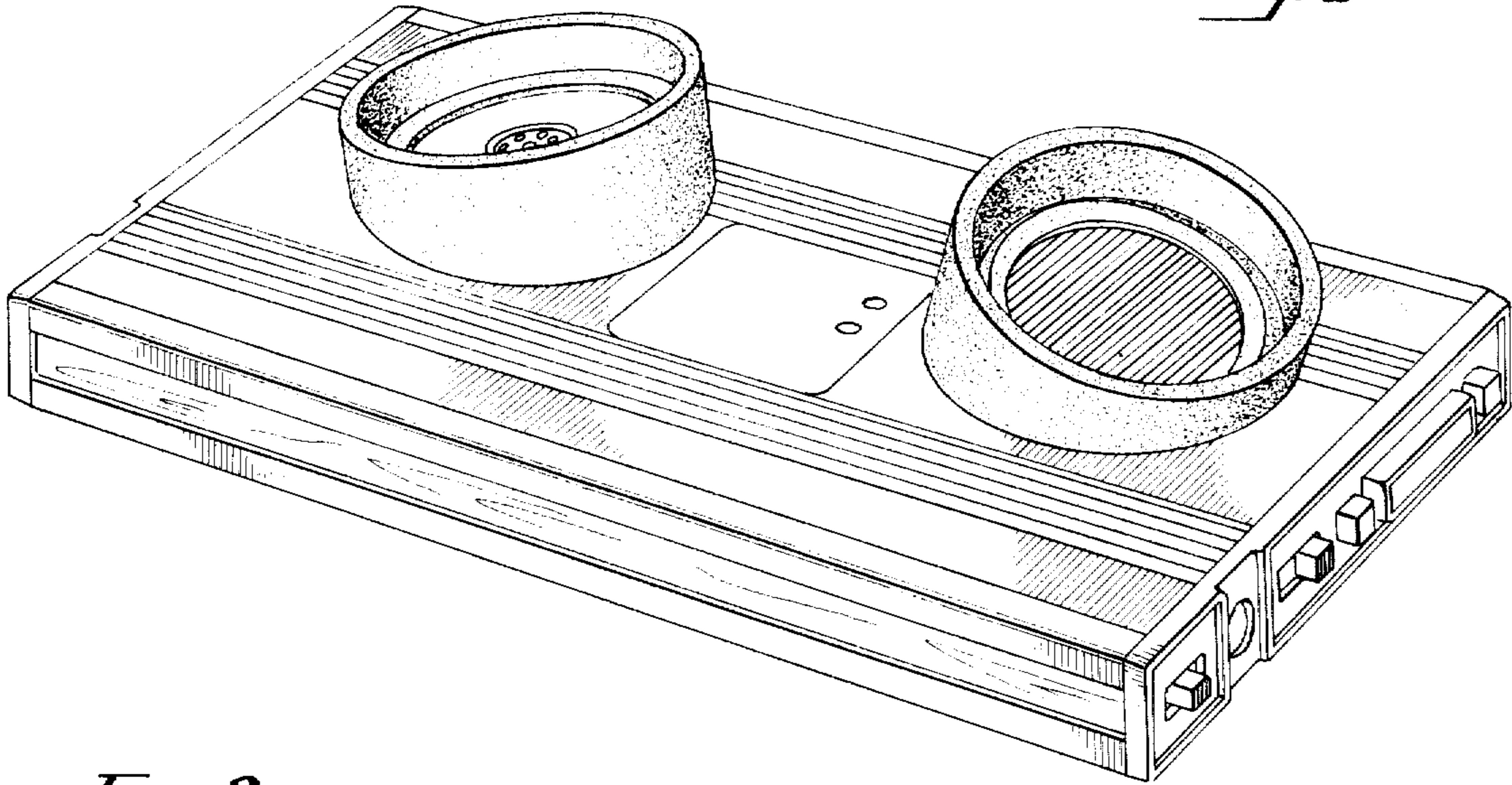


Fig. 2

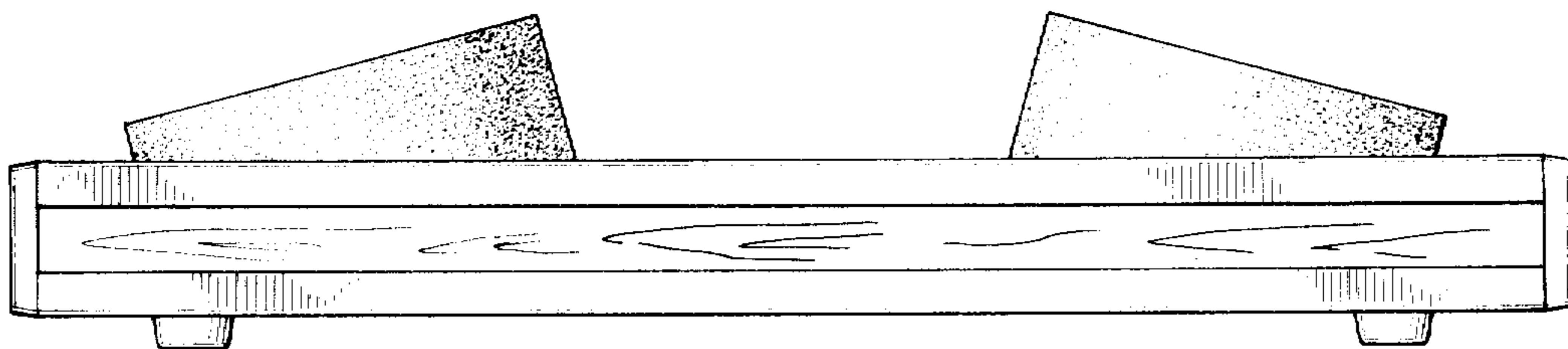
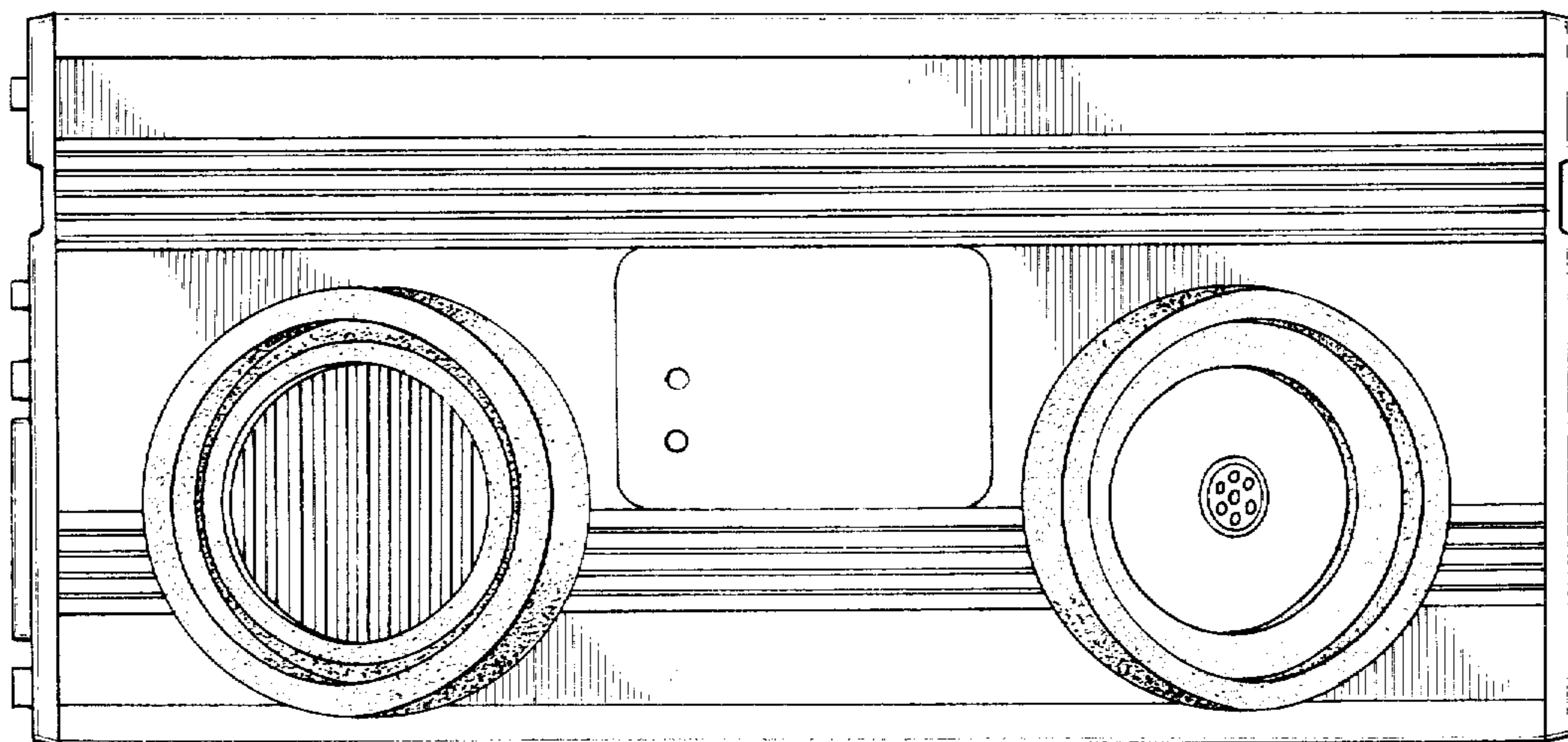


Fig. 3

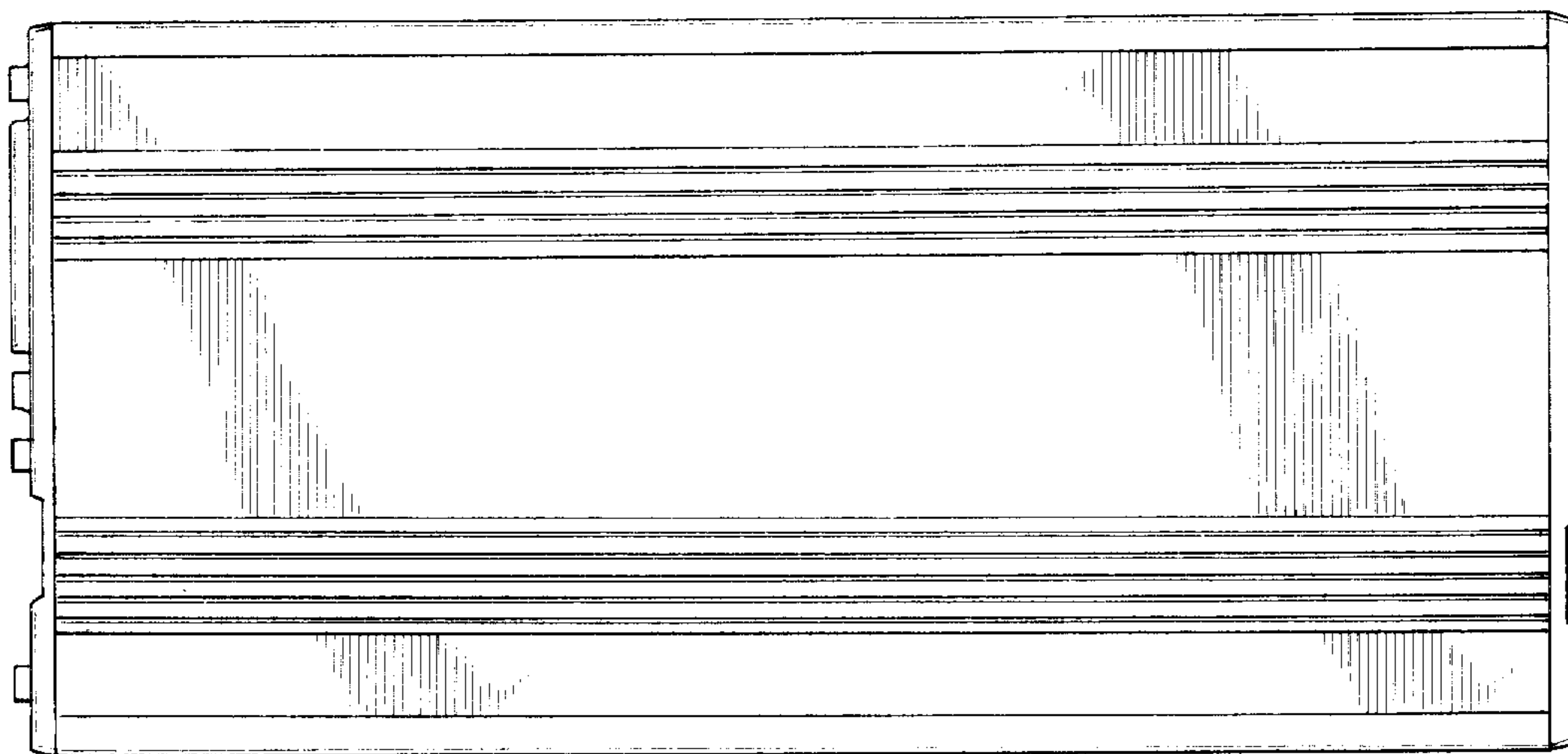


Fig. 4

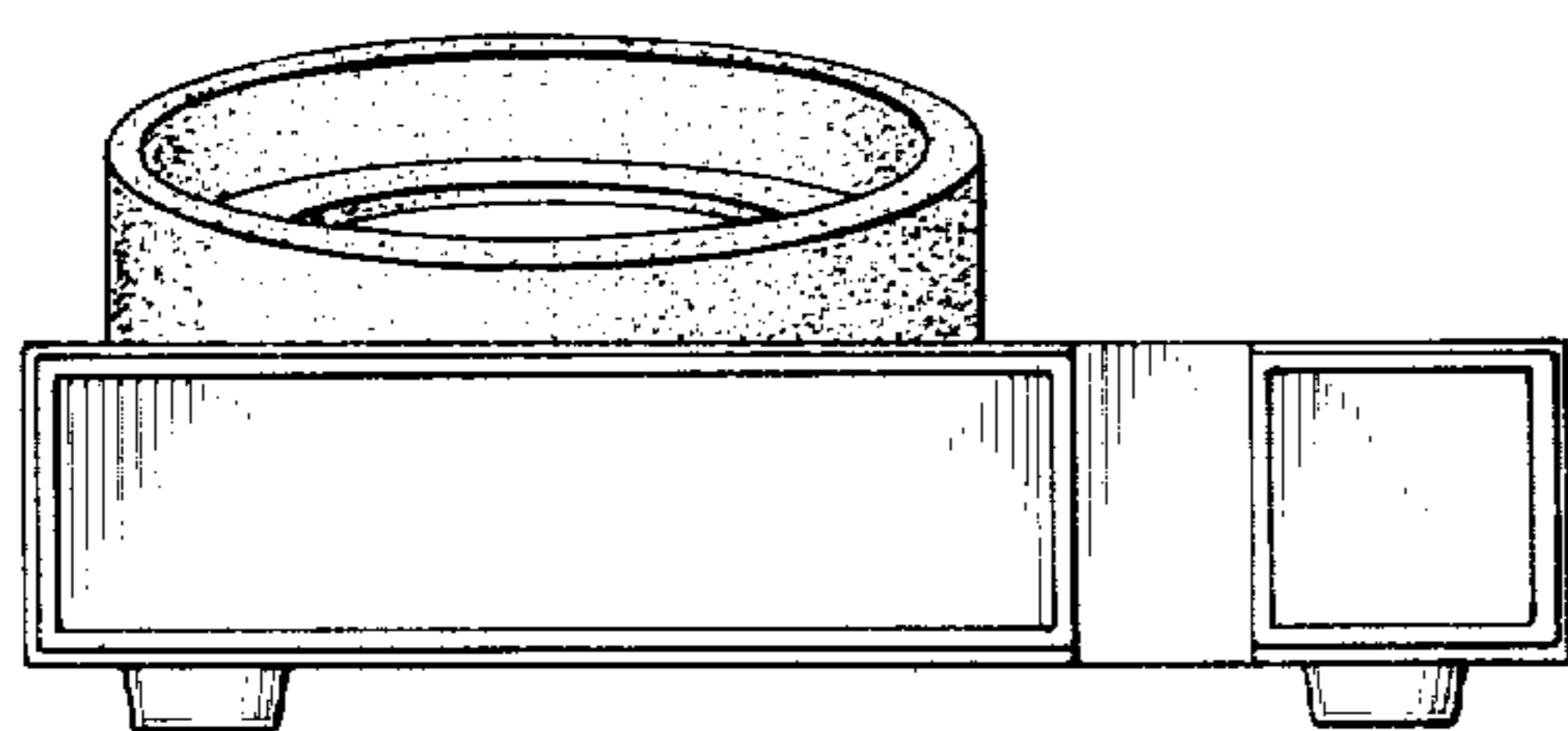


Fig. 5

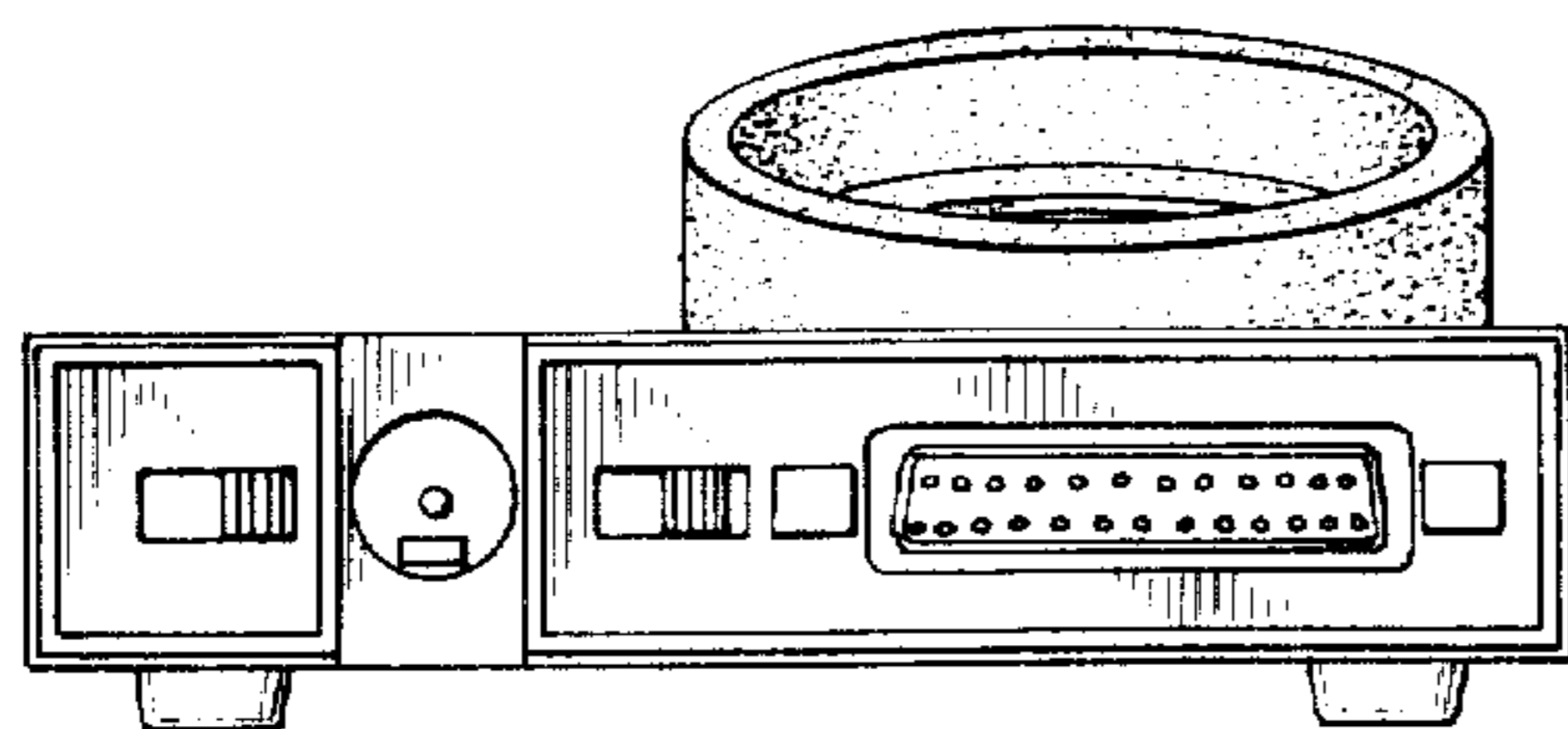


Fig. 6