

[54] LOUD SPEAKER

D. 253,108 10/1979 Schroeder D14/30

[75] Inventors: William J. Nicholson; Lawrence F. Farris, both of Jackson County, Mo.

[73] Assignee: Plastic Design and Fabrication, Inc., Kansas City, Mo.

[**] Term: 14 Years

[21] Appl. No.: 148,706

[22] Filed: May 12, 1980

[51] Int. Cl. D14-01

[52] U.S. Cl. D14/34; D14/30

[58] Field of Search D14/1, 30, 32-34, D14/37-39; 179/1 C, 146 R

[56] References Cited

U.S. PATENT DOCUMENTS

- D. 230,865 3/1974 Petroff D14/33
- D. 248,471 7/1978 Asai D14/34

OTHER PUBLICATIONS

RFL Industries, Inc., Boonton, N. J., "Hardware Coupler with Acoustical Adapter" leaflet. Radio Shack Sale Cat. #303, 9-27-78, p. 10, Item "C".

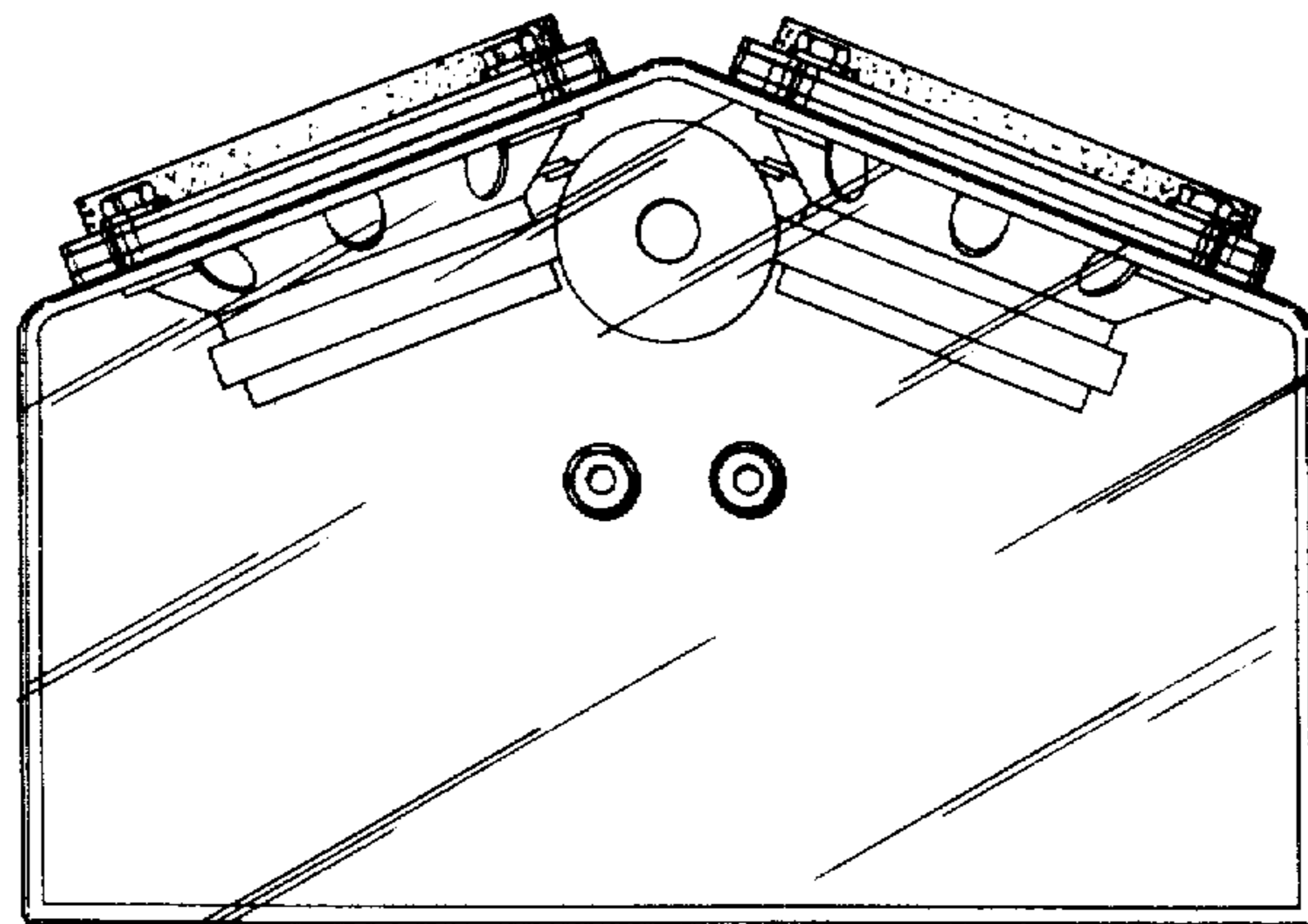
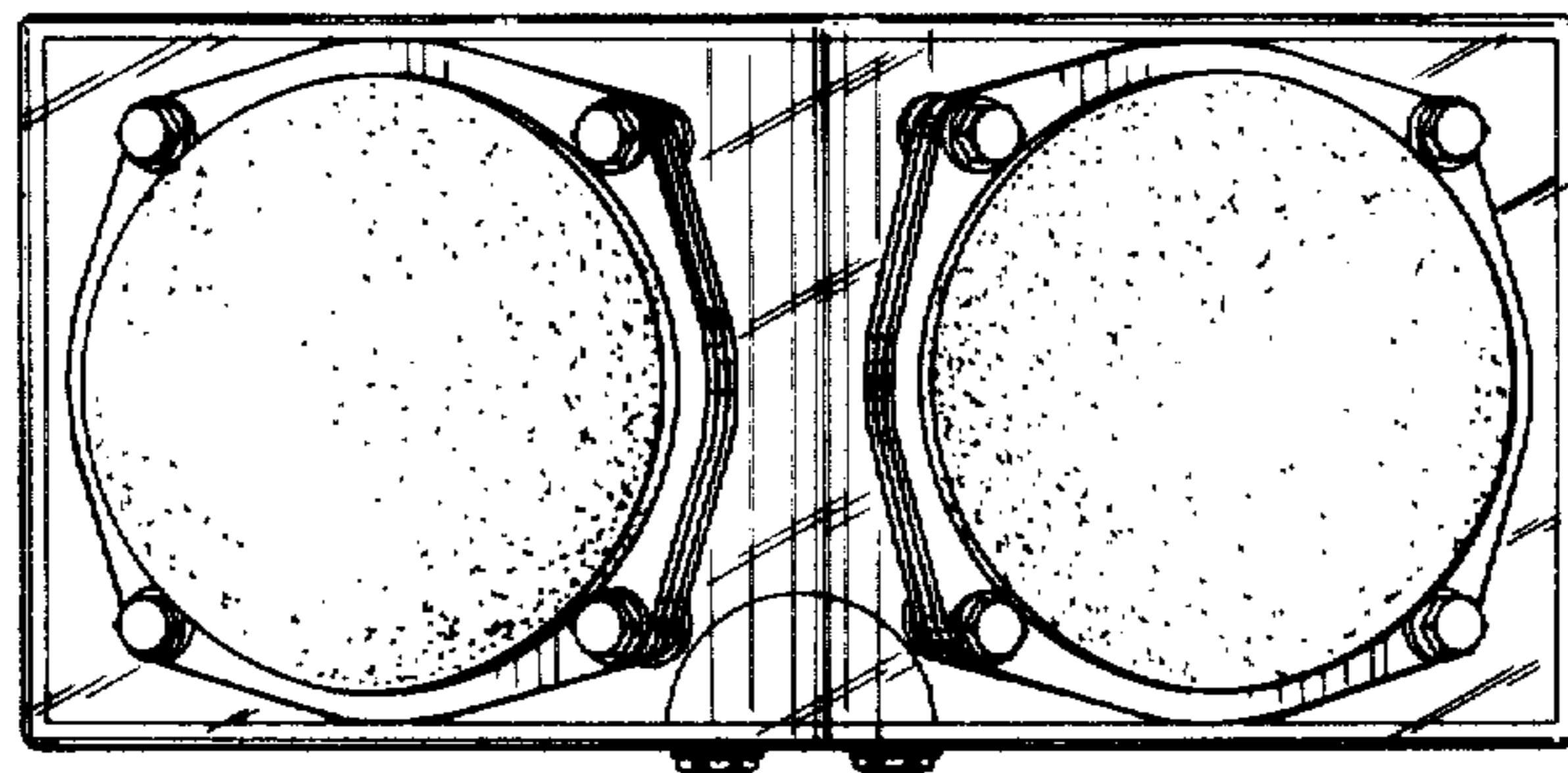
Primary Examiner—Jane E. Corrigan
Attorney, Agent, or Firm—Lowe, Kokjer, Kircher, Wharton & Bowman

[57] CLAIM

The ornamental design for a loud speaker, as shown and described.

DESCRIPTION

FIG. 1 is a front elevational view of a loud speaker showing our new design;
FIG. 2 is a top plan view thereof;
FIG. 3 is a rear elevational view thereof;
FIG. 4 is a left side elevational view; and
FIG. 5 is a bottom plan view thereof.



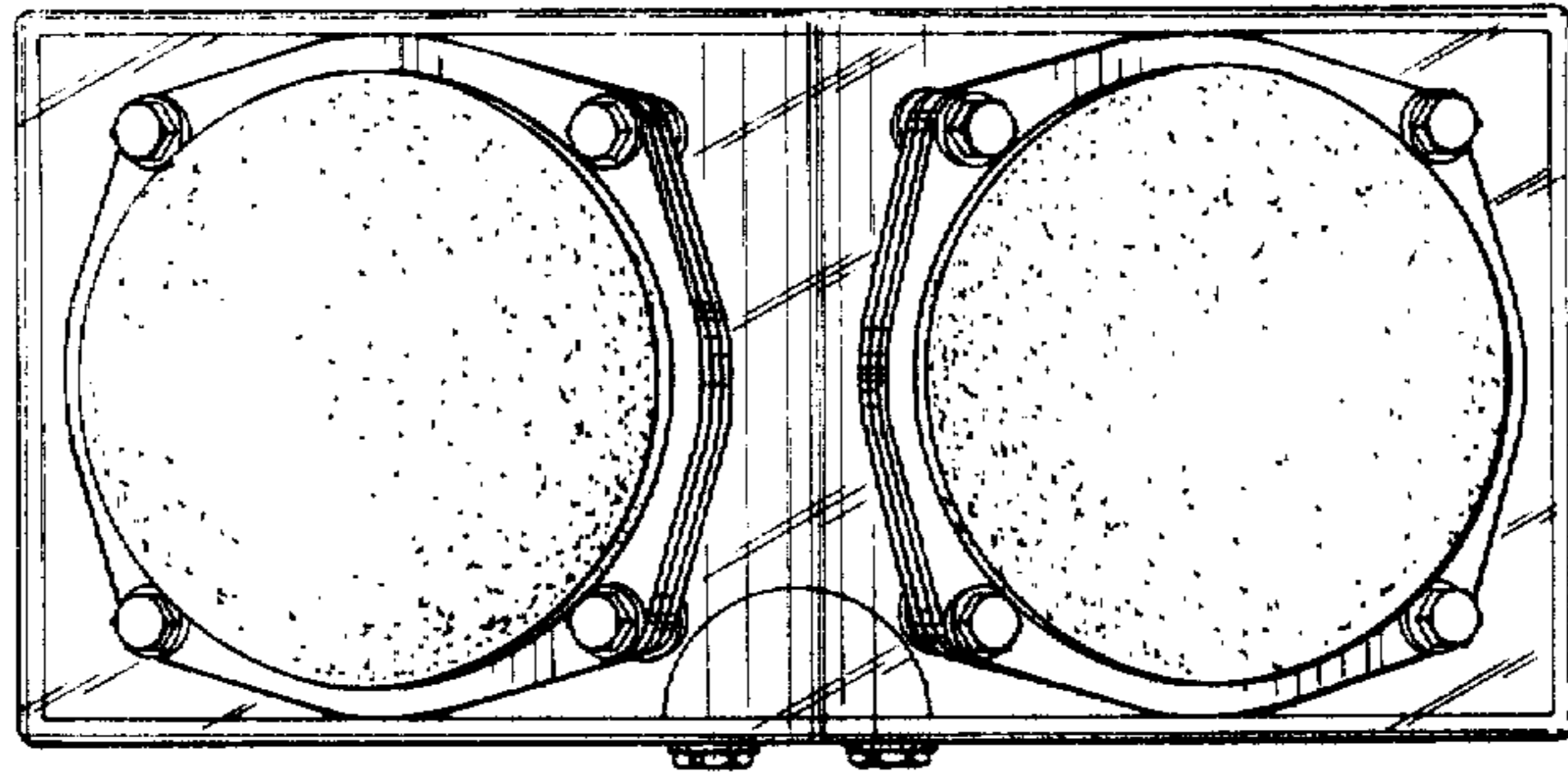


Fig. 1.

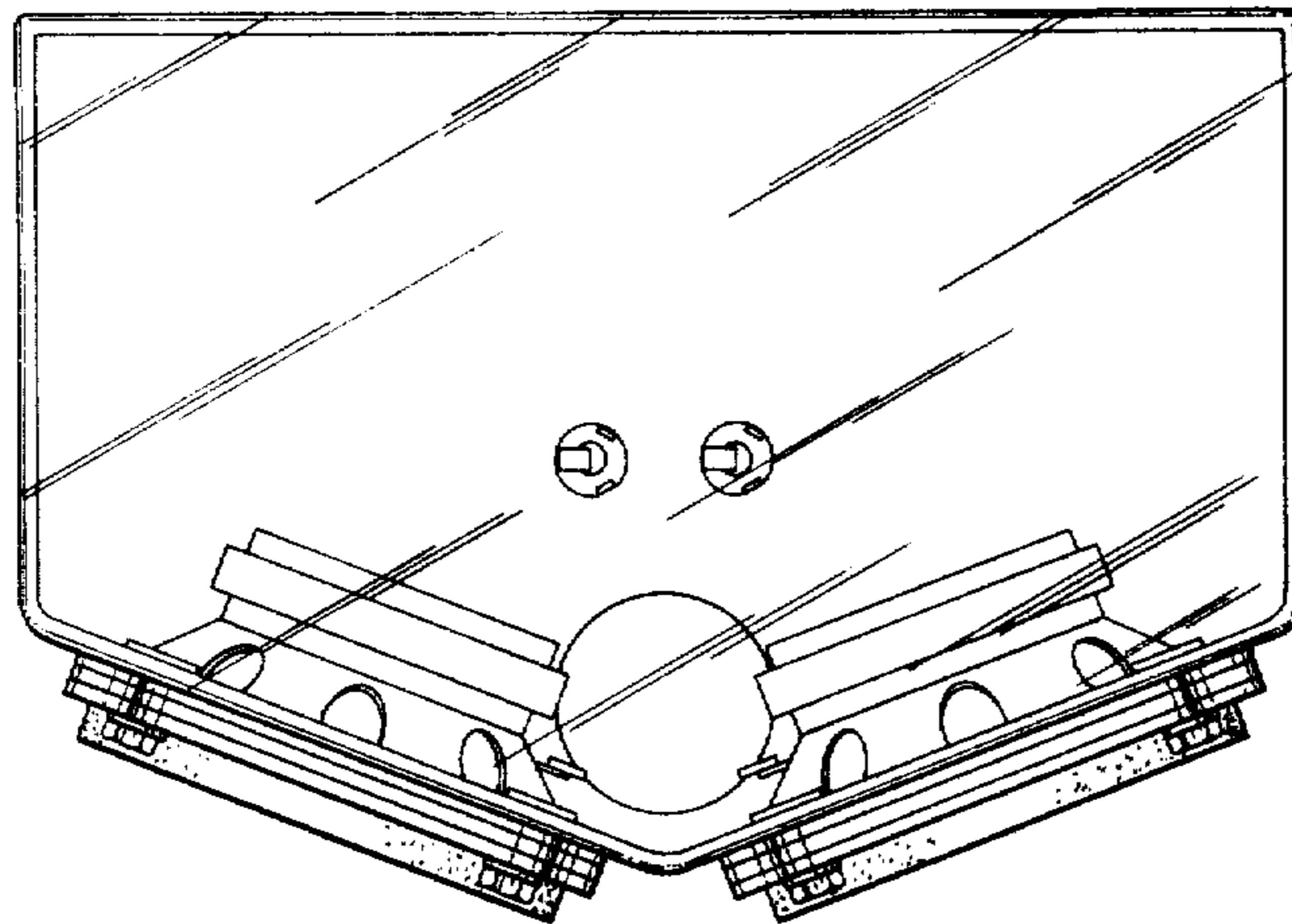


Fig. 2.

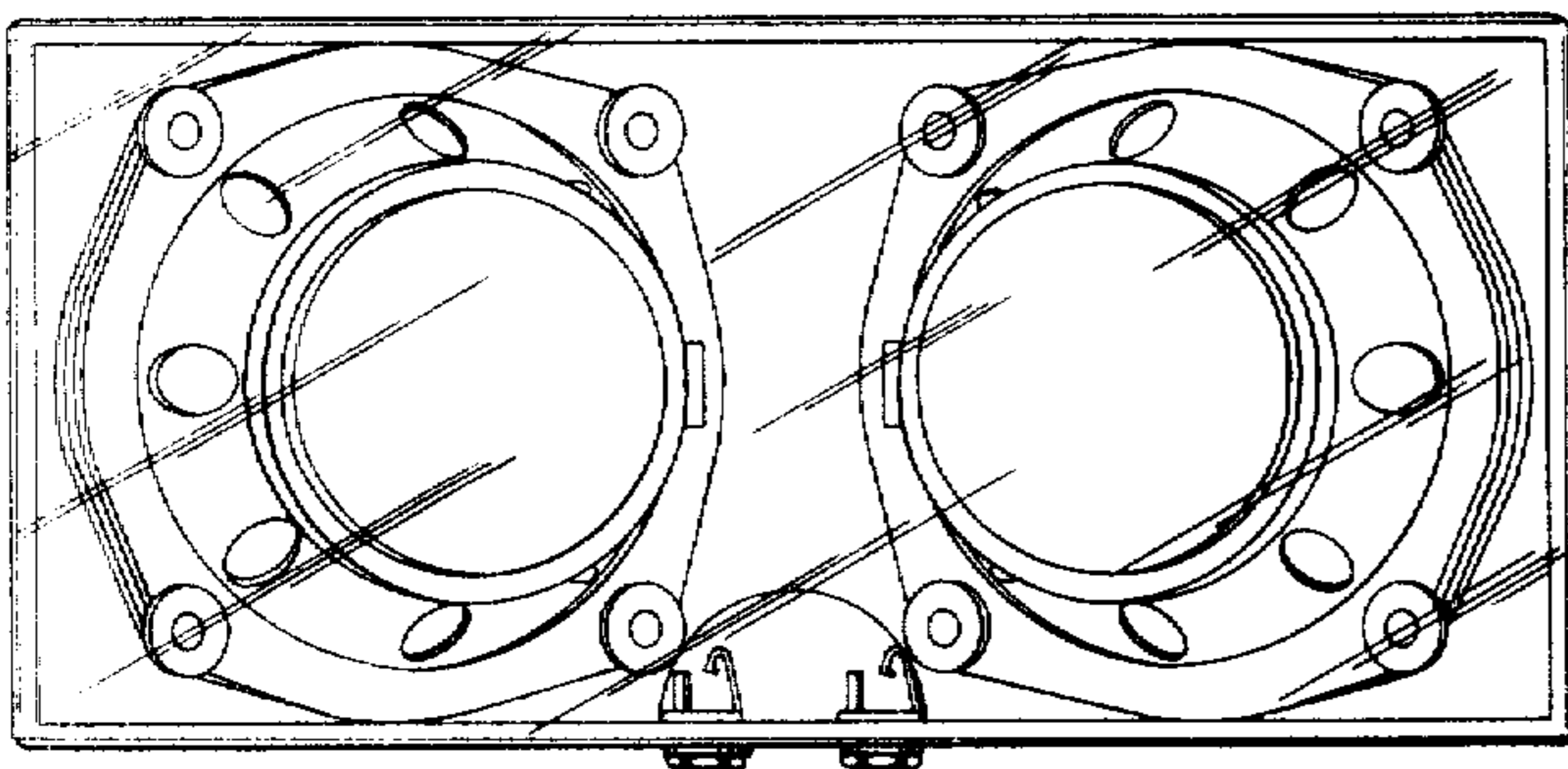


Fig. 3.

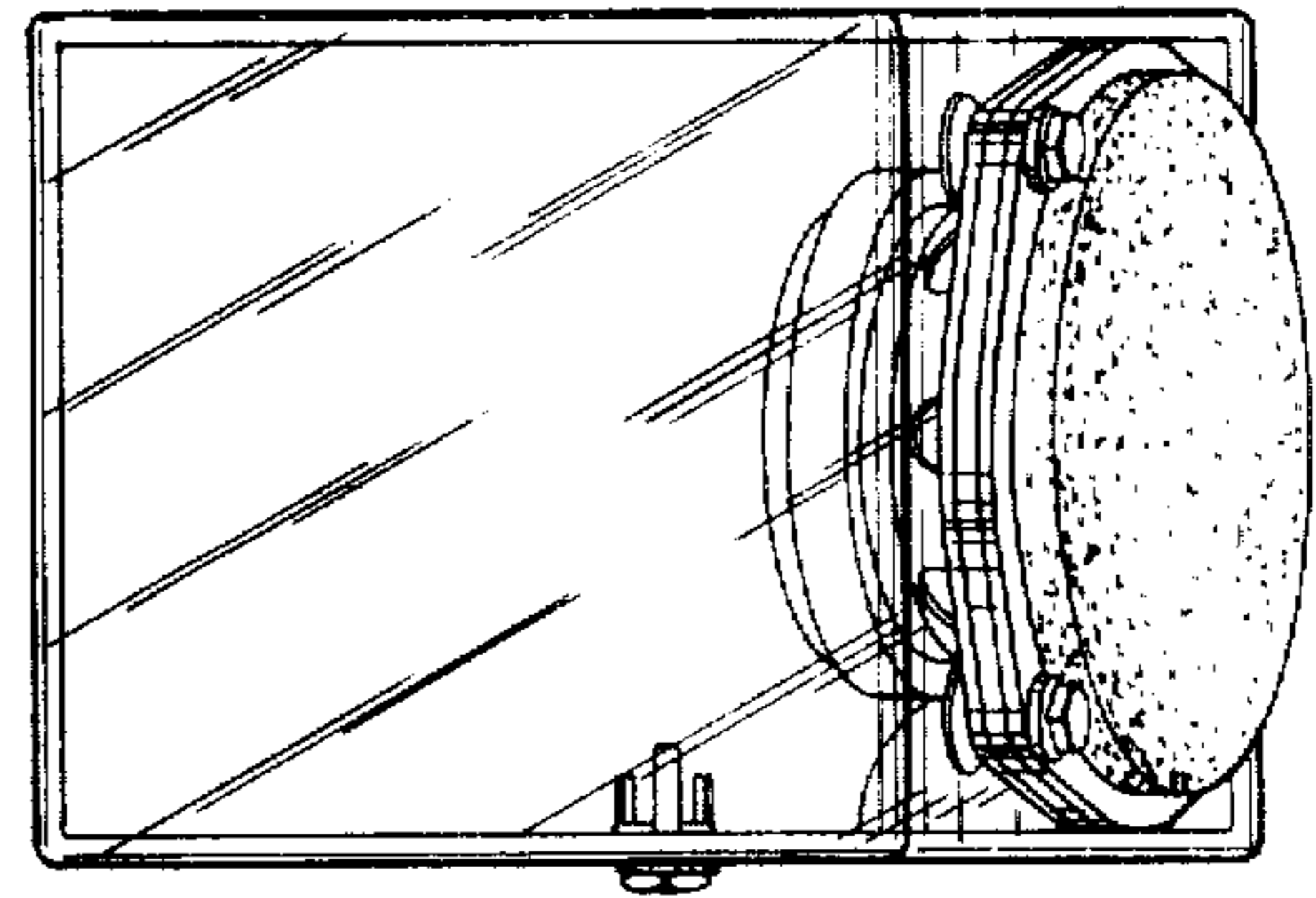


Fig. 4.

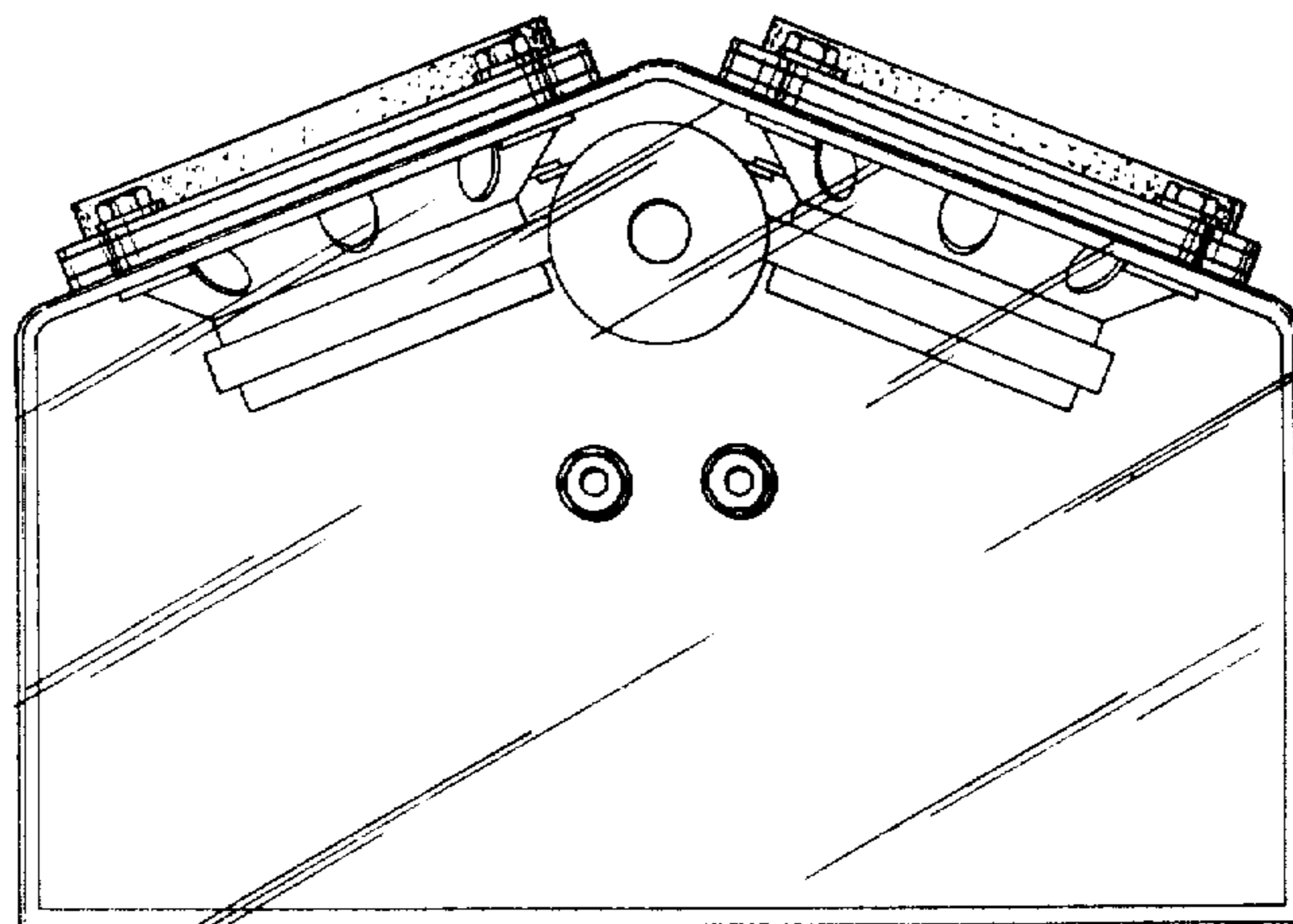


Fig. 5.