

[54] MICRO CASSETTE TAPE RECORDER AND PLAYER OR SIMILAR ARTICLE

[75] Inventor: Takuro Nakayama, Tokyo, Japan

[73] Assignee: General Electric Company, New York, N.Y.

[\*\*] Term: 14 Years

[21] Appl. No.: 113,200

[22] Filed: Jan. 18, 1980

[51] Int. Cl. .... D14-01

[52] U.S. Cl. .... D14/06

[58] Field of Search ..... D14/6; 360/74, 82, 83, 360/55, 93; 274/17, 21, 2; 242/199

[56] References Cited

U.S. PATENT DOCUMENTS

- D. 225,236 11/1972 Papst ..... D14/6
- D. 235,659 9/1973 Ebata et al. .... D14/6
- D. 236,009 7/1975 Hatiori ..... D14/6
- D. 236,504 8/1975 Hatiori ..... D14/6

- D. 246,583 12/1977 Okada ..... D14/6
- D. 247,747 4/1978 Nemoto et al. .... D14/6
- D. 248,296 6/1978 Kadota ..... D14/6
- D. 248,392 7/1978 Ebata et al. .... D14/6
- D. 250,473 12/1978 Kadota ..... D14/6
- D. 251,782 5/1979 Culbertson ..... D14/6
- D. 252,512 7/1979 Van Deuren ..... D14/6

OTHER PUBLICATIONS

Aldens 1978 Fall and Winter Catalog, p. 456, Micro Mini Cassette Recorder #40N5015W.

Primary Examiner—Catherine E. Kemper  
Attorney, Agent, or Firm—Leonard J. Platt; George R. Powers; John F. Cullen

[57] CLAIM

The ornamental design for a micro cassette tape recorder and player or similar article, as shown.

DESCRIPTION

FIG. 1 is a top front perspective view of a micro cassette tape recorder and player or similar article showing my new design; and FIG. 2 is a bottom rear perspective view thereof.

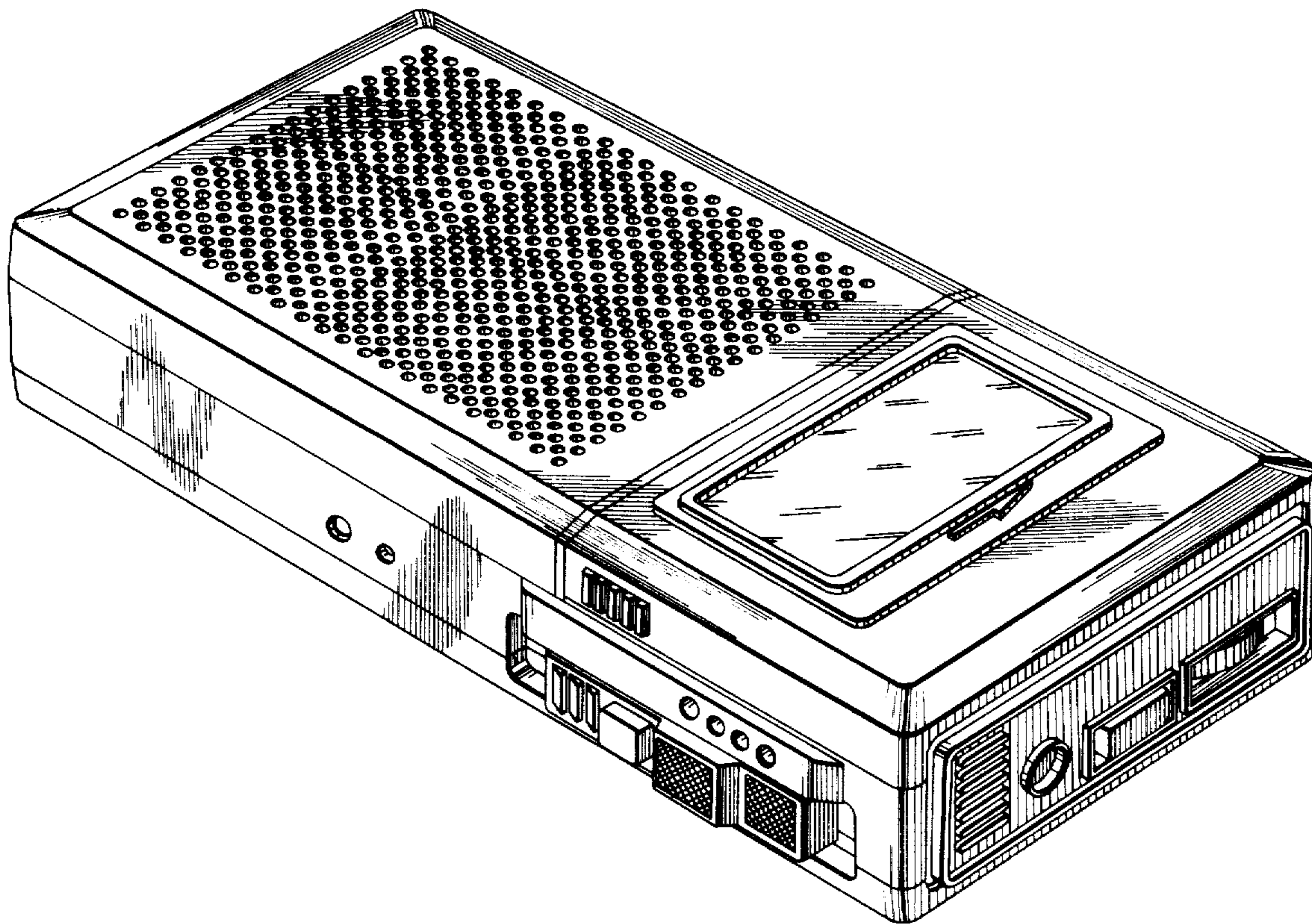
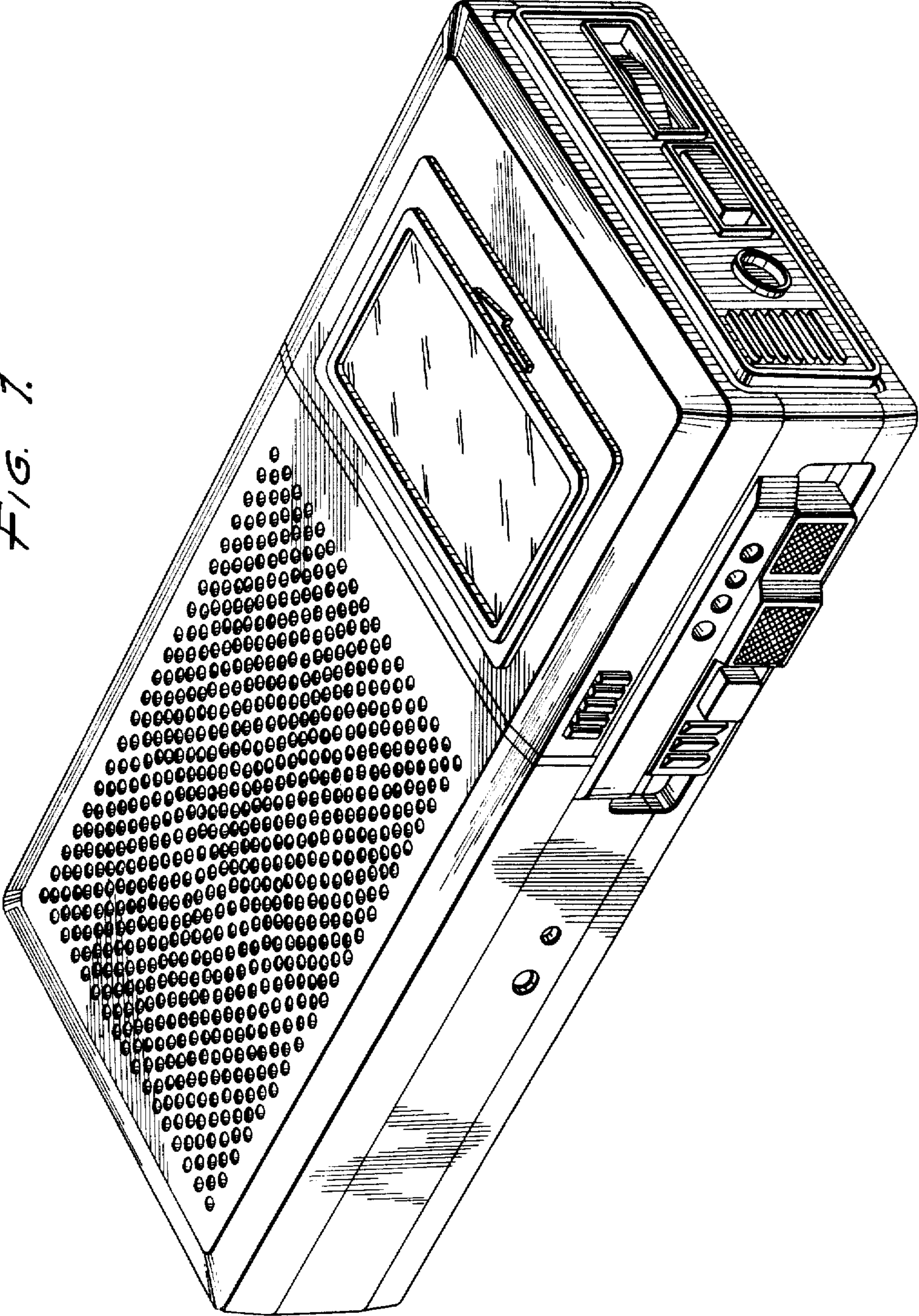


FIG. 7.



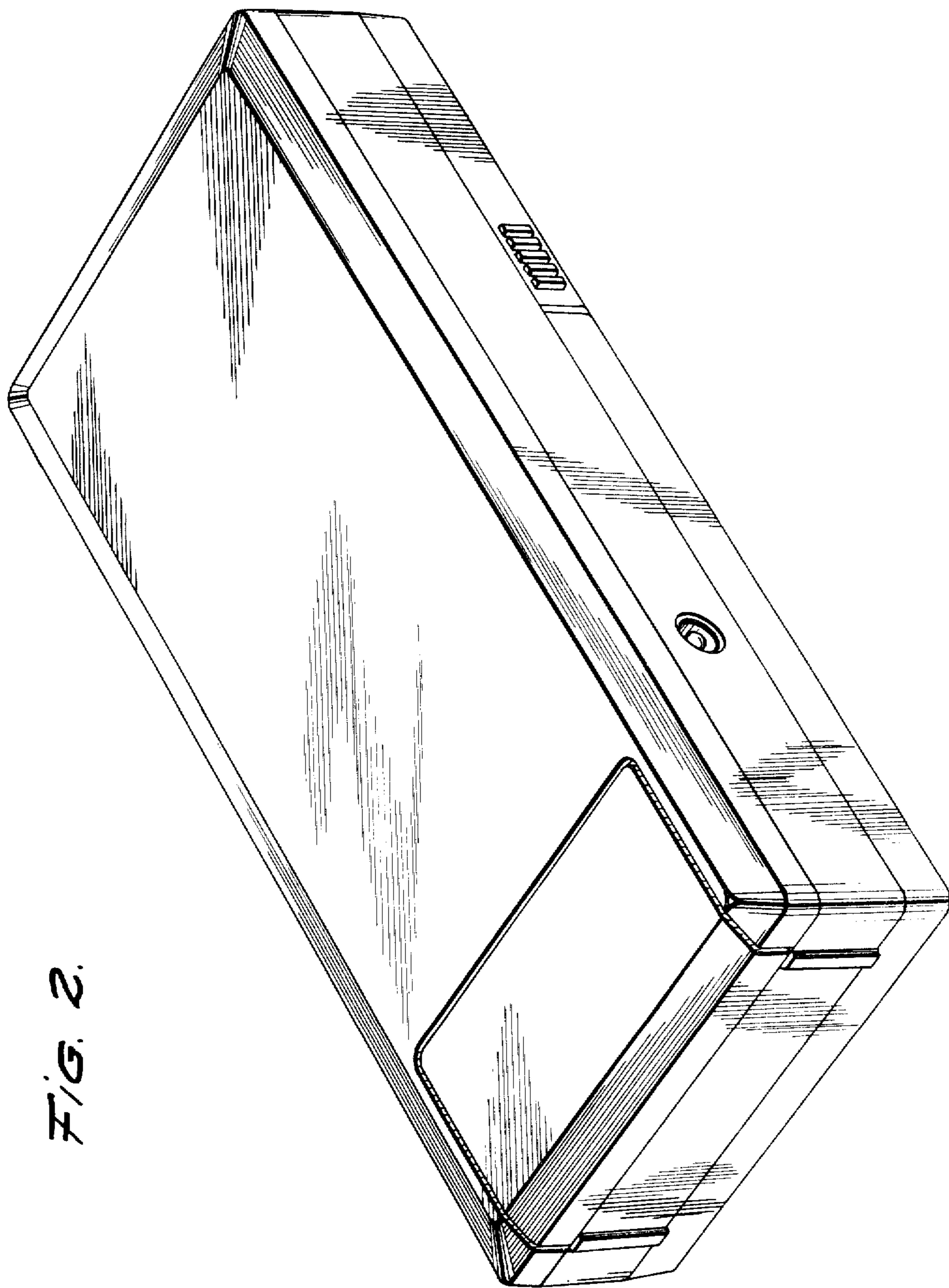


FIG. 2.