

[54] DIAL FOR USE WITH ELECTRONIC INSTRUMENTS

3,422,238 1/1969 Rys et al. 200/337 X
3,429,199 2/1969 Kenyon 200/293 X
3,612,789 10/1971 Marguis 200/153 R X

[76] Inventor: Eitaro Shimoda, 322, Ichinotsubo, Nakahara-ku, Kawasaki-shi, Kanagawa-ken, Japan

FOREIGN PATENT DOCUMENTS

373862 1/1932 United Kingdom 200/35 H

[**] Term: 14 Years

OTHER PUBLICATIONS

[21] Appl. No.: 827,384

Sato Catalog, 1965, No. 1, p. 26-Knob #5000.
Better Homes & Garden, 8/68, p. 22, Timer.

[22] Filed: Aug. 24, 1977

Primary Examiner—Susan J. Lucas
Attorney, Agent, or Firm—Hill, Van Santen, Steadman, Chiara & Simpson

[30] Foreign Application Priority Data

Mar. 22, 1977 [JP] Japan 52-10344

[51] Int. Cl. D13-03

[52] U.S. Cl. D13/32

[58] Field of Search D13/12, 32, 35, 37, D13/38; D14/40; D10/40; 200/5 R, 5 A, 6 R, 11 R, 38 D, 56 R, 157, 159, 153 K, 293, 294, 296, 298, 302, 303, 308, 310, 315, 35 R, 35 H, 16 D; 37/38 R; 335/38 A, 38 F, 38 DH

[57] CLAIM

The ornamental design for a dial for use with electronic instruments, as shown and described.

DESCRIPTION

FIG. 1 is a front elevational view of the dial for use with electronic instruments showing my design; FIG. 2 is a rear elevational view thereof; FIG. 3 is a right side elevational view thereof; FIG. 4 is a top plan view thereof; and FIG. 5 is a perspective view seen from left side thereof on a reduced scale.

[56] References Cited

U.S. PATENT DOCUMENTS

2,520,270 8/1950 Batcheller 200/6 R
3,305,648 2/1967 York, Jr. 200/35 R

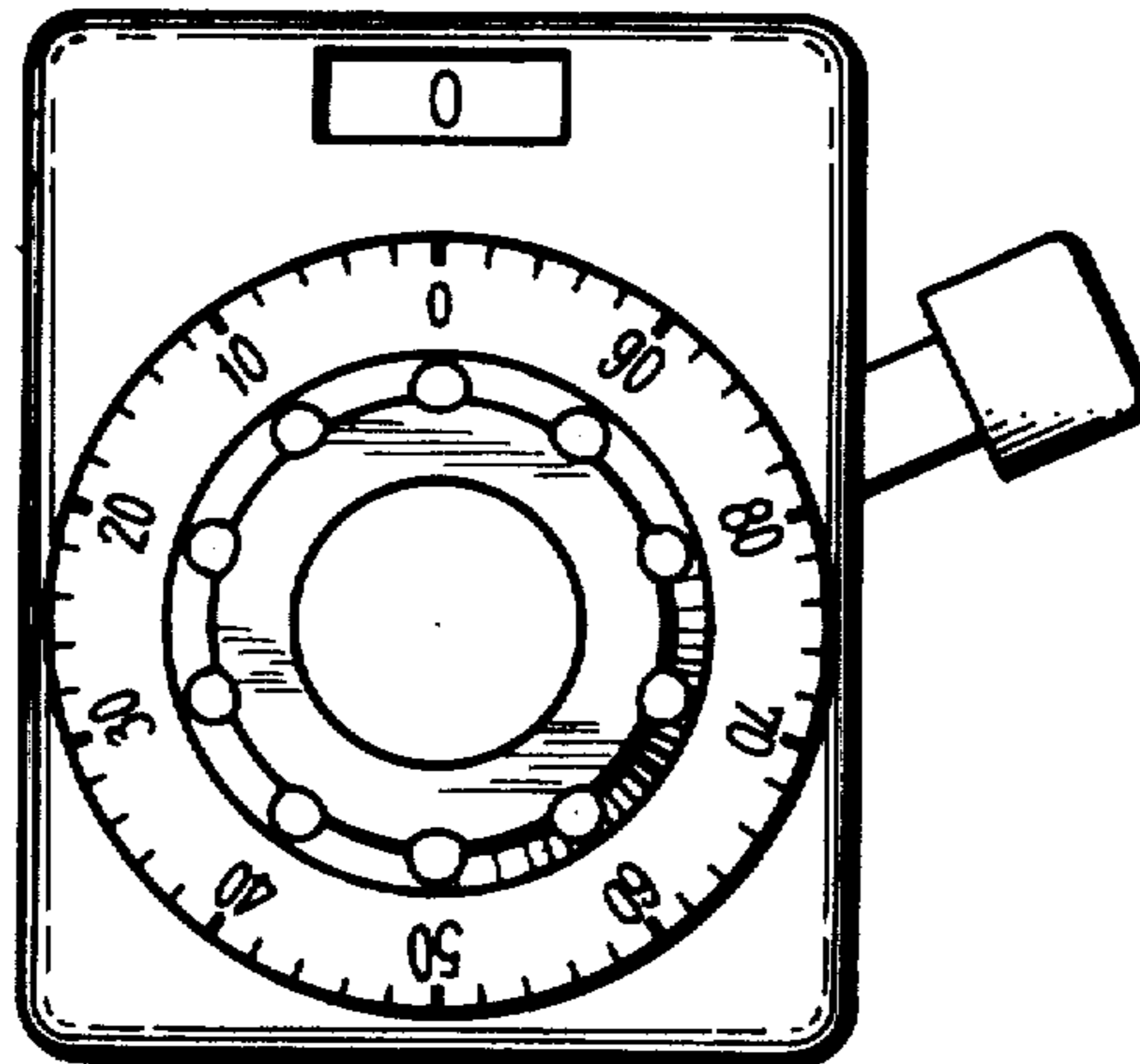


FIG. 5

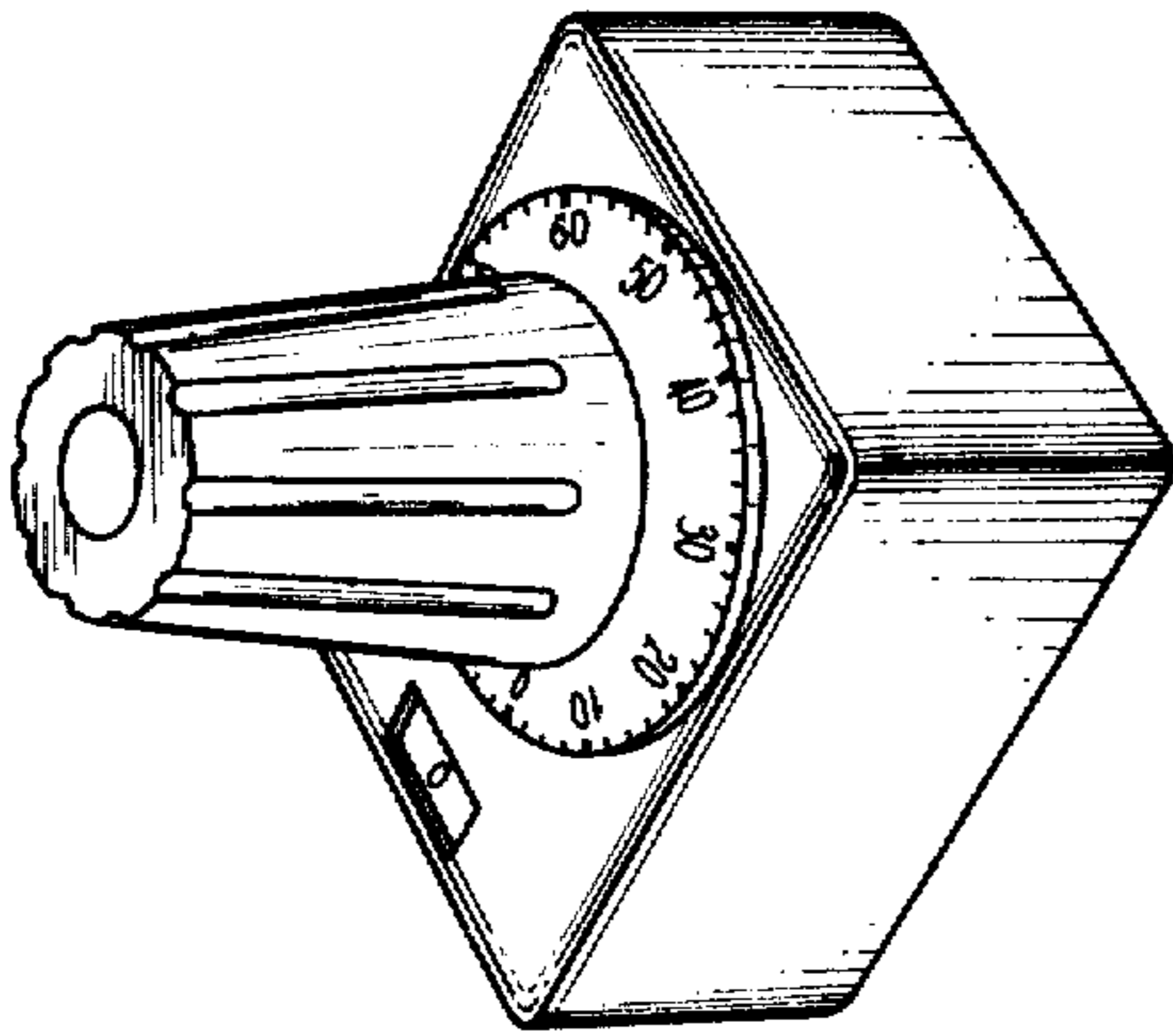


FIG. 2

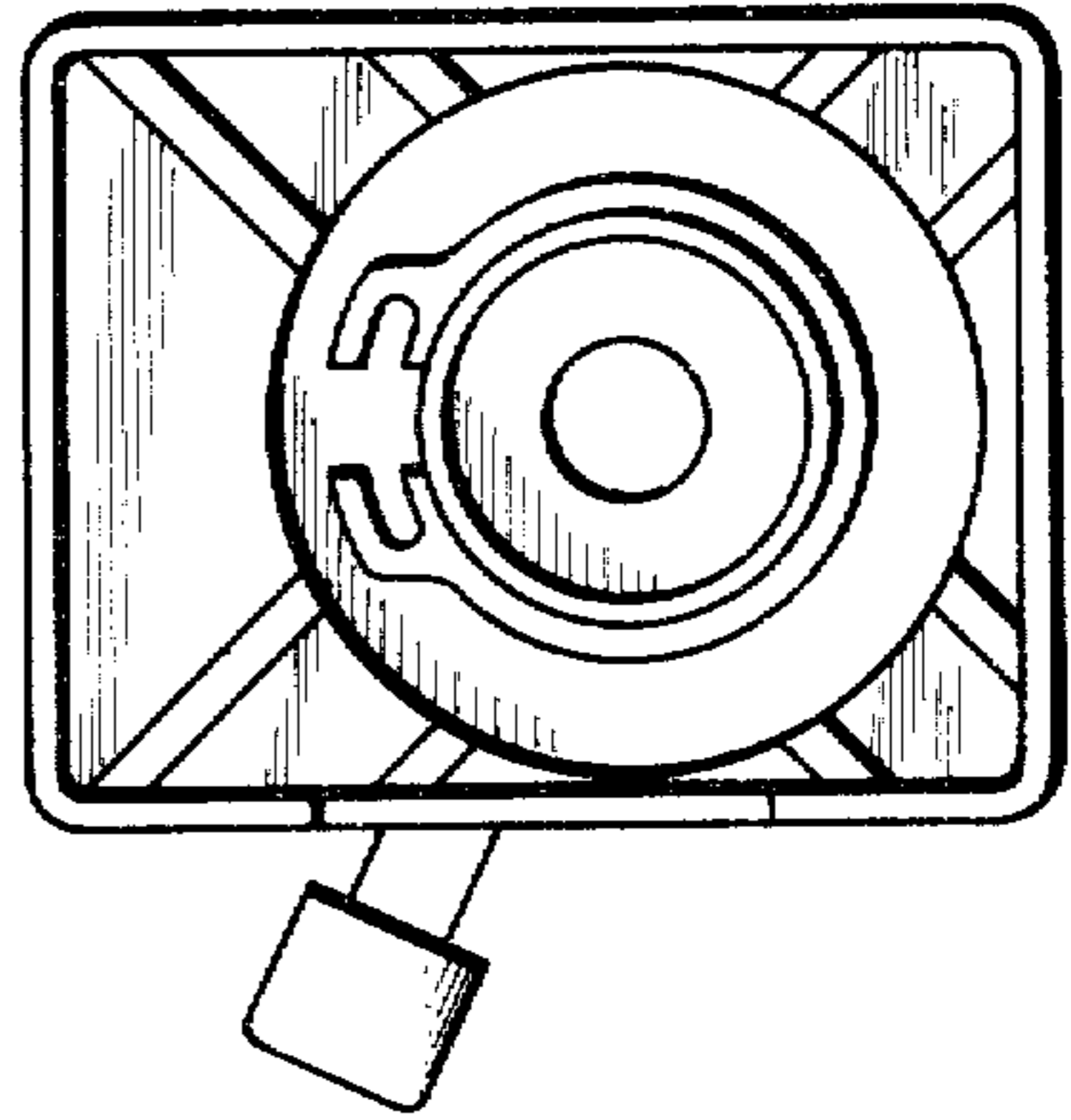


FIG. 4

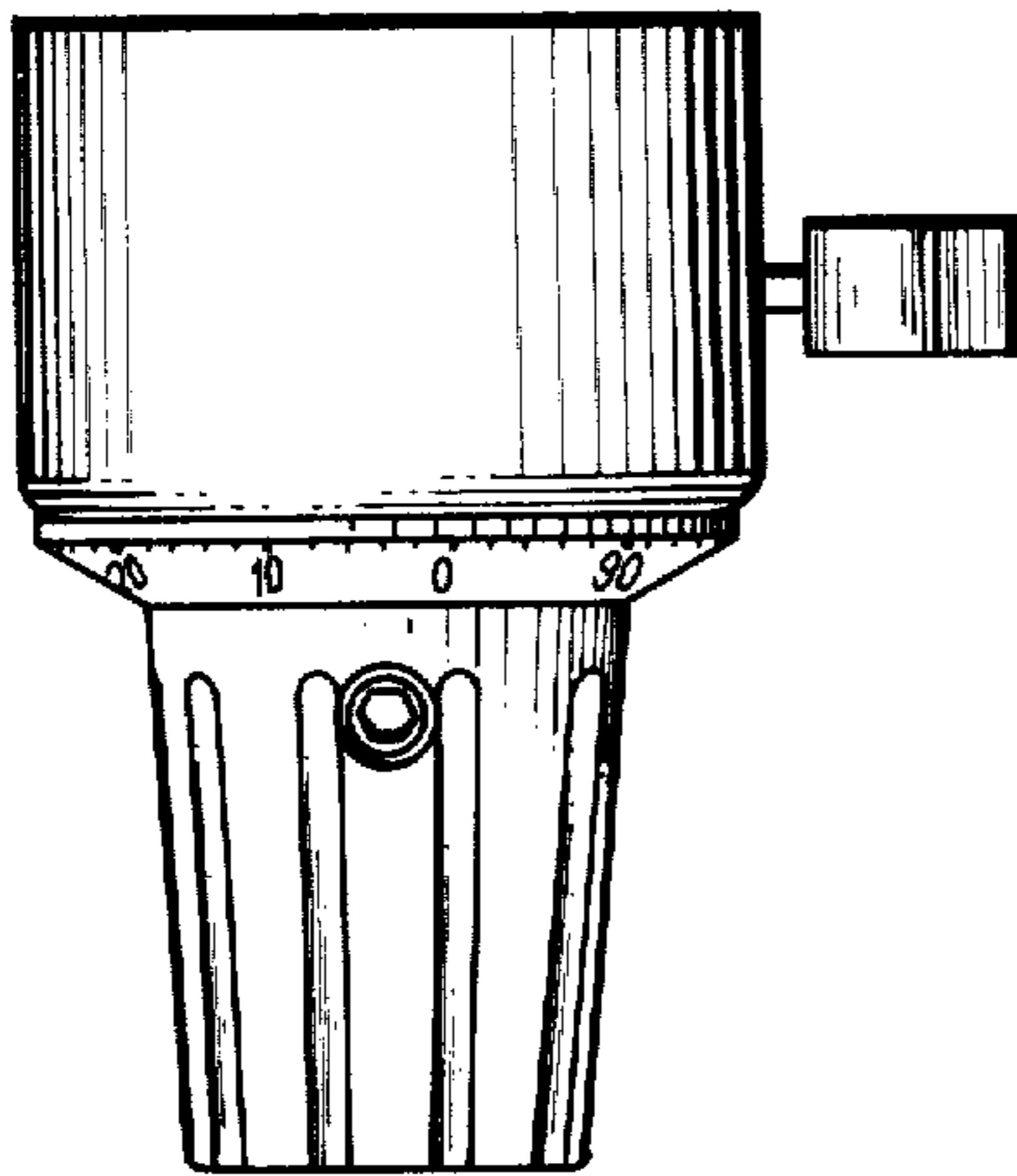


FIG. 3

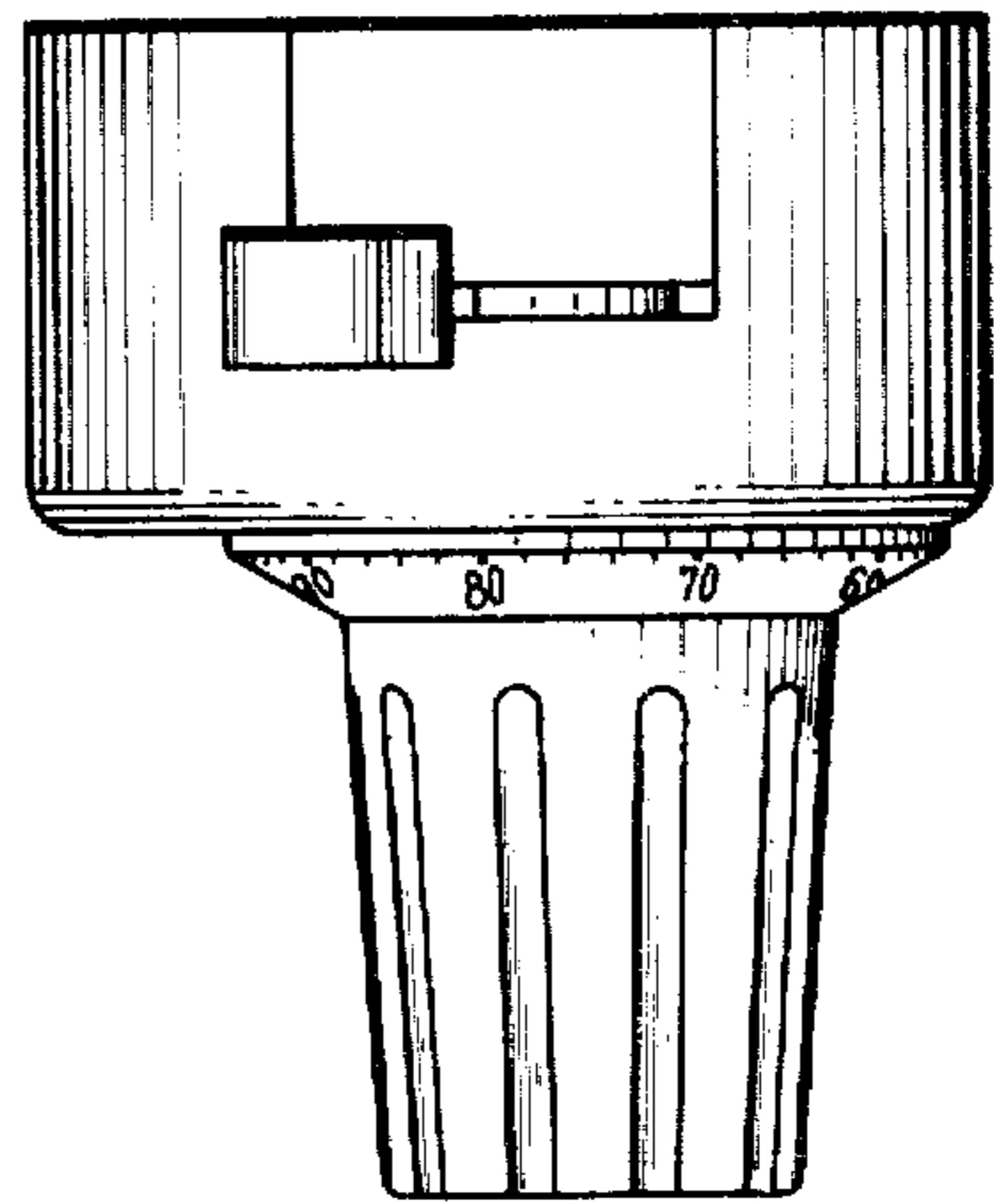


FIG. 1

