

[54] **HELICOPTER BODY**
[76] Inventor: **Edward G. Folks**, 230 Adelphia, San Antonio, Tex. 78214
[**] Term: **14 Years**
[21] Appl. No.: **9,242**
[22] Filed: **Feb. 2, 1979**
[51] Int. Cl. **D12-07**
[52] U.S. Cl. **D12/327**
[58] Field of Search **D12/73, 74, 326-329; 244/17.11; 46/75**

D. 192,666 4/1962 Anderson et al. D12/73
D. 213,650 3/1969 Cardoso D12/73
2,638,707 5/1953 Baker 46/75
3,298,443 1/1967 Burkam et al. 244/17.11
3,482,803 12/1969 Lindenbaum 244/17.11

Primary Examiner—T. Tung
Attorney, Agent, or Firm—Gale R. Peterson

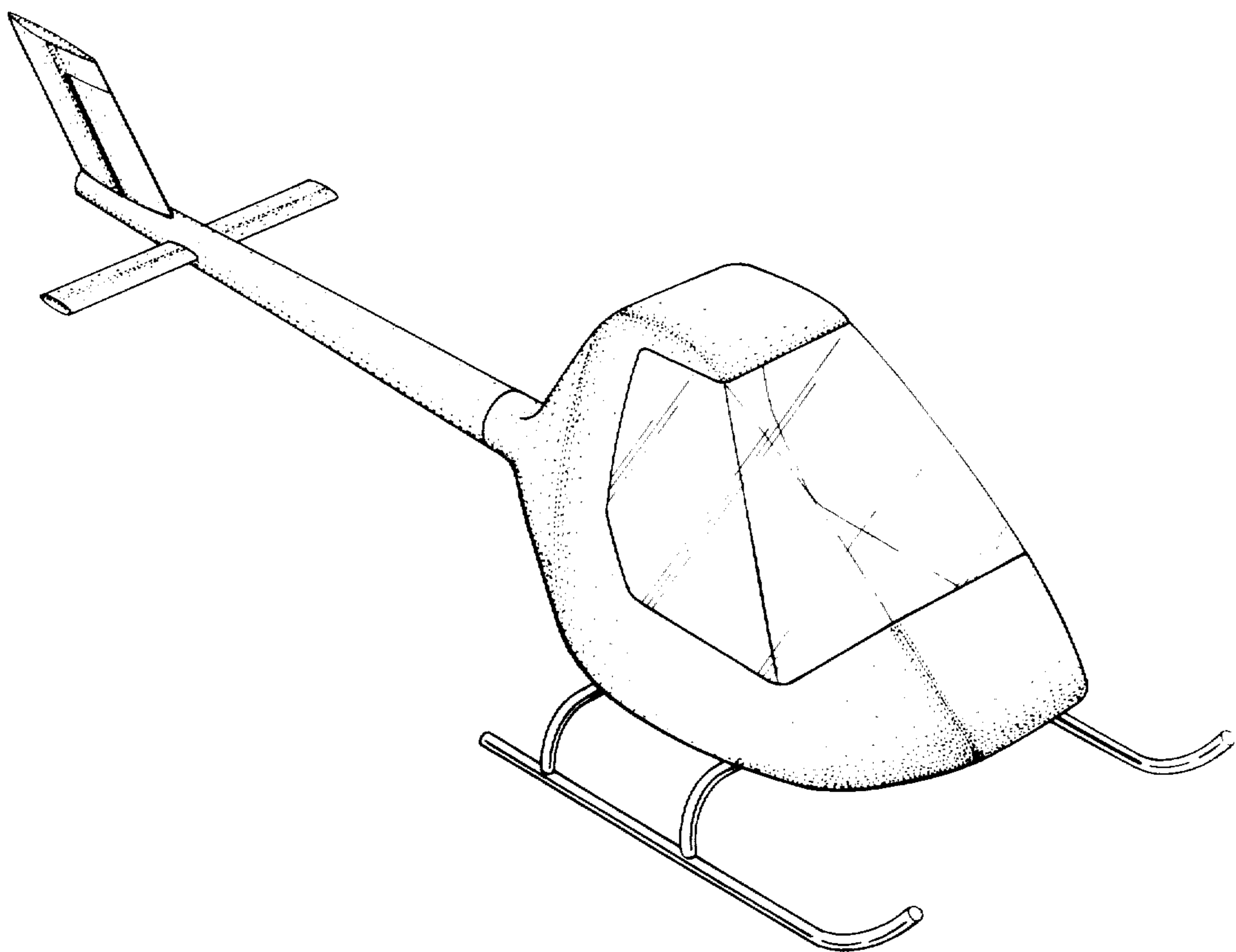
[57] **CLAIM**

The ornamental design for a helicopter body, as shown.

DESCRIPTION

FIG. 1 is a top view of the helicopter body;
FIG. 2 is a left side view thereof;
FIG. 3 is a bottom view thereof;
FIG. 4 is a front view thereof;
FIG. 5 is a back view thereof;
FIG. 6 is a perspective and right side view thereof.

[56] **References Cited**
U.S. PATENT DOCUMENTS
D. 146,984 6/1947 Piasecki D12/74
D. 179,629 2/1957 Dupstadt et al. D12/73



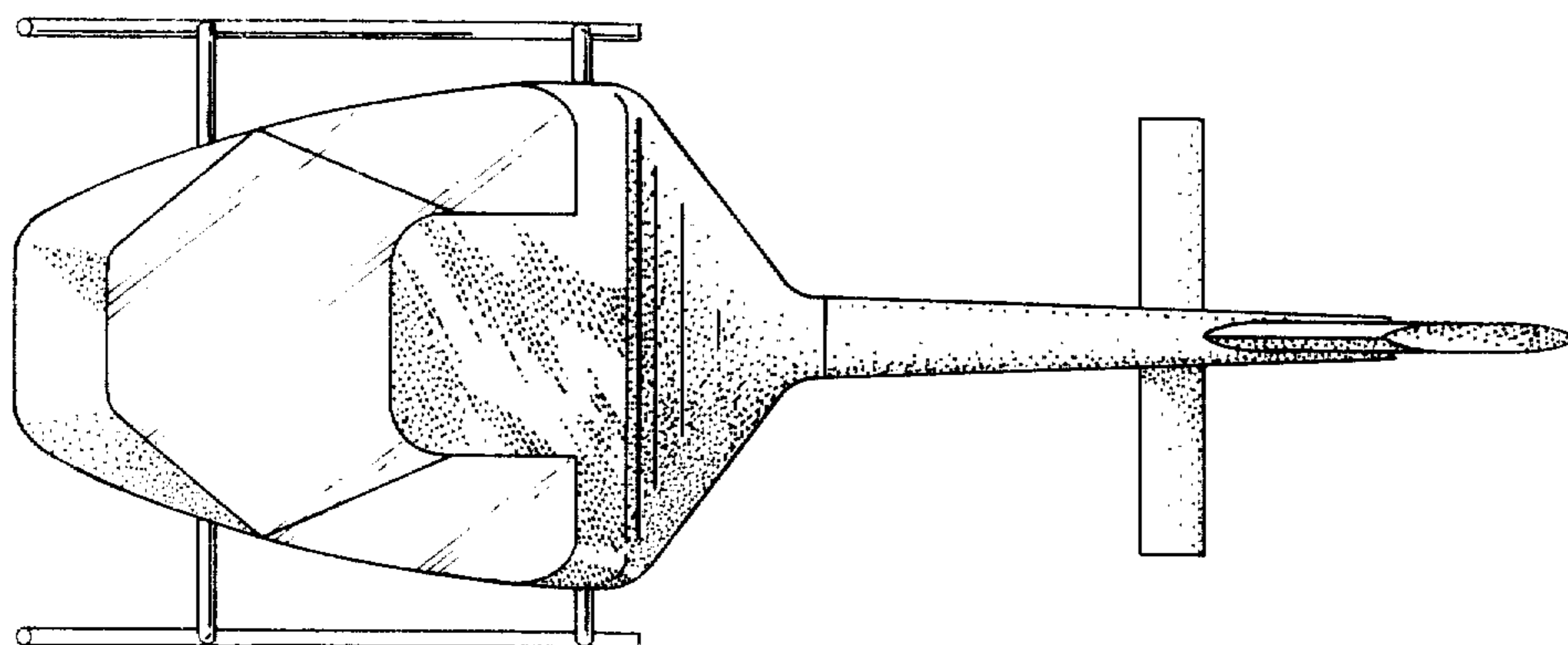


FIG. 1

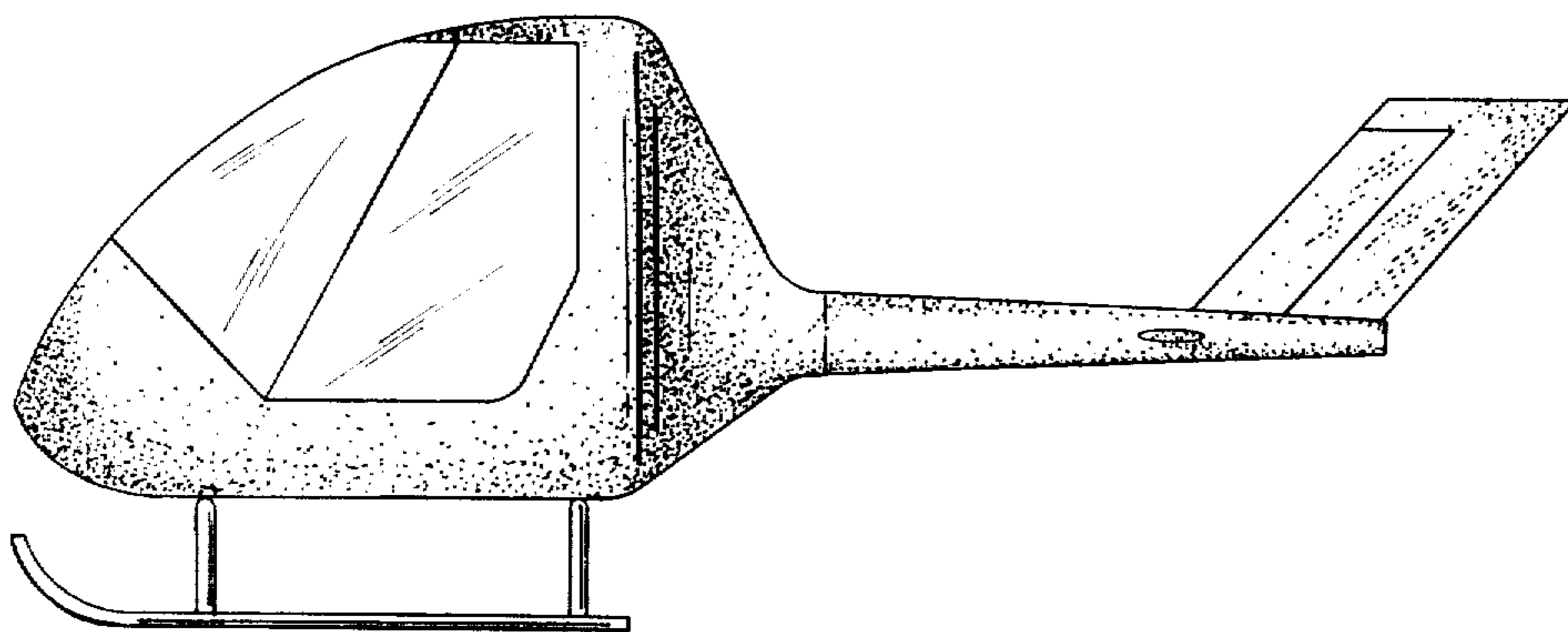


FIG. 2

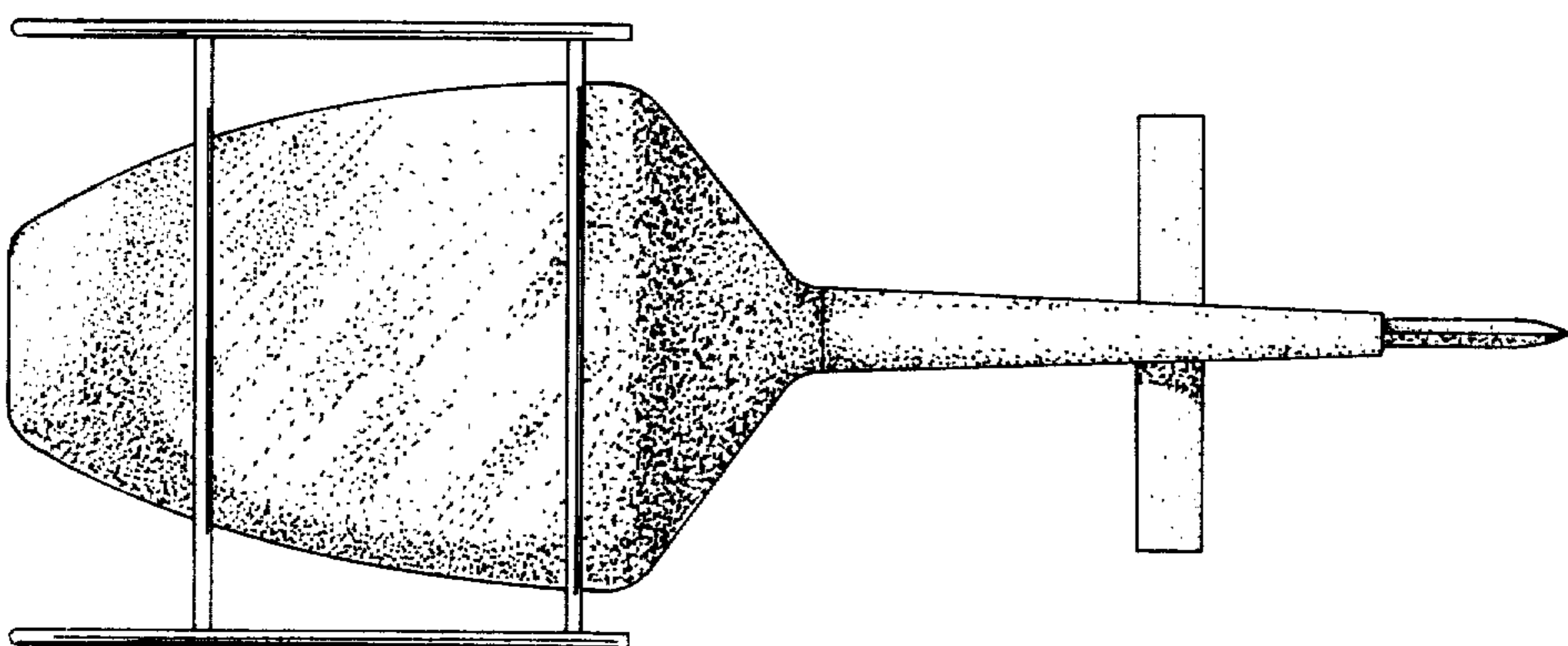


FIG. 3

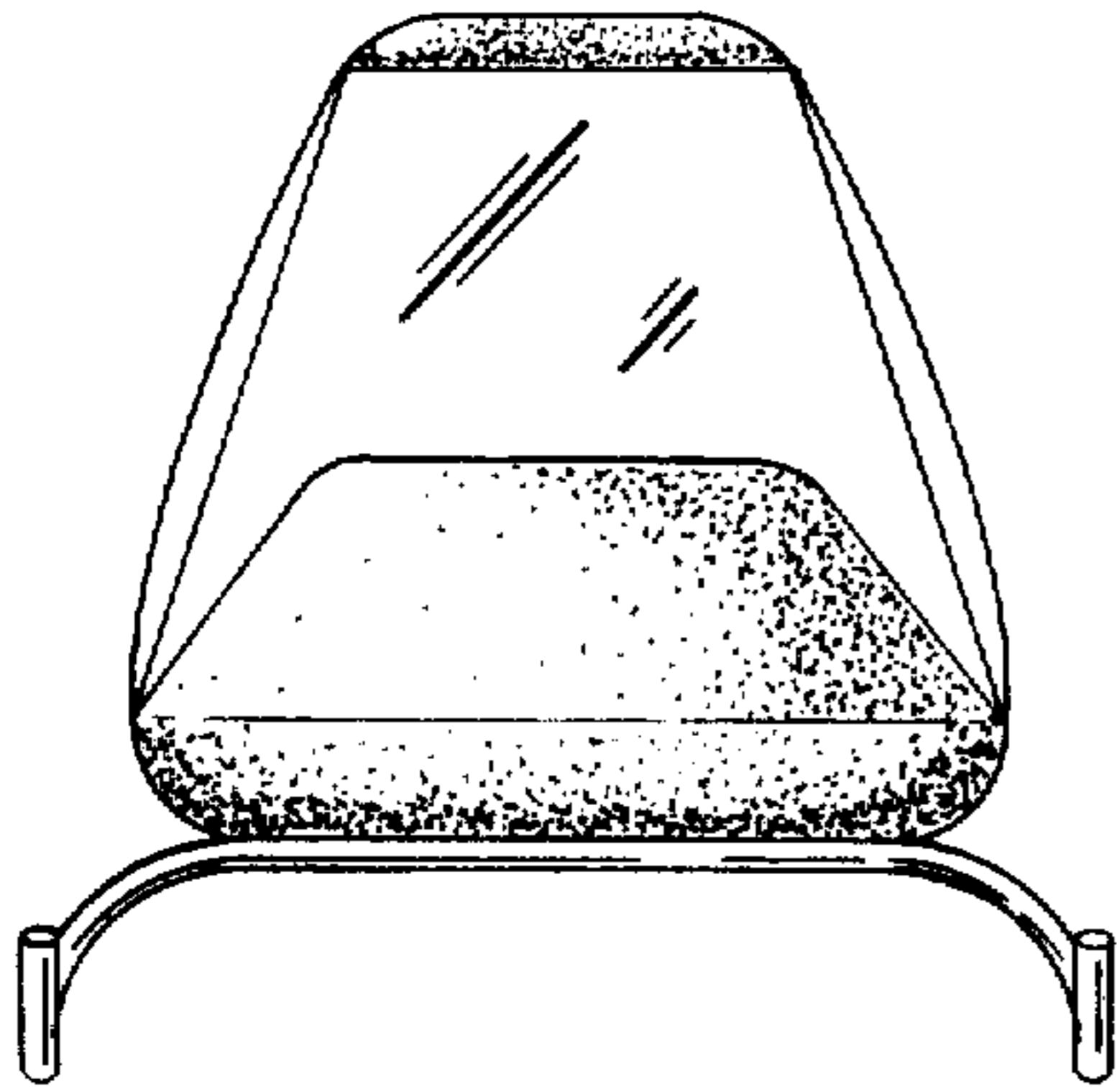


FIG. 4

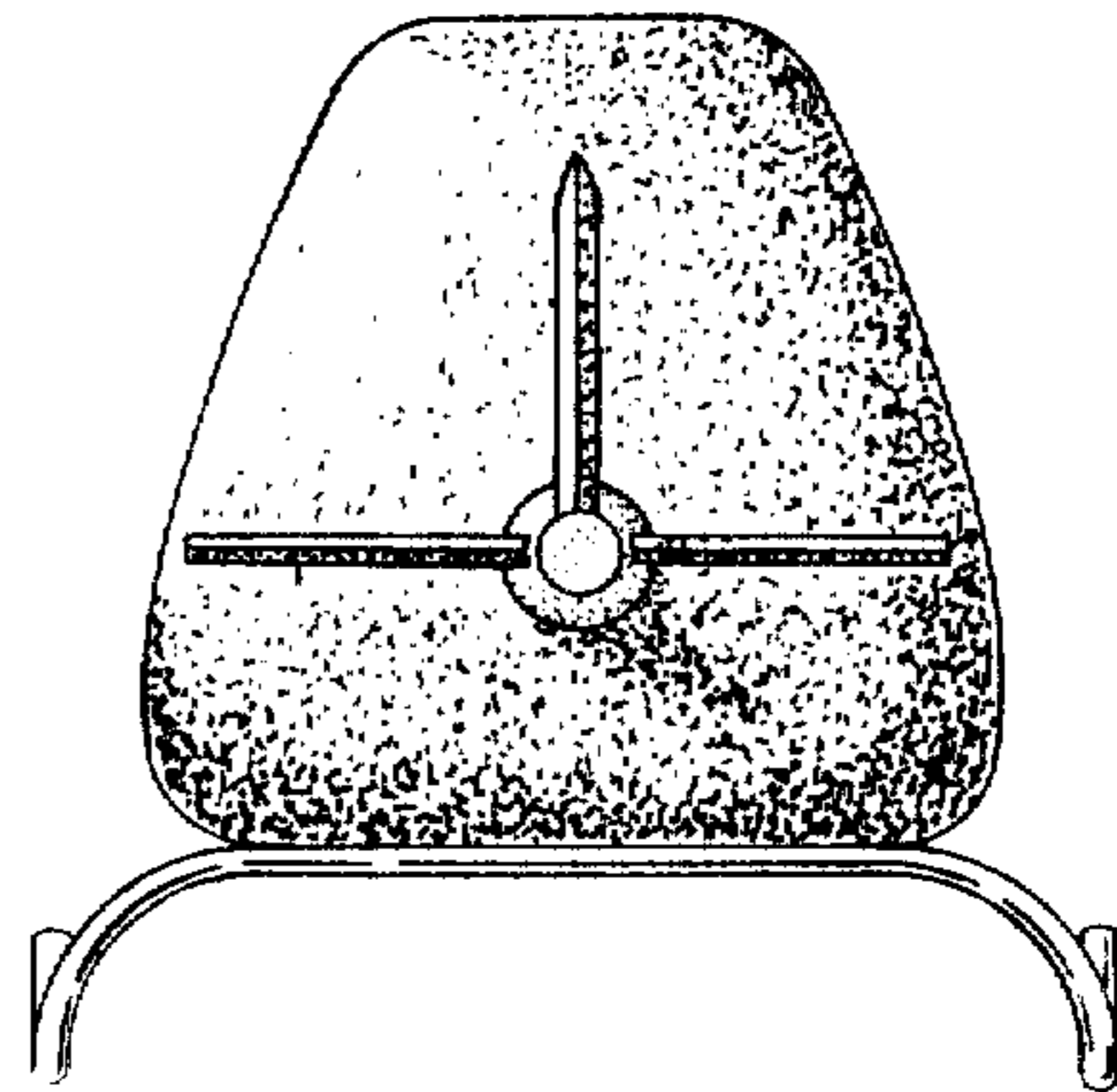


FIG. 5

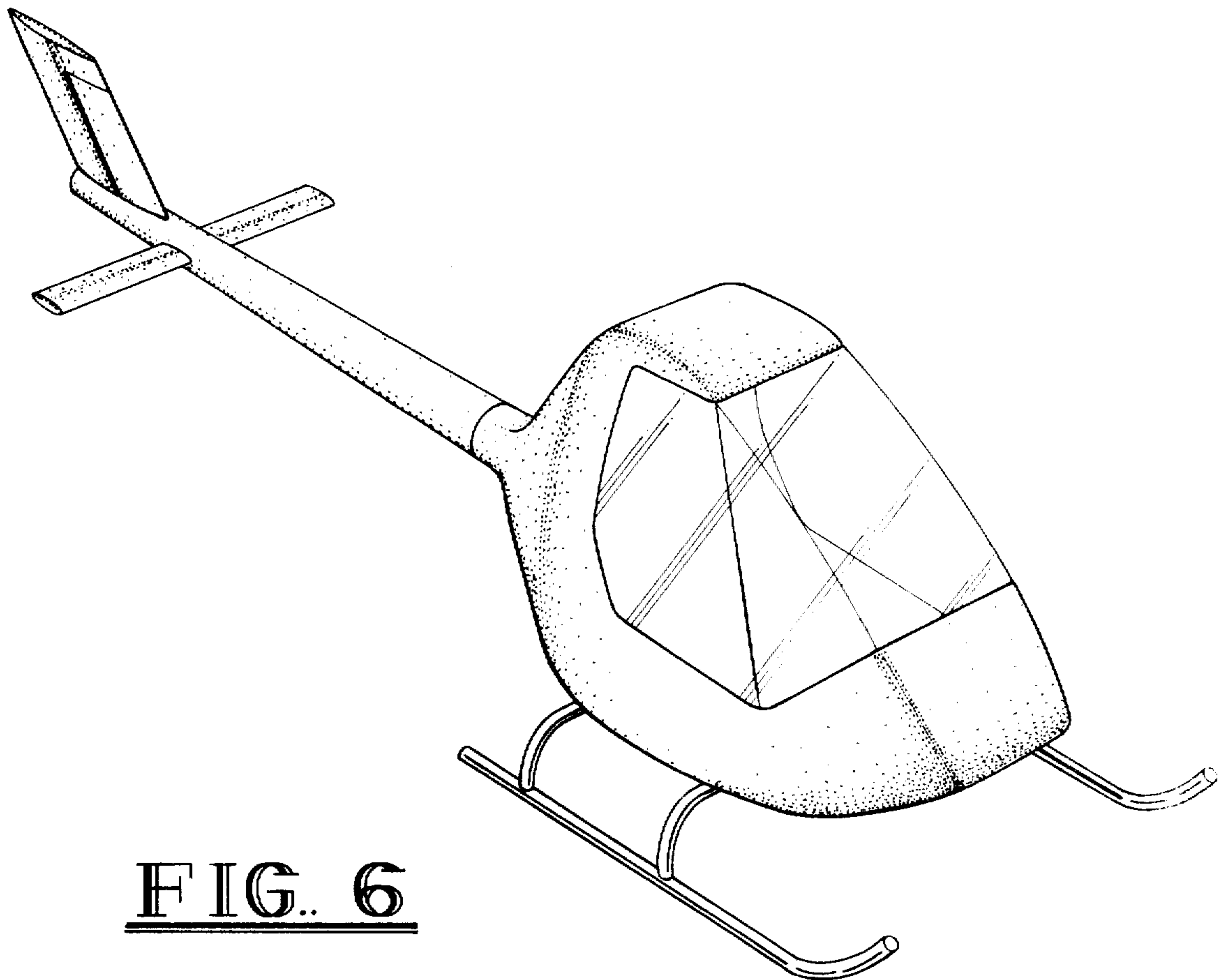


FIG. 6