

[54] **PALLET**

[76] Inventor: **Claes Nordström, Sigvard**
Grubbesgatan 12, S-230 40 Bara,
Sweden

[**] Term: **14 Years**

[21] Appl. No.: **112,182**

[22] Filed: **Jan. 15, 1980**

[30] **Foreign Application Priority Data**

Jul. 19, 1979 [SE] Sweden 1681

[51] Int. Cl. **D09—08**

[52] U.S. Cl. **D34/38**

[58] Field of Search **D12/53; 108/51.1, 52.1,**
108/53.1, 55.1, 55.3, 57.1

[56] **References Cited**

U.S. PATENT DOCUMENTS

3,157,423 11/1964 Brie, Sr. 108/51.1
3,237,786 3/1966 Milliken 108/55.1

FOREIGN PATENT DOCUMENTS

2713495 9/1978 Fed. Rep. of Germany 108/51.1
1088985 10/1967 United Kingdom 108/51.1

Primary Examiner—James M. Gandy
Attorney, Agent, or Firm—Ostrolenk, Faber, Gerb &
Soffen

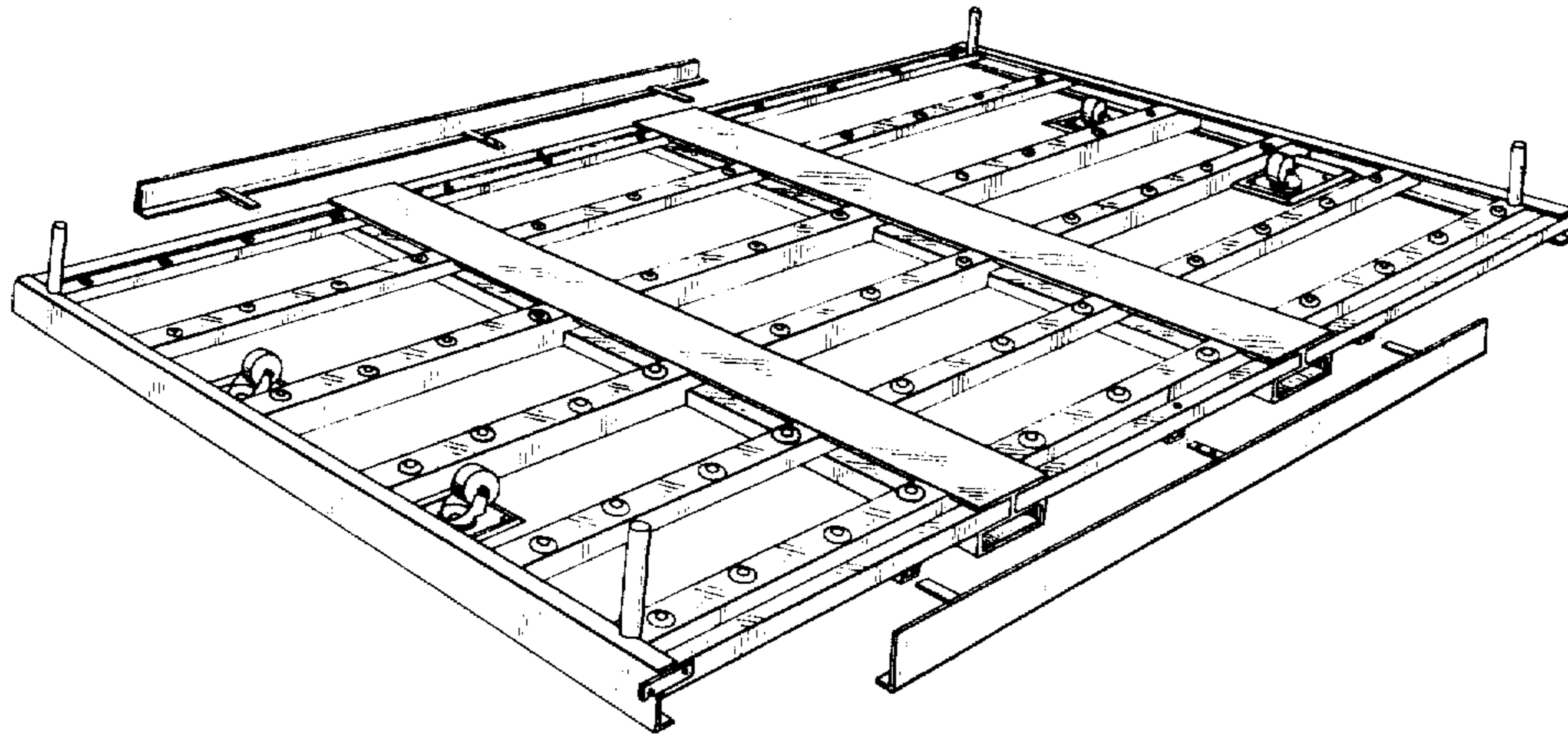
[57] **CLAIM**

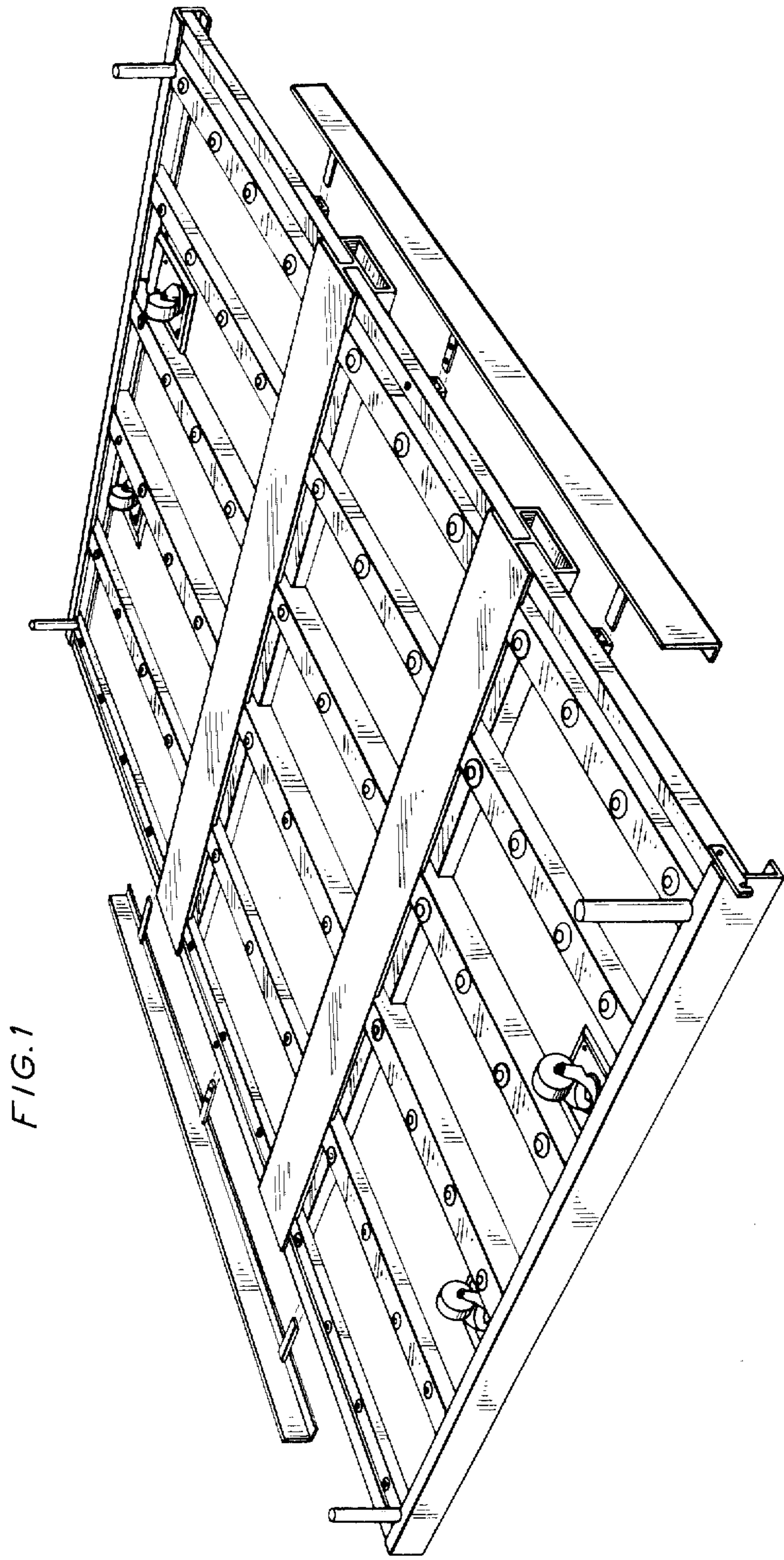
The ornamental design for a pallet, as shown.

DESCRIPTION

FIG. 1 is a top perspective view of a pallet showing my new design with removable lateral guides in exploded condition; and

FIG. 2 is a bottom perspective view with the lateral guides omitted for convenience of illustration.





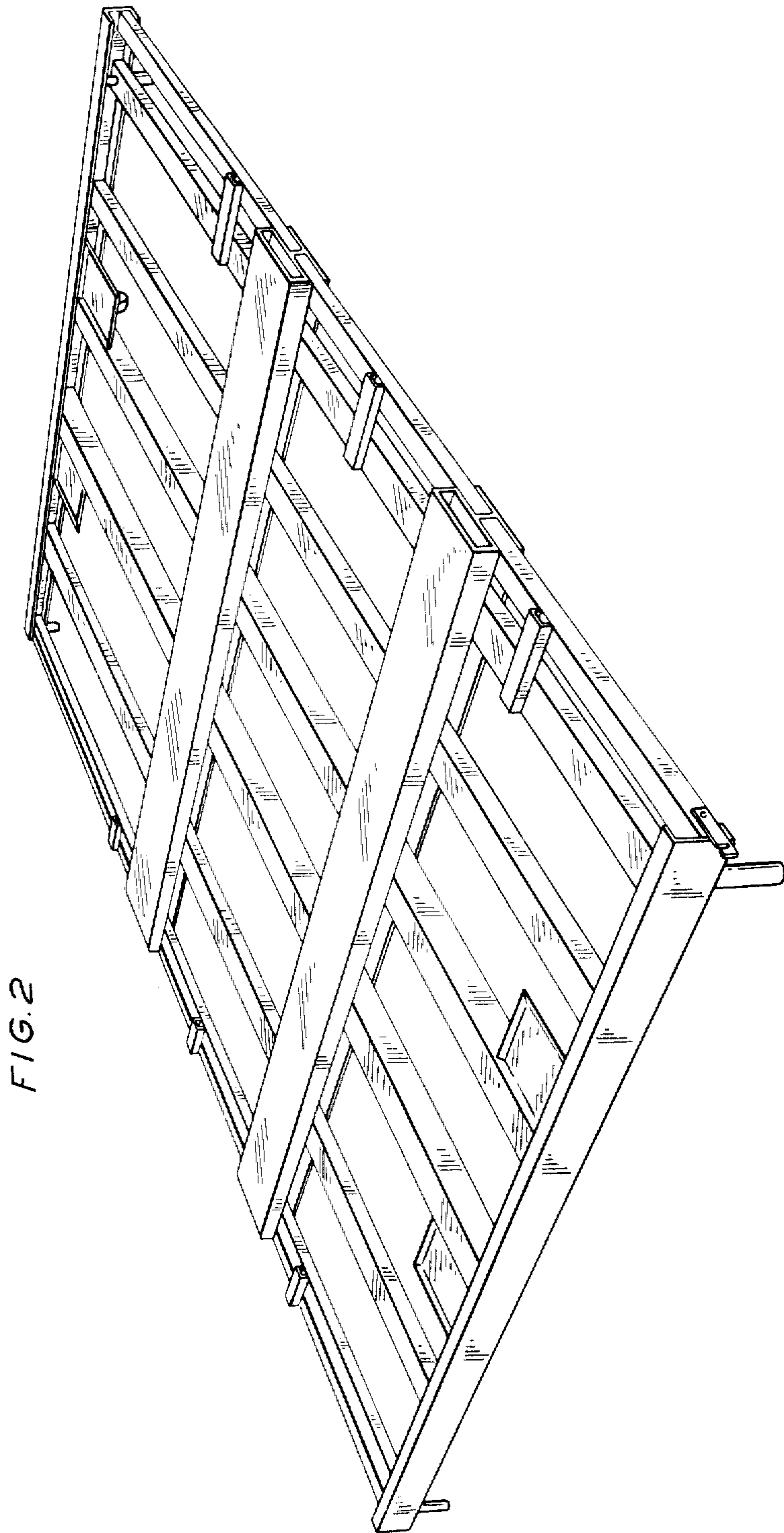


FIG. 2