

[54] SYMMETRICALLY INTERFITTING FRAME

[76] Inventor: Allen M. Kratz, 5400 N.W. 159 St., Miami, Fla. 33014

[\*\*] Term: 14 Years

[21] Appl. No.: 54,038

[22] Filed: Jul. 2, 1979

[51] Int. Cl. .... D11-02

[52] U.S. Cl. .... D11/96; D11/140

[58] Field of Search ..... D11/79, 81, 96, 99, D11/125, 140, 141; D21/106, 107, 115, 119, 241; D26/94; D99/25; 46/17, 27, 28, 29; 273/153 P, 158, 161

[56] References Cited

U.S. PATENT DOCUMENTS

D. 181,497 11/1957 Sly ..... D11/141

D. 242,363 11/1976 De Sena ..... D99/25  
3,695,617 10/1972 Mogilner et al. .... 46/29

OTHER PUBLICATIONS

The Washington Star, Jul. 31, 1977, pp. C-1 and C-8, pyramid in upper center of p. c-1.

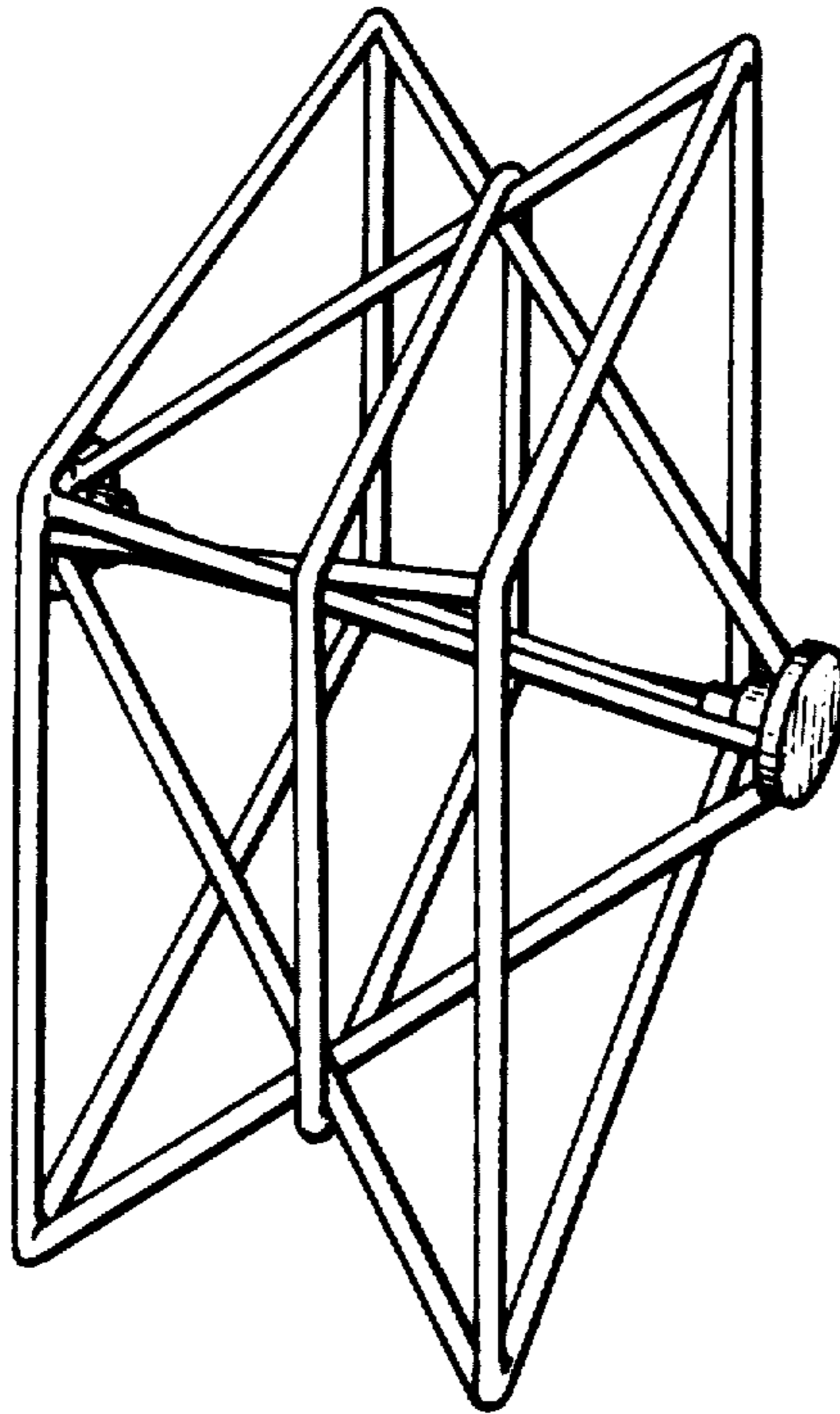
Primary Examiner—Leland A. Sebastian  
Attorney, Agent, or Firm—Ernest H. Schmidt

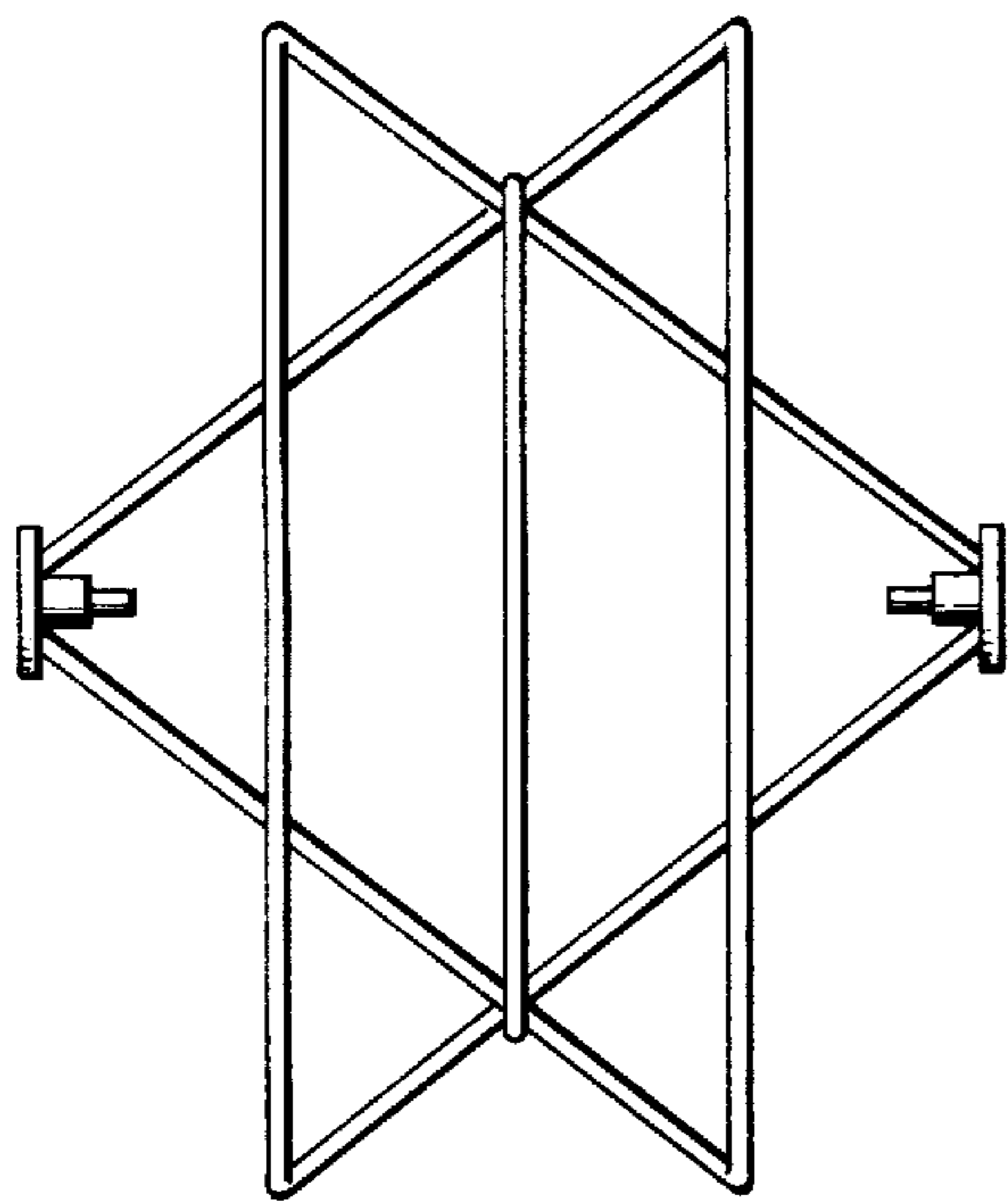
[57] CLAIM

The ornamental design for a symmetrically interfitting frame, as shown and described.

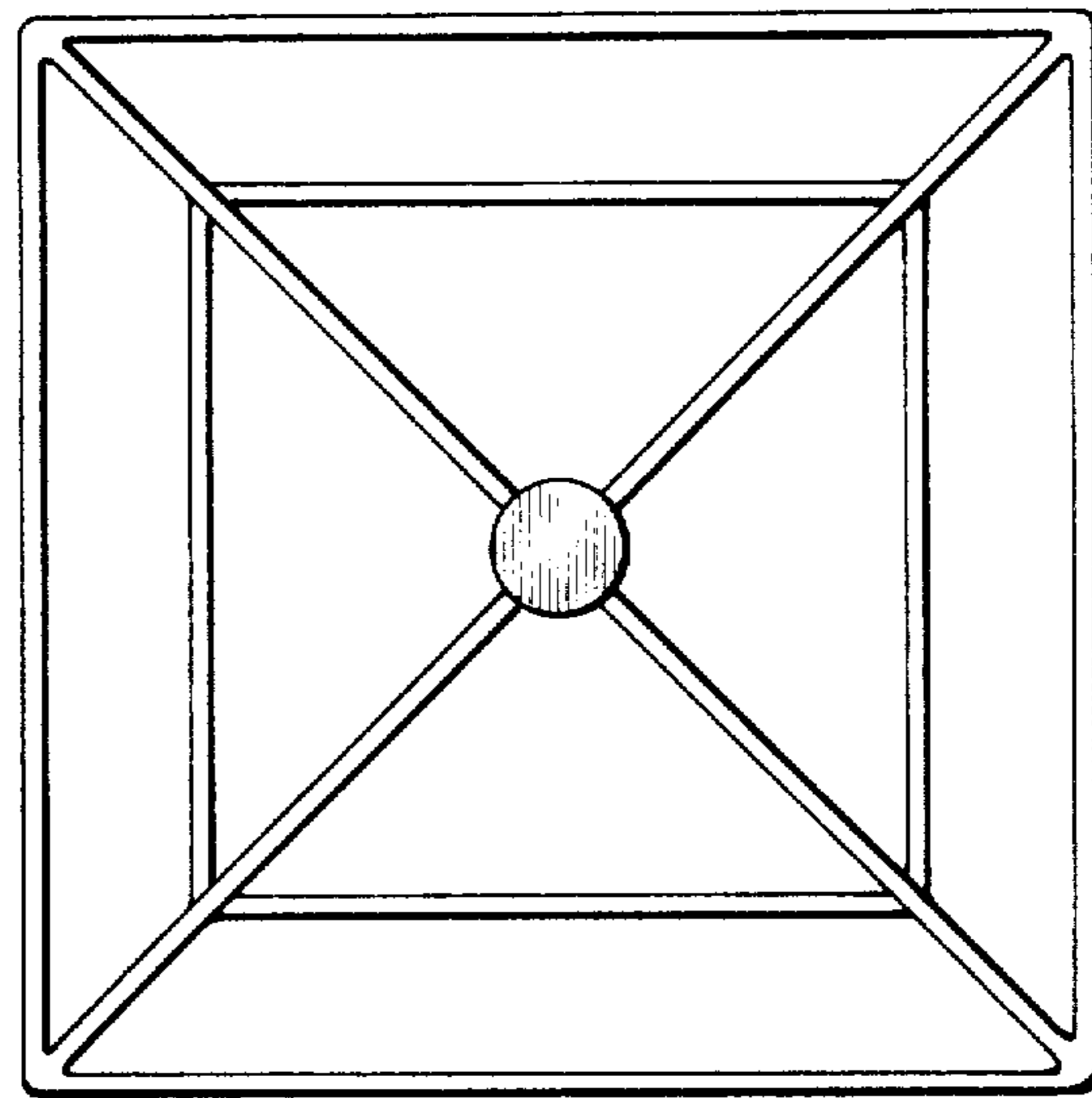
DESCRIPTION

FIG. 1 is a side elevational view of a symmetrically interfitting frame showing my new design; FIG. 2 is a top plan view thereof, the opposite side being identical; and FIG. 3 is a perspective view thereof.

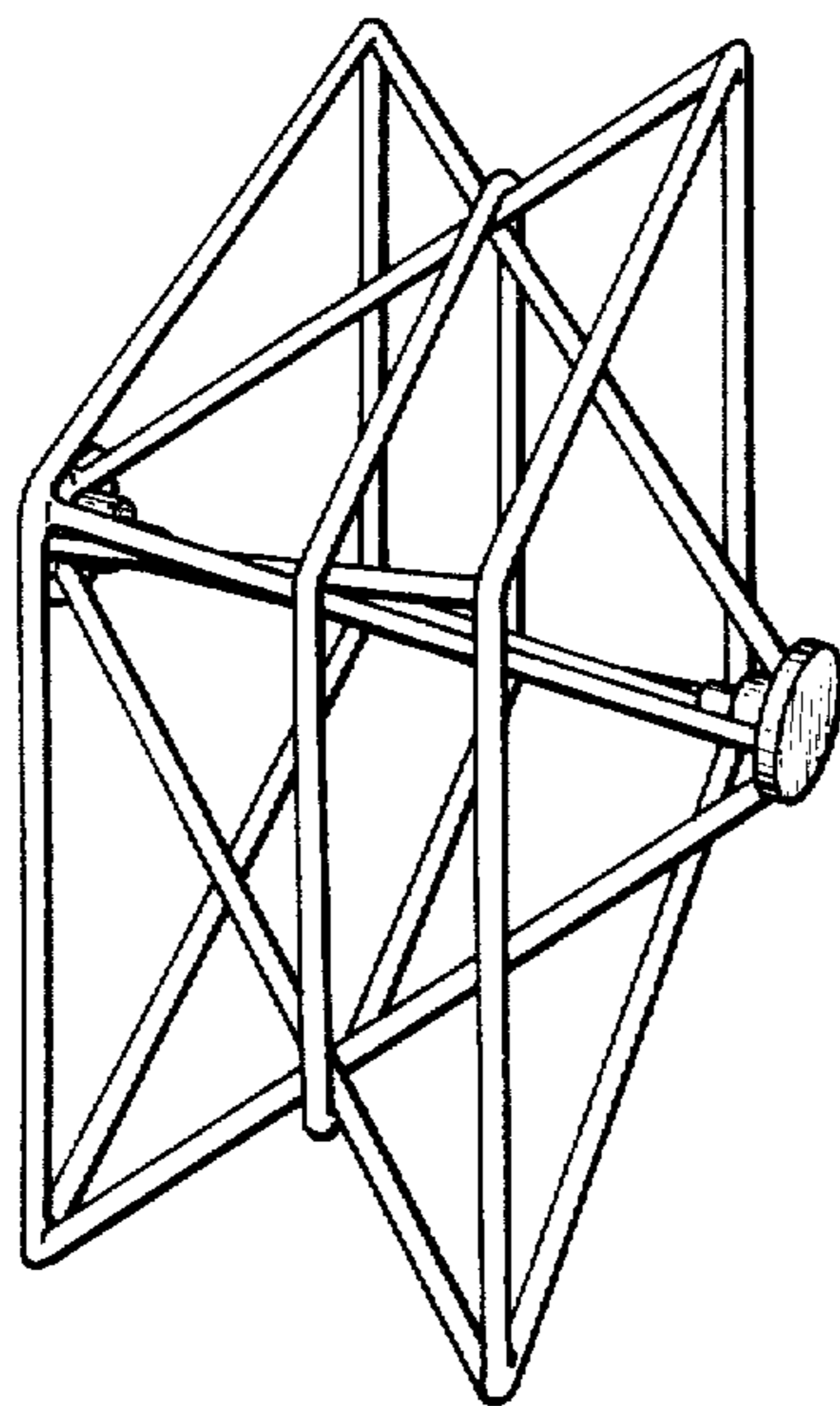




*Fig. 1*



*Fig. 2*



*Fig. 3*