

[54] INFRARED INTRUSION DETECTION SYSTEM HOUSING

[75] Inventors: John K. Guscott, Lynnfield; H. Patrick Thornton, Acton, both of Mass.

[73] Assignee: American District Telegraph Company, New York, N.Y.

[\*\*] Term: 14 Years

[21] Appl. No.: 102,734

[22] Filed: Dec. 12, 1979

[51] Int. Cl. .... D10-05

[52] U.S. Cl. .... D10/106

[58] Field of Search ..... D10/106, 121; 340/541, 340/546; 250/336 T

[56]

References Cited

U.S. PATENT DOCUMENTS

D. 218,652	9/1970	Podall	.....	D10/106
3,831,157	8/1974	Wiegand	.....	340/539
4,004,228	1/1977	Mullett	.....	340/539 X
4,266,216	5/1981	Trusty	.....	340/546

Primary Examiner—A. Hugo Word  
Attorney, Agent, or Firm—Weingarten, Schurgin & Gagnebin

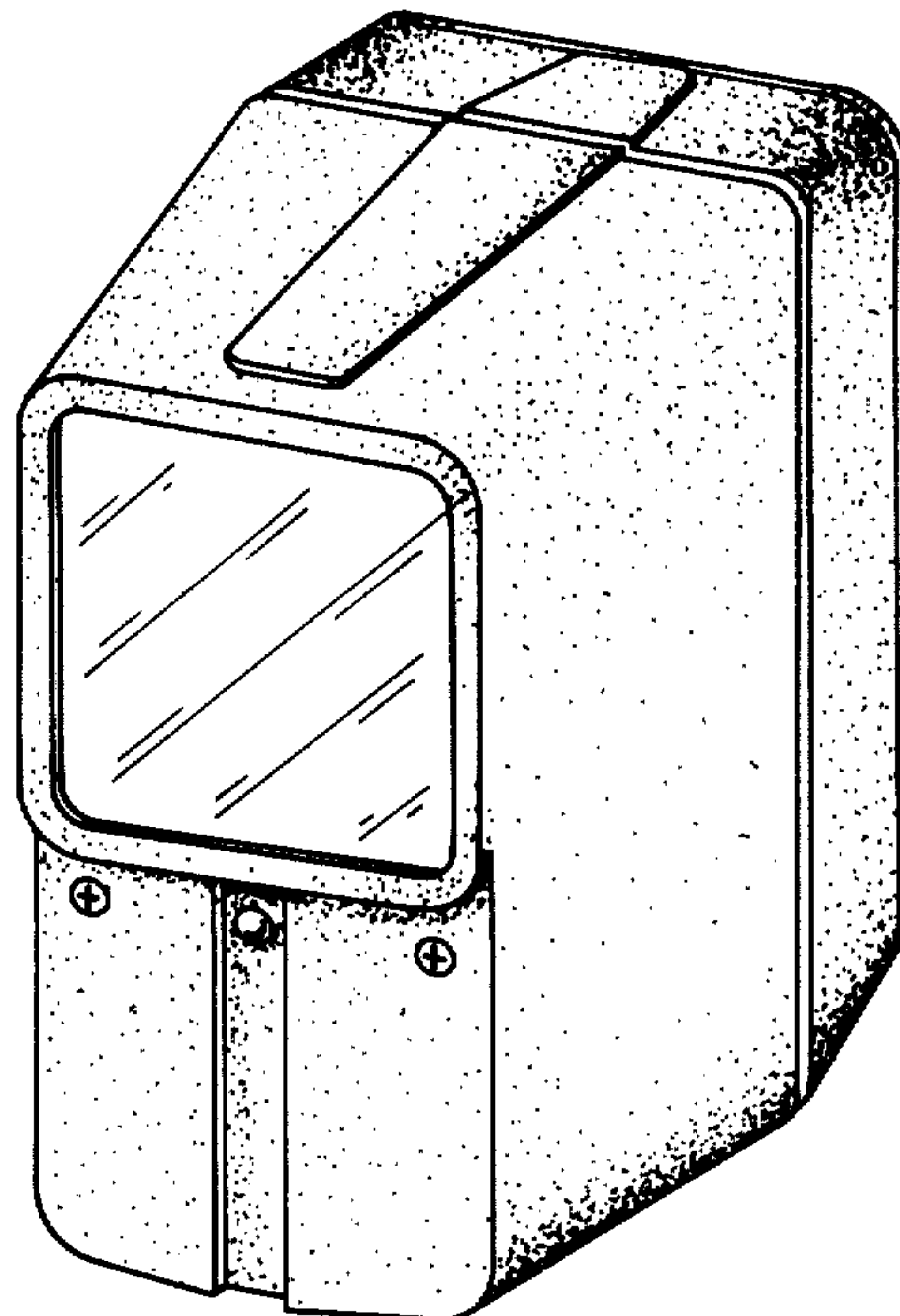
[57]

CLAIM

The ornamental design for an infrared intrusion detection system housing, as shown.

DESCRIPTION

FIG. 1 is a perspective view;  
FIG. 2 is a front view;  
FIG. 3 is a back view;  
FIG. 4 is a side view;  
FIG. 5 is a top view; and  
FIG. 6 is a bottom view.



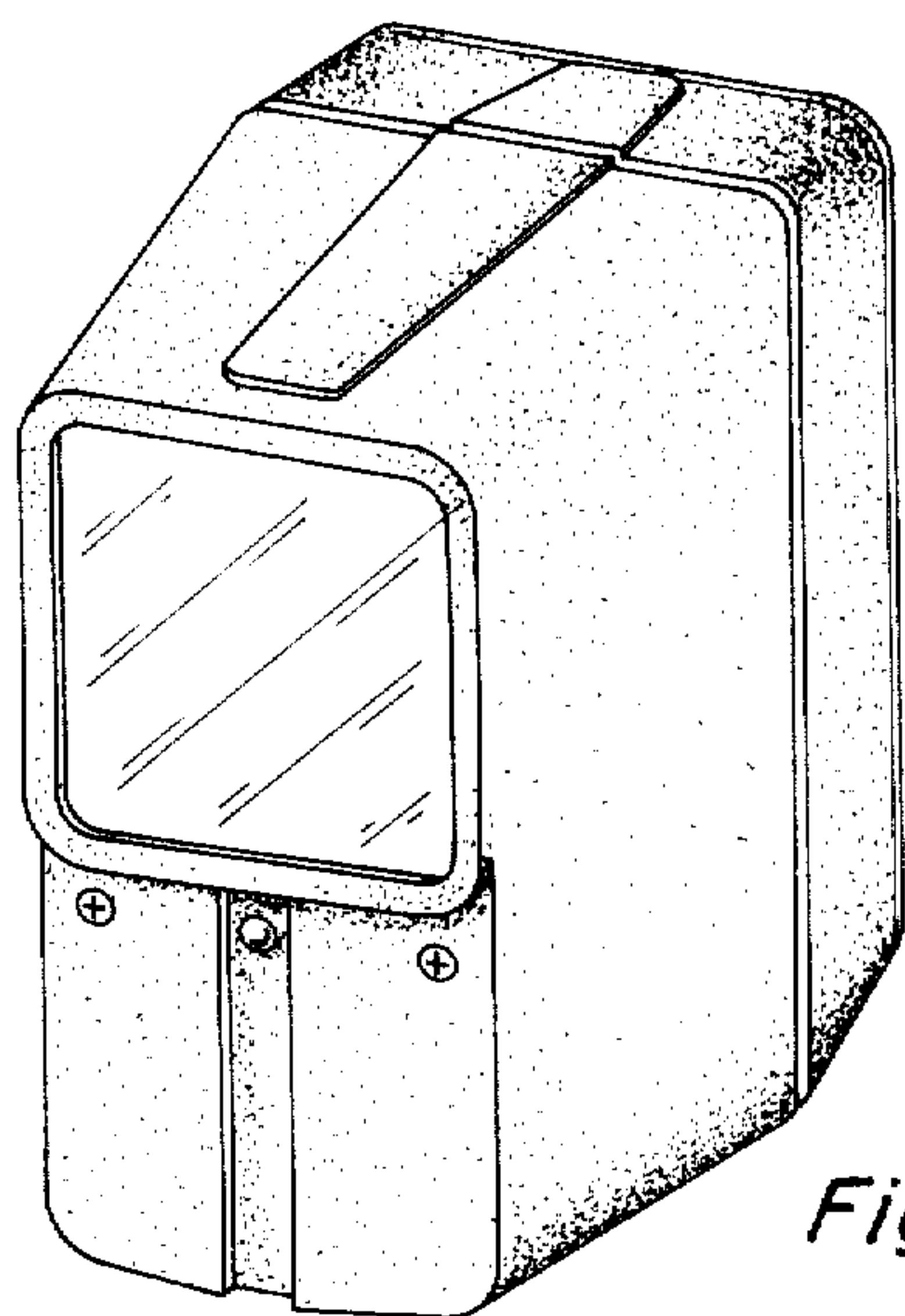


Fig. 1

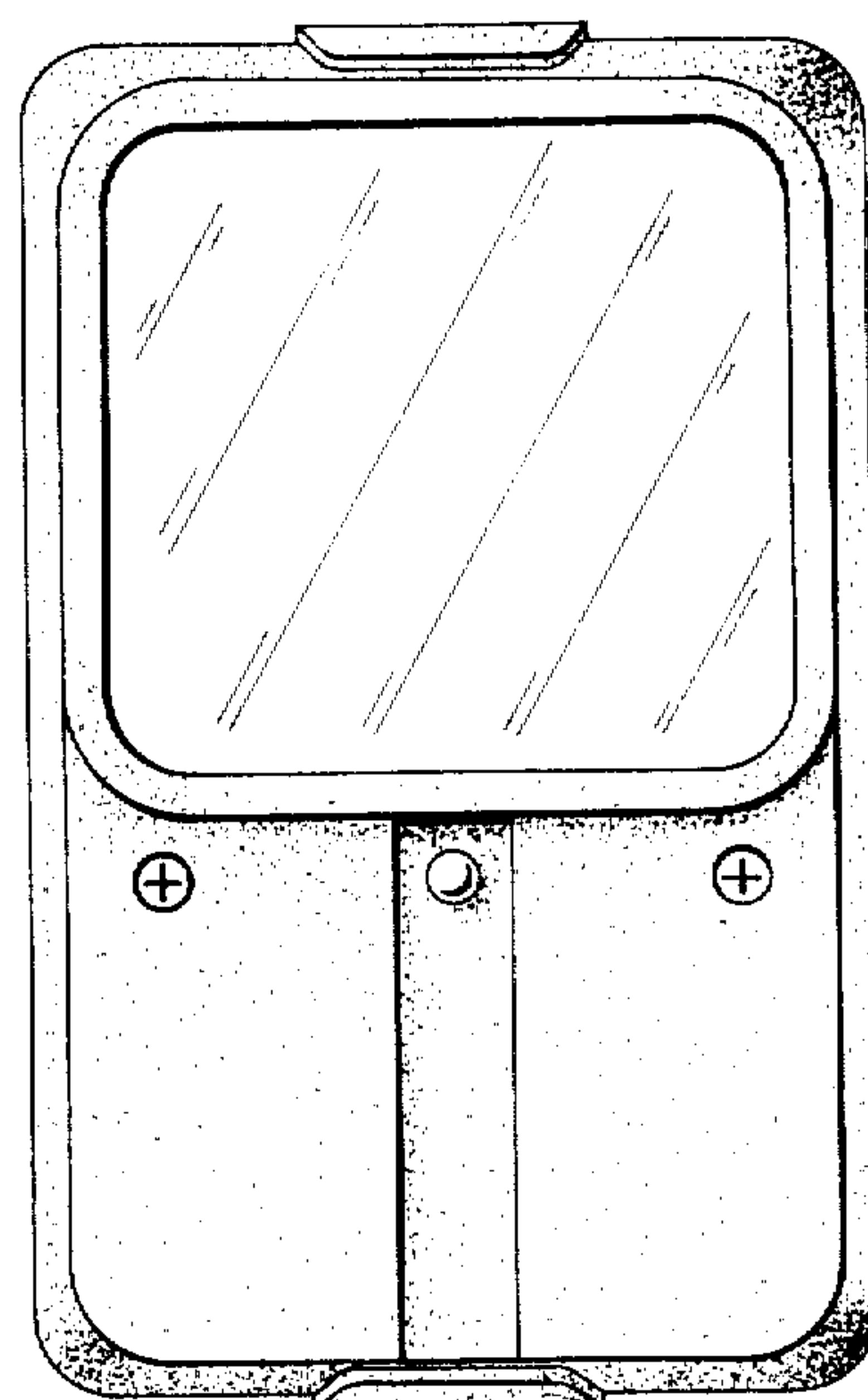


Fig. 2

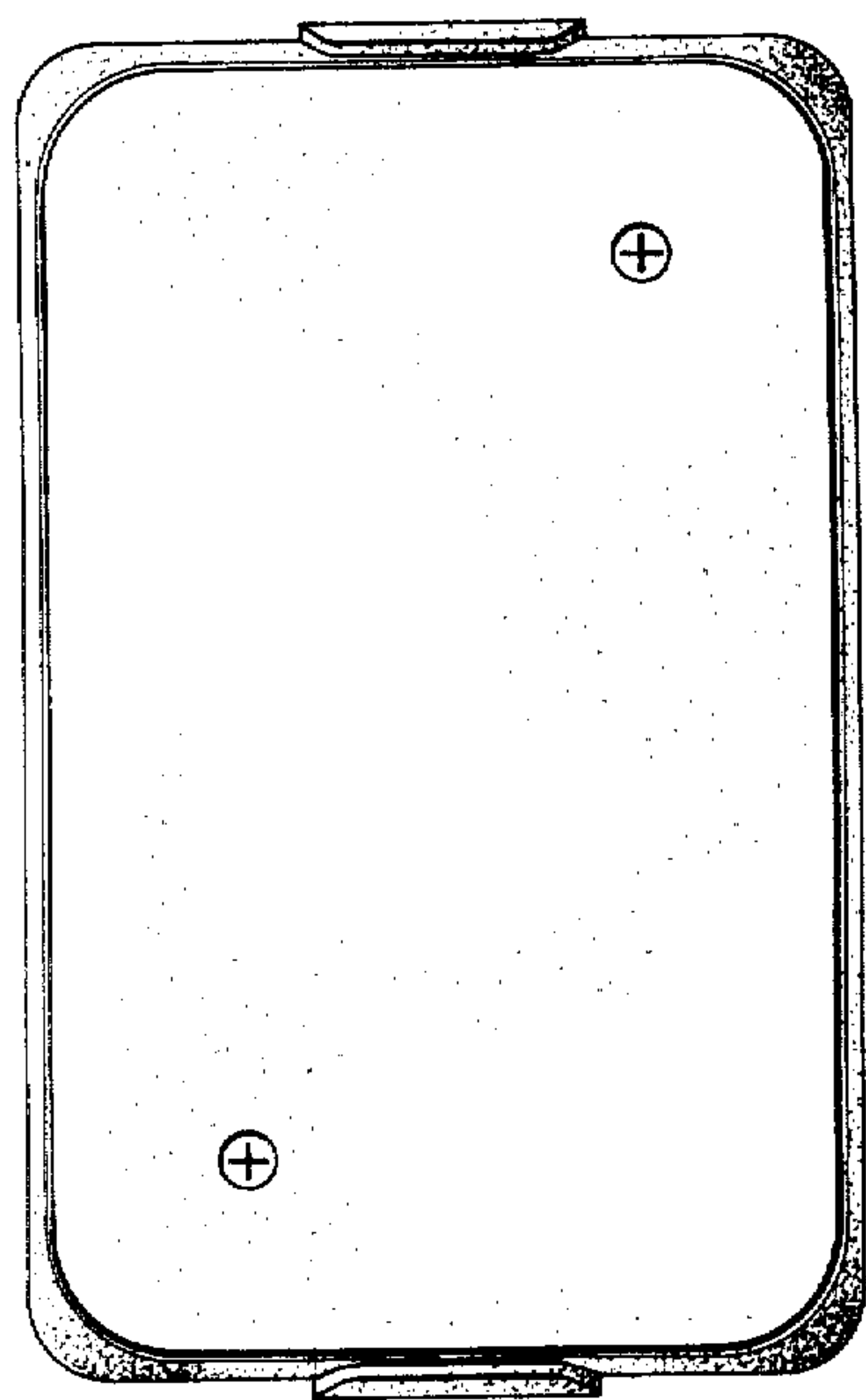


Fig. 3

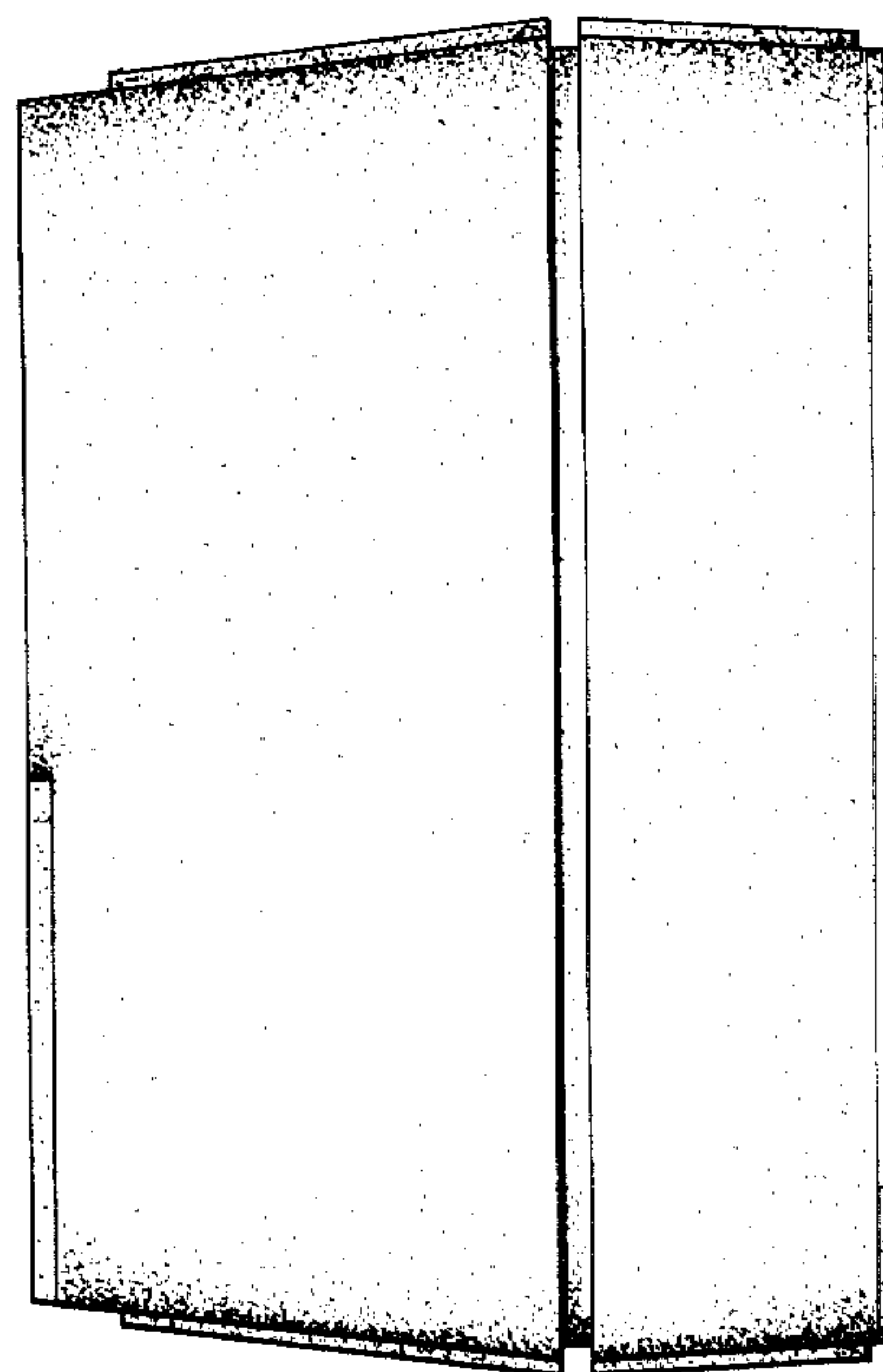


Fig. 4

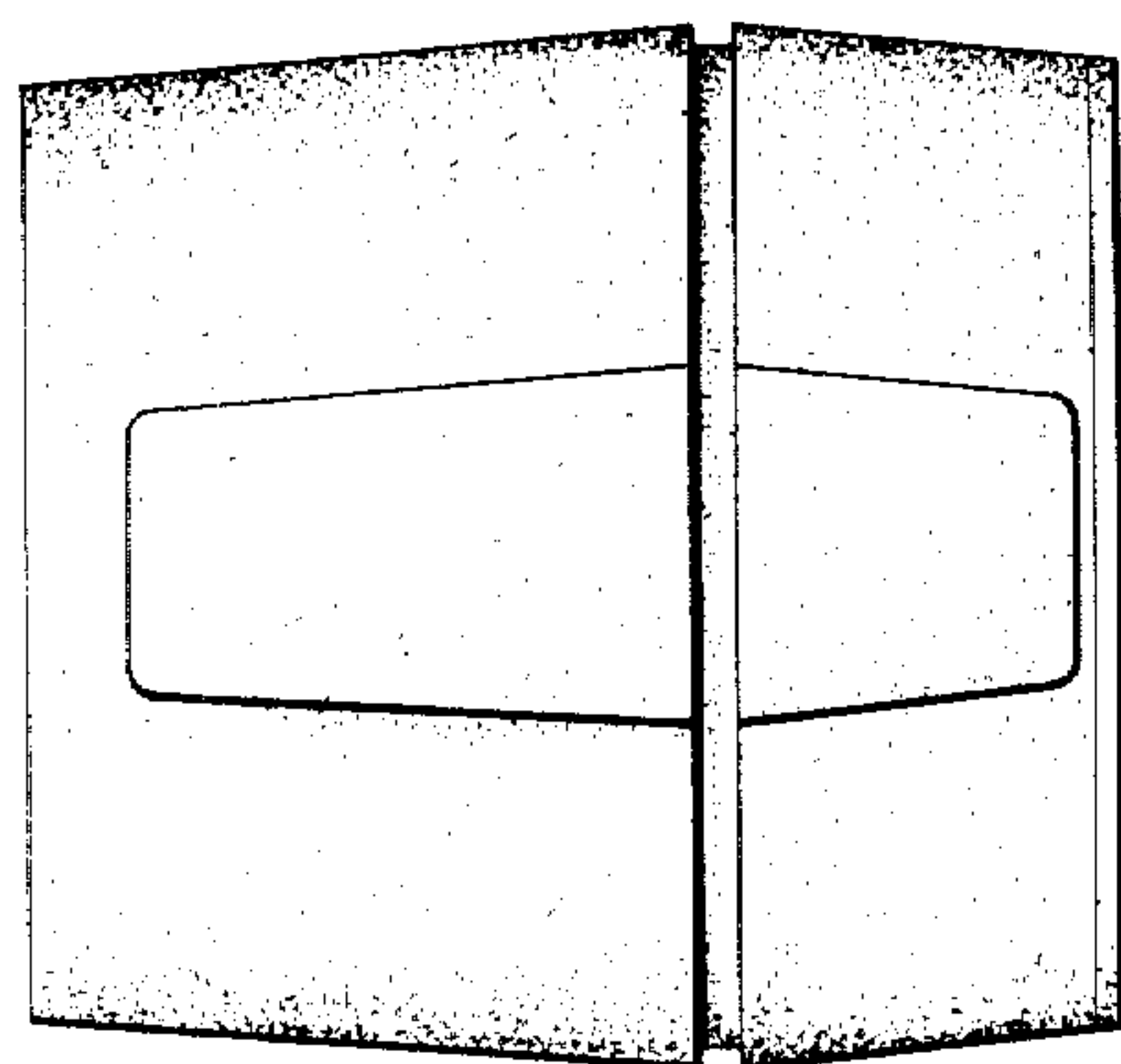


Fig. 5

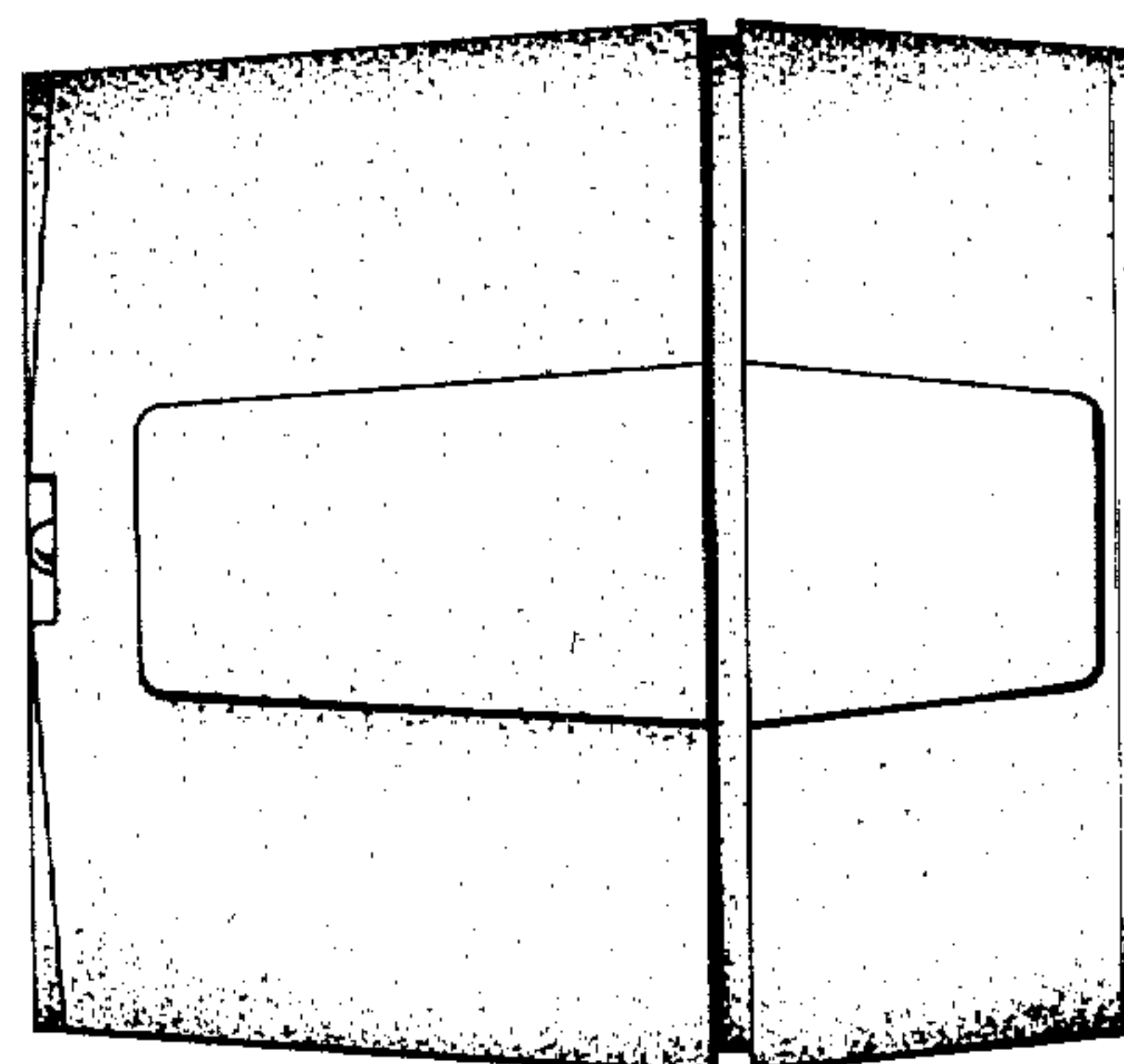


Fig. 6