

[54] STEAM EXHAUST VALVE WITH TIMER FOR PRESSURE COOKERS

[75] Inventor: Bernard Loiseau, Dijon, France

[73] Assignee: SEB, Selongey, France

[\*\*] Term: 14 Years

[21] Appl. No.: 117,481

[22] Filed: Feb. 1, 1980

[51] Int. Cl. .... D10-03

[52] U.S. Cl. .... D10/40; 126/369; D7/129

[58] Field of Search ..... D10/40; D7/129; D13/32; 126/369

[56] References Cited

U.S. PATENT DOCUMENTS

- D. 49,436 7/1916 Mapel ..... D10/40
- D. 51,271 9/1917 Thomas ..... D13/32

- D. 93,882 11/1934 Nelson ..... D7/86
- D. 99,584 5/1936 Nelson ..... D7/86
- 1,958,590 5/1934 Peirce ..... 126/369
- 2,200,903 5/1940 Stephens ..... D7/129
- 3,592,668 3/1968 Denk ..... 126/369

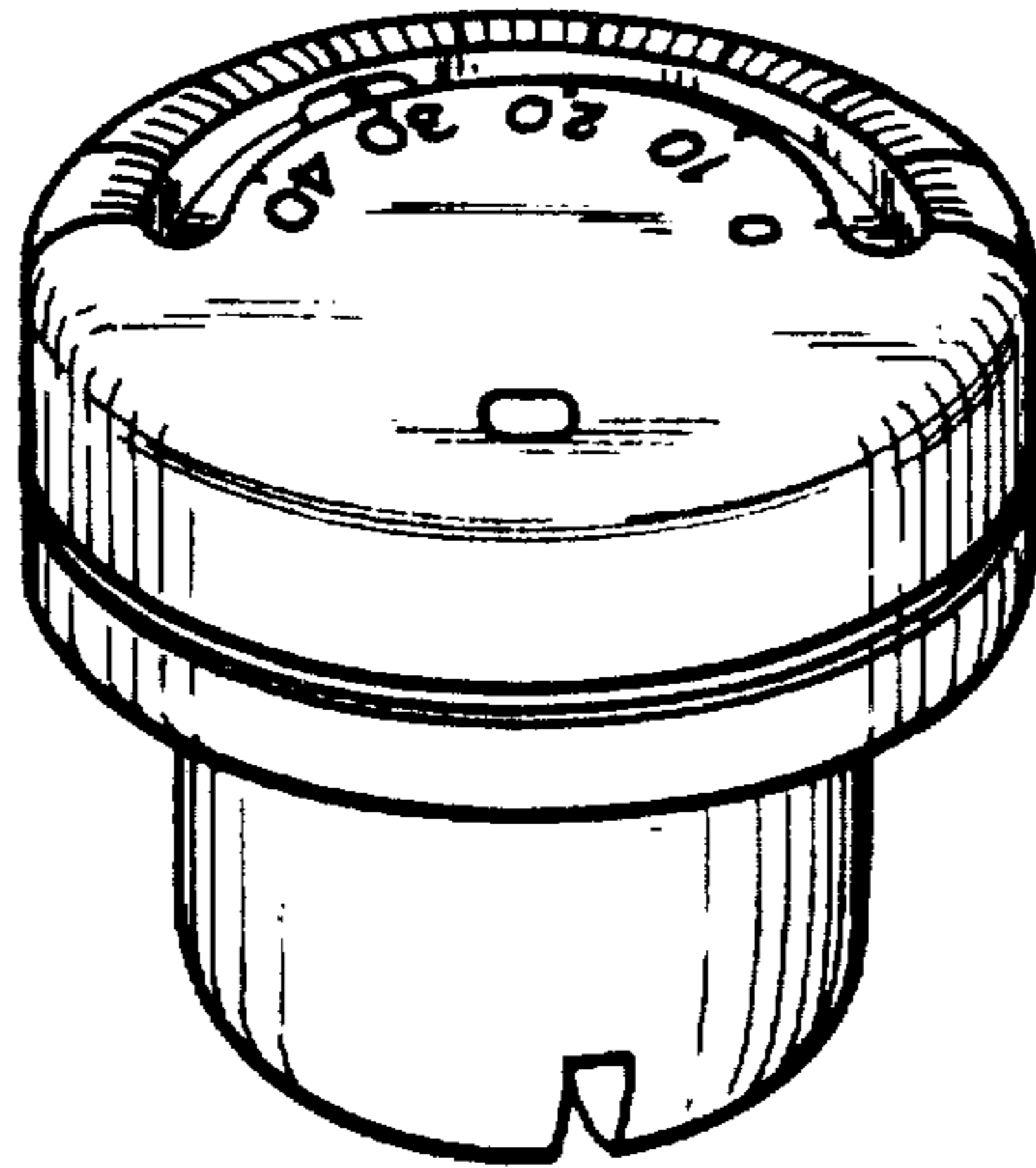
Primary Examiner—Veronica O'Keefe  
Attorney, Agent, or Firm—Young & Thompson

[57] CLAIM

The ornamental design for a steam exhaust valve with timer for pressure cookers, as shown.

DESCRIPTION

FIG. 1 is a front elevational view of an exhaust valve with timer, showing my new design,  
 FIG. 2 is a side view thereof, the opposite side being identical,  
 FIG. 3 is a front elevational view thereof, showing the side opposite to FIG. 1,  
 FIG. 4 is a top plan view thereof,  
 FIG. 5 is a bottom plan view thereof,  
 FIG. 6 is a top perspective view thereof.



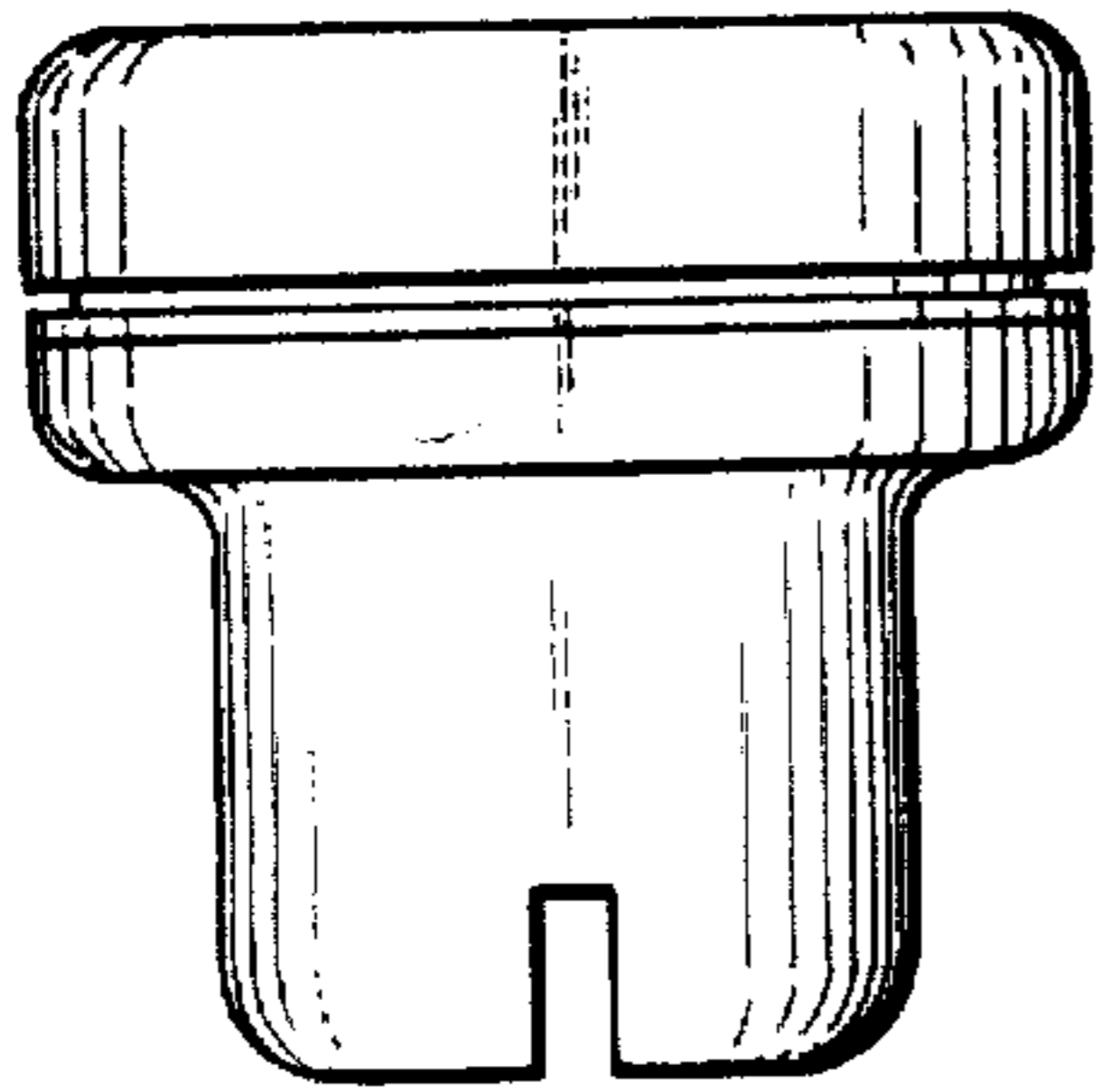


FIG. 1

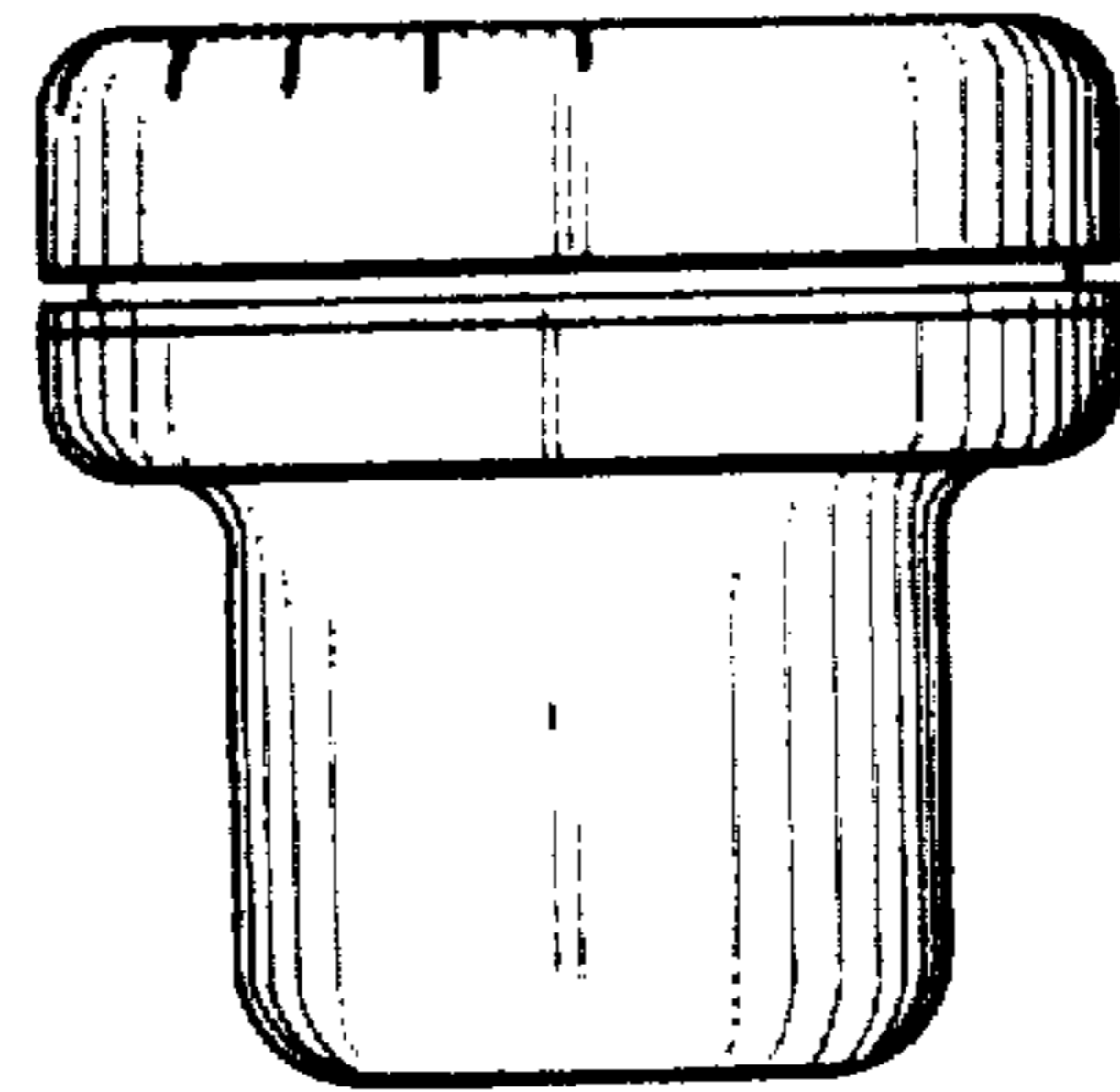


FIG. 2

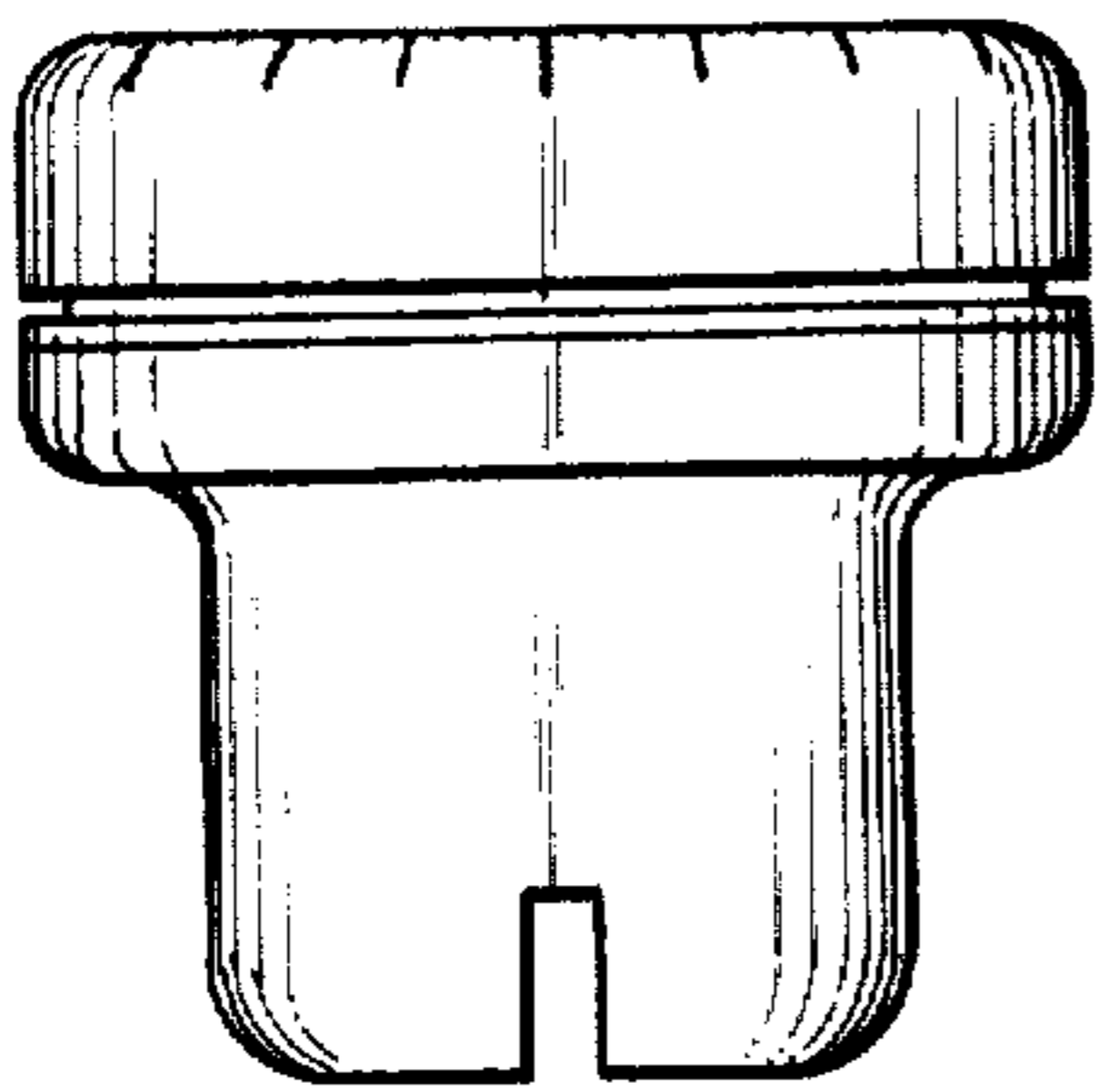


FIG. 3

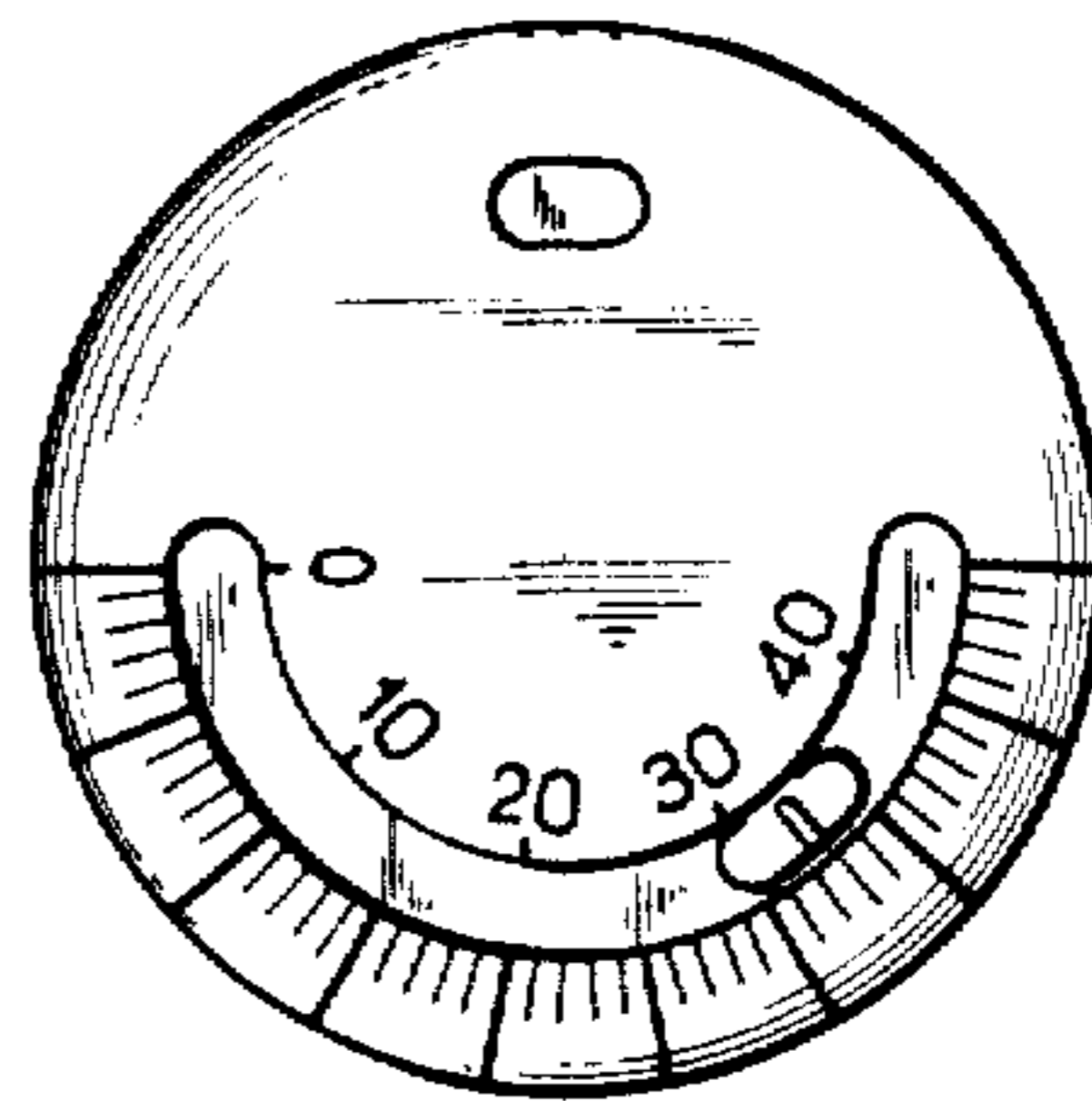


FIG. 4

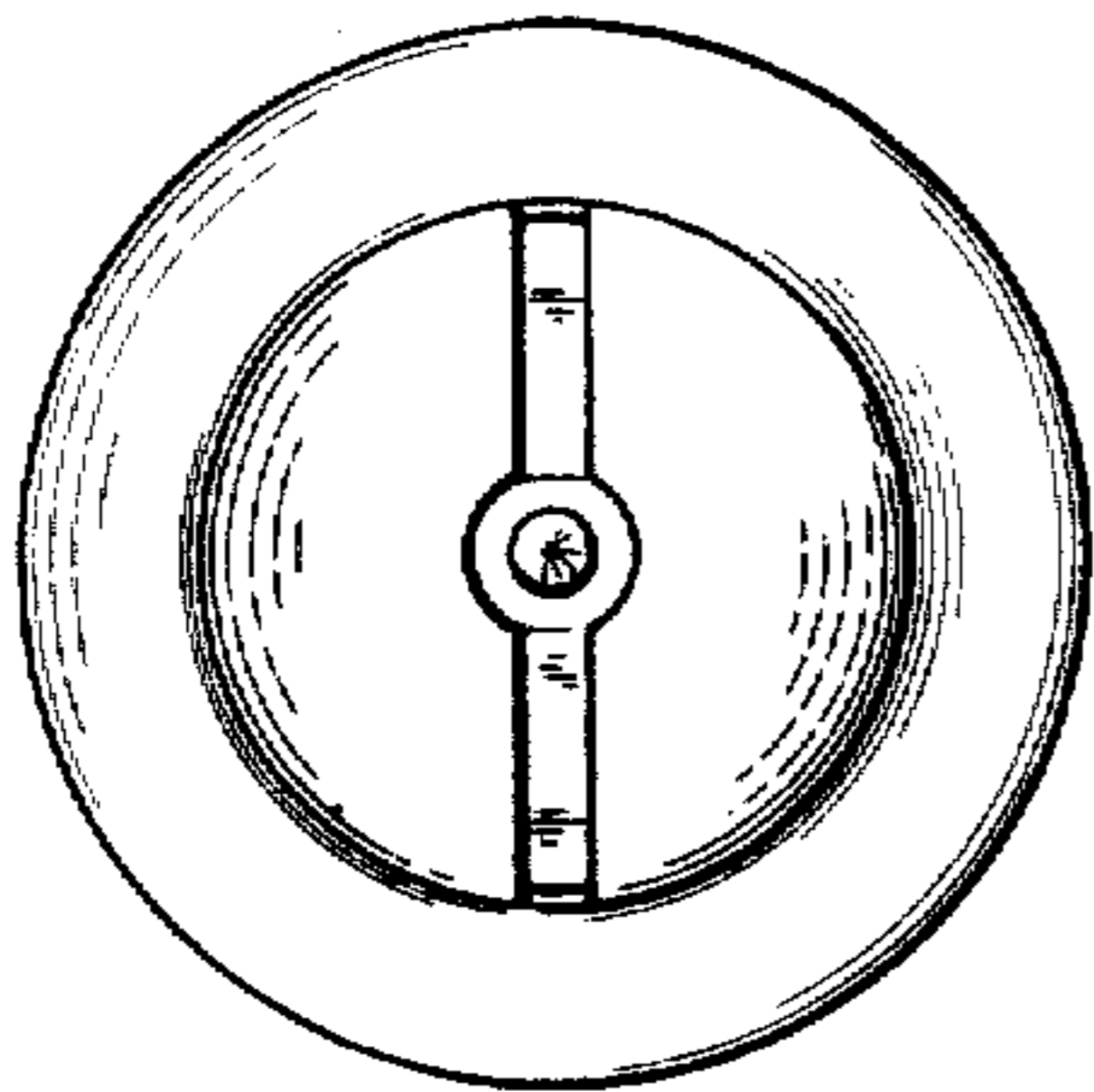


FIG. 5

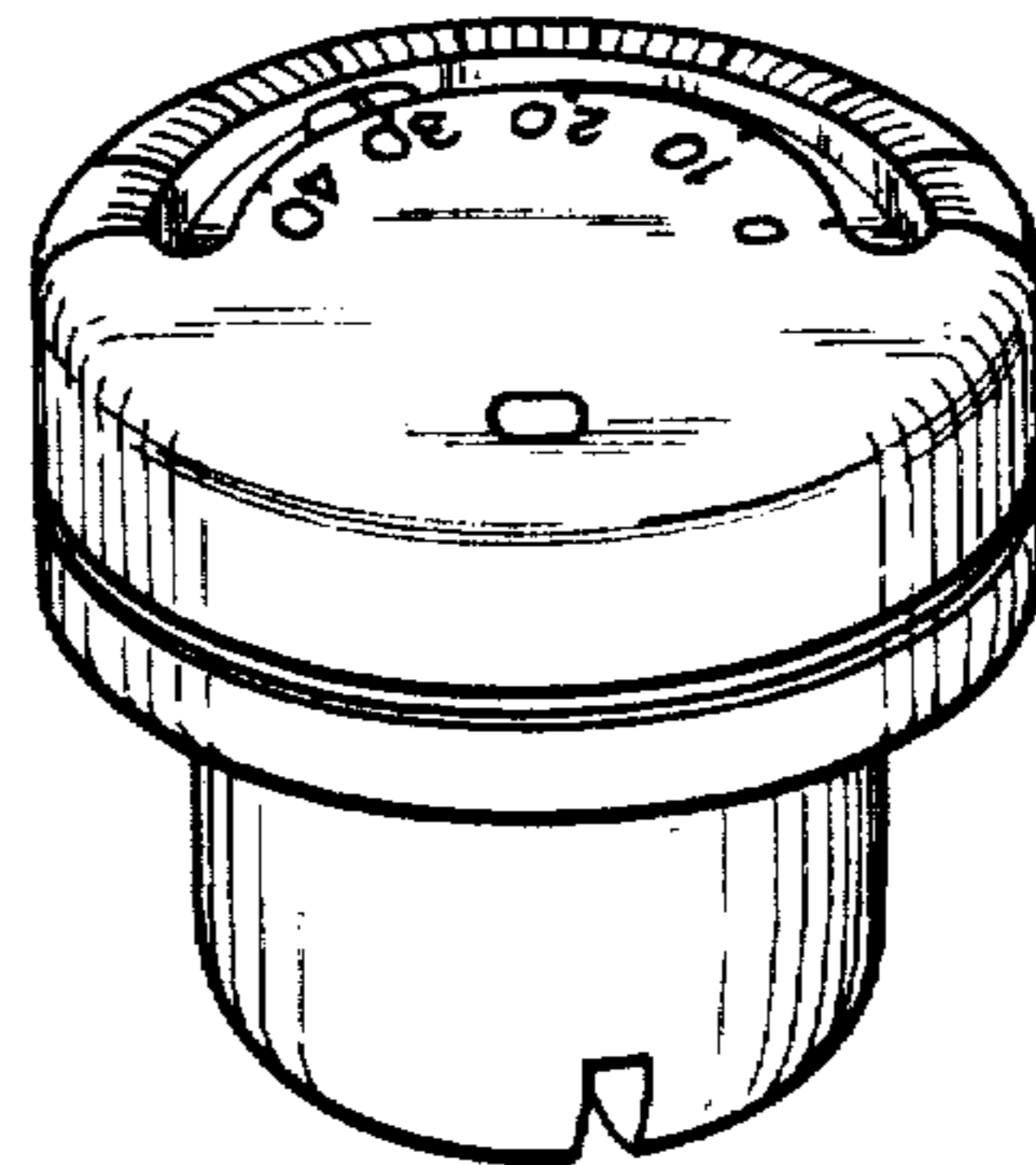


FIG. 6

UNITED STATES PATENT AND TRADEMARK OFFICE  
**CERTIFICATE OF CORRECTION**

PATENT NO. : Des. 264,316  
DATED : May 11, 1982  
INVENTOR(S) : BERNARD LOISEAU

It is certified that error appears in the above—identified patent and that said Letters Patent is hereby corrected as shown below:

On the title page, insert the following:

--[30] Foreign Application Priority Data

August 13, 1979 France ..... 166--.

**Signed and Sealed this**  
*Twenty-fourth Day of August 1982*

[SEAL]

*Attest:*

*Attesting Officer*

**GERALD J. MOSSINGHOFF**

*Commissioner of Patents and Trademarks*