

[54] **PIEZOELECTRICALLY IGNITED PORTABLE PROPANE GAS HAND TORCH**

[76] Inventor: **Harry C. Miller**, One Security Dr., Nicholasville, Ky. 40356

[**] Term: **14 Years**

[21] Appl. No.: **132,688**

[22] Filed: **Mar. 21, 1980**

[51] Int. Cl. **D8-05**

[52] U.S. Cl. **D8/30**

[58] Field of Search **D8/30; 431/345, 353, 431/354, 263, 264, 265, 256**

[56] **References Cited**

U.S. PATENT DOCUMENTS

- D. 212,287 9/1968 Deucher D8/30
- D. 227,337 6/1973 Bowman D8/30

Primary Examiner—James M. Gandy
Attorney, Agent, or Firm—Mason, Fenwick & Lawrence

[57] **CLAIM**

The ornamental design for a piezoelectrically ignited portable propane gas hand torch, as shown and described.

DESCRIPTION

FIG. 1 is a perspective view of a piezoelectrically ignited portable propane gas hand torch, embodying my new design;

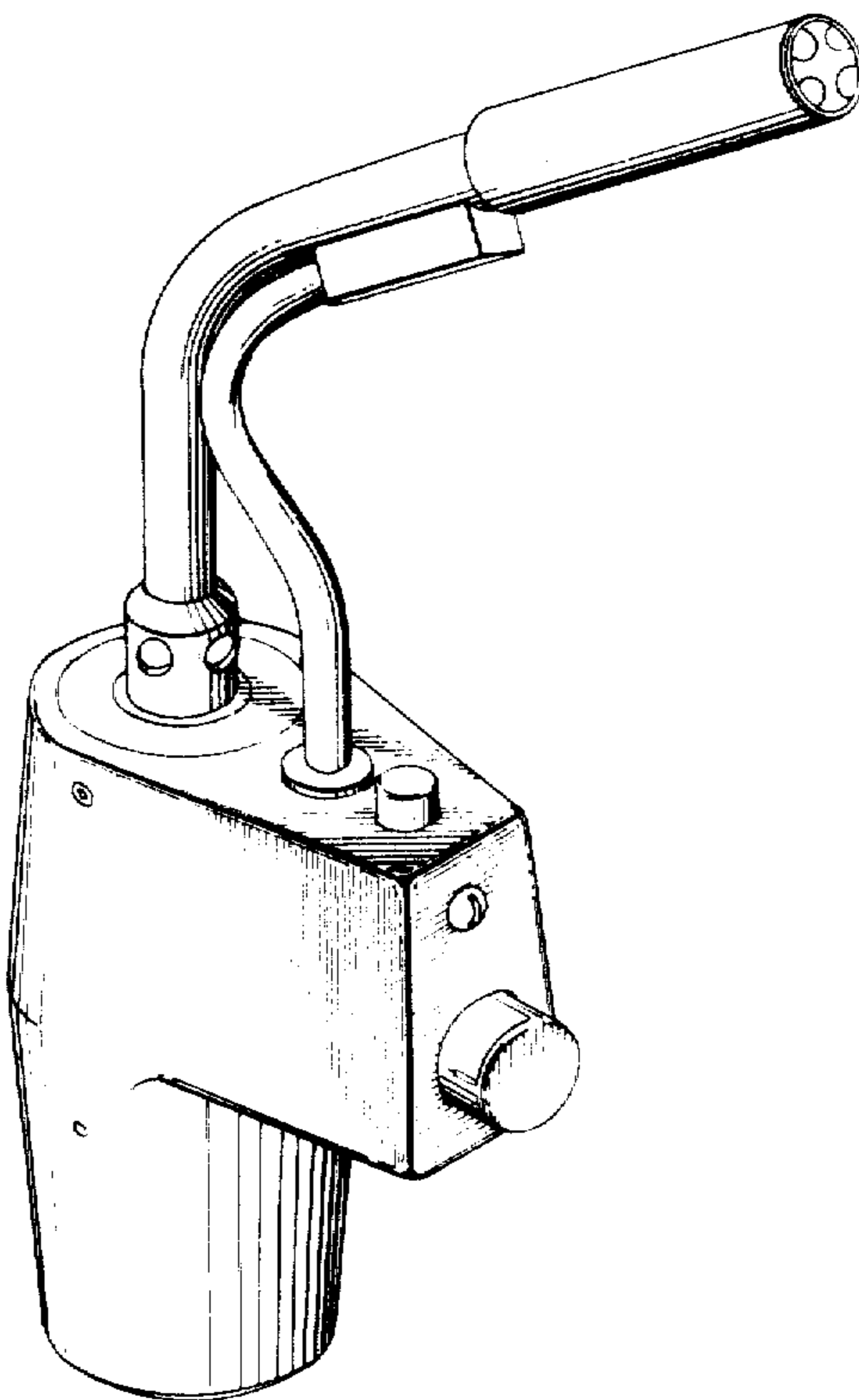
FIG. 2 is a top plan view thereof;

FIG. 3 is a side elevation view thereof;

FIG. 4 is an end elevation view thereof, viewed from the left of FIG. 3;

FIG. 5 is an end elevation view thereof, viewed from the right of FIG. 3; and

FIG. 6 is a bottom plan view thereof.



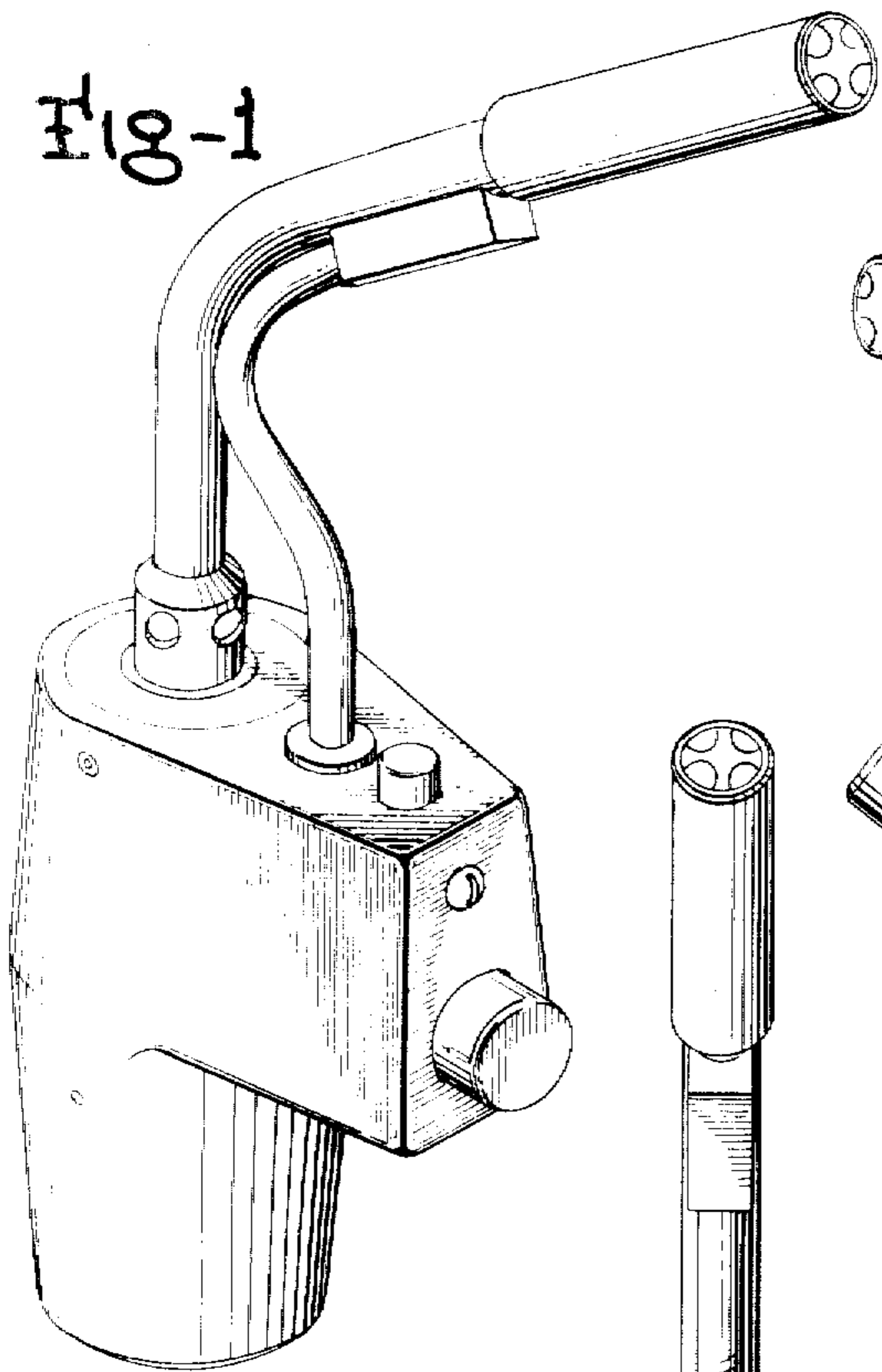


Fig-1

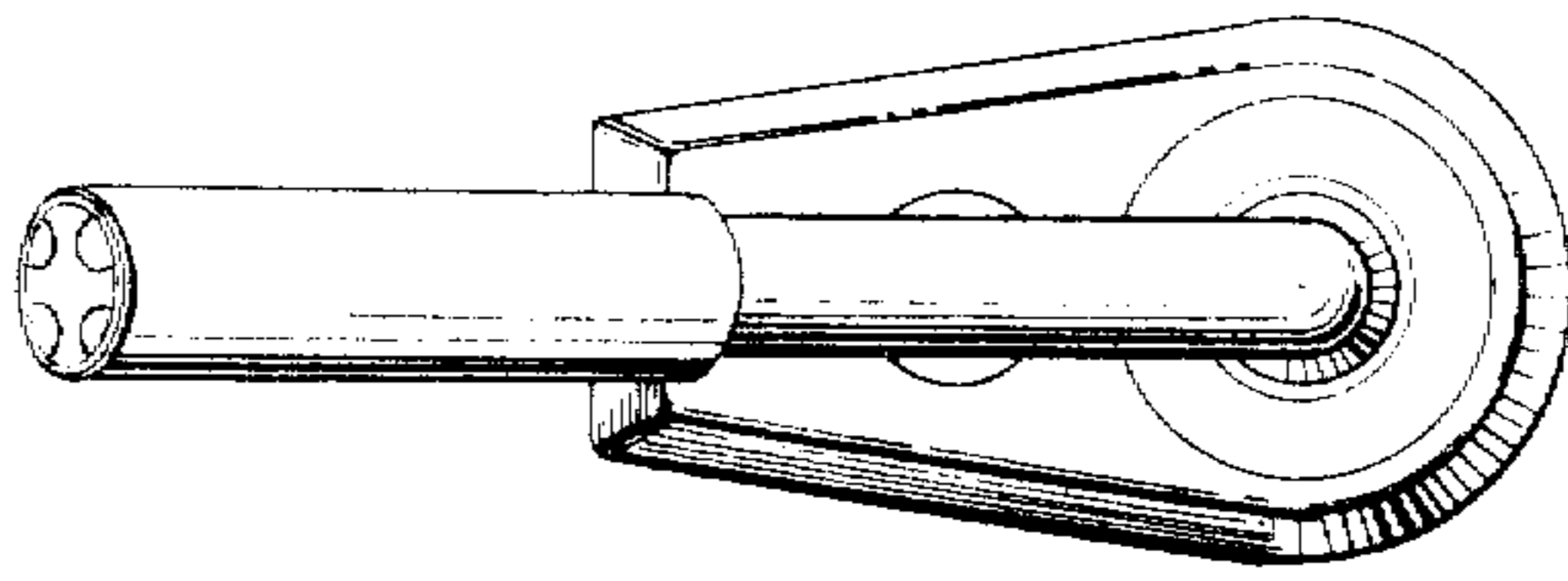


Fig-2

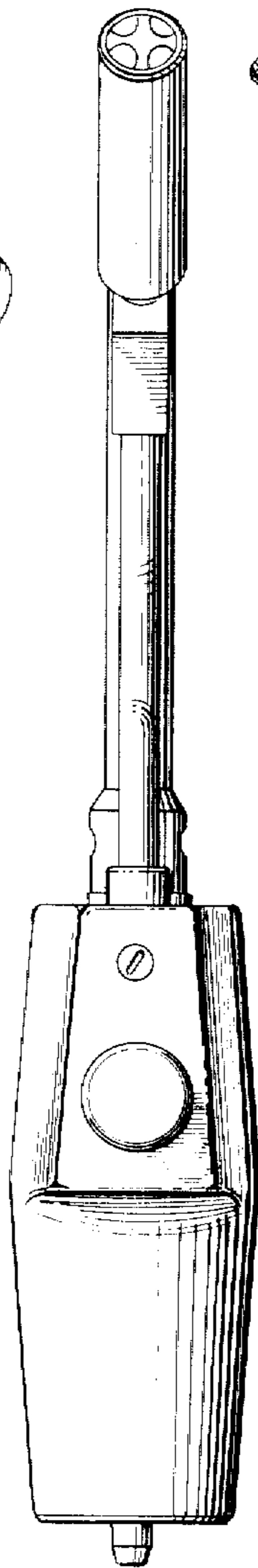


Fig-4

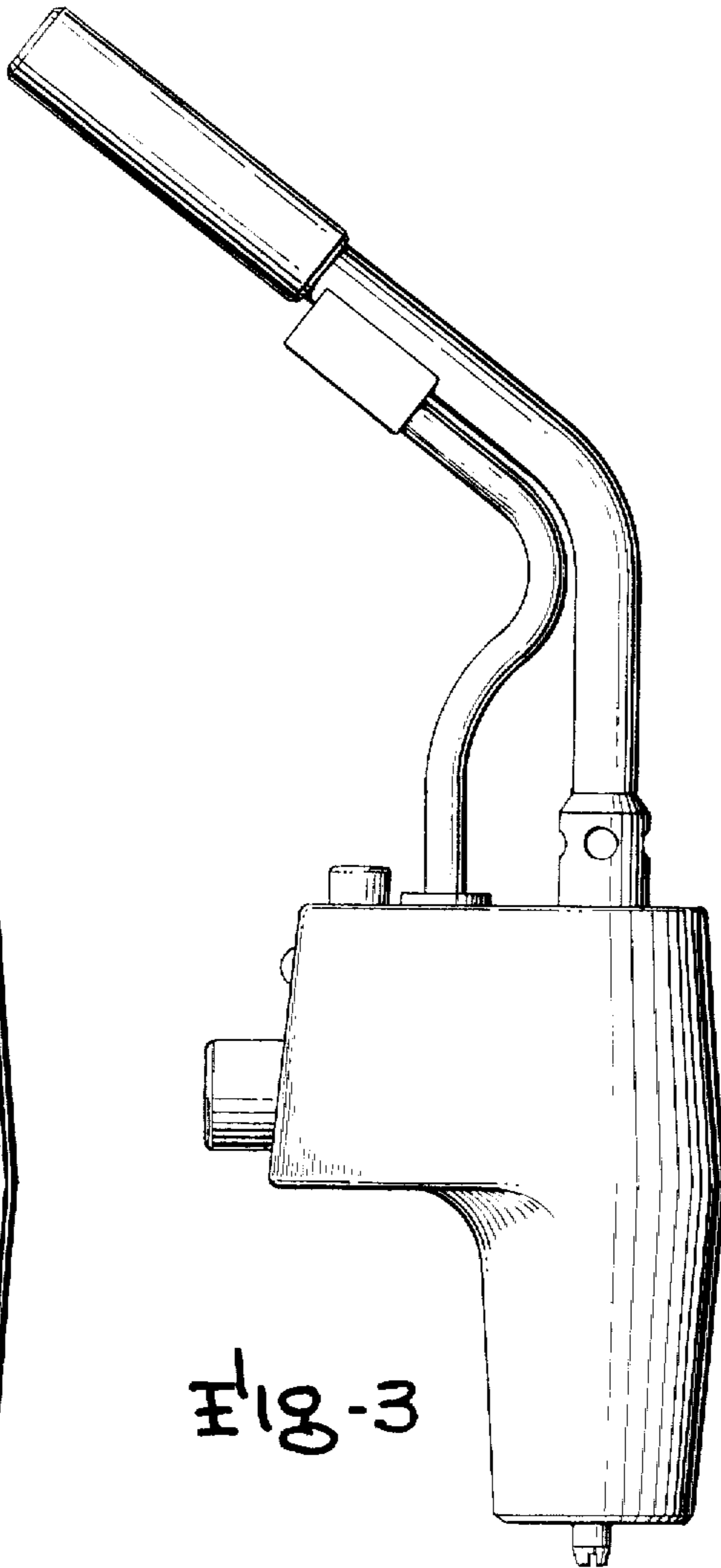


Fig-3

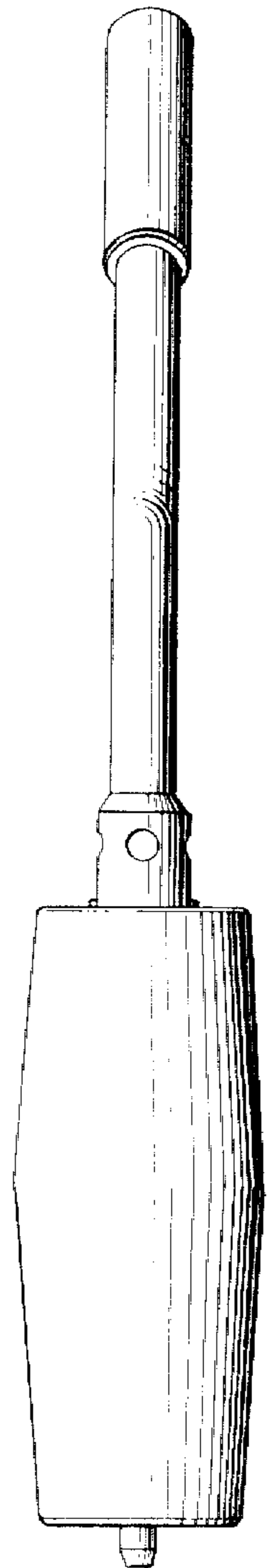


Fig-5

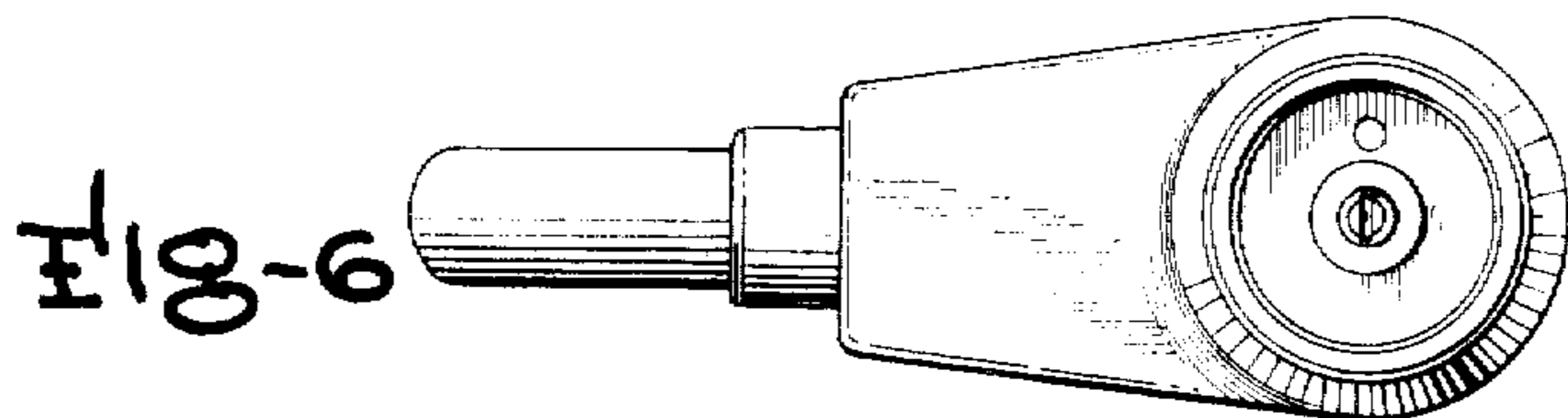


Fig-6